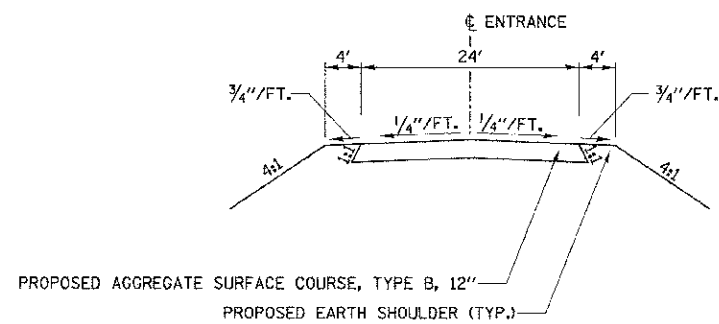
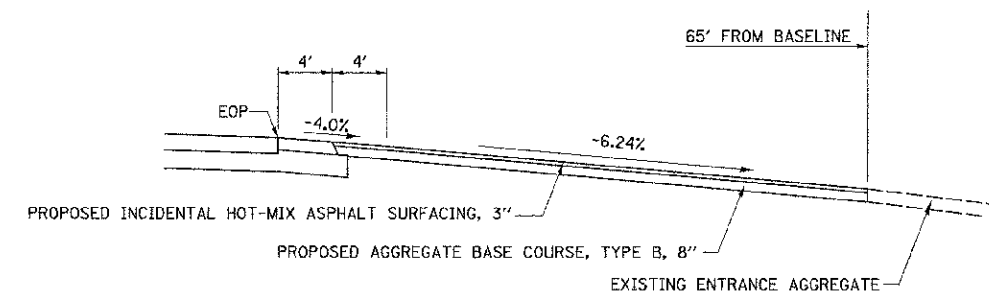
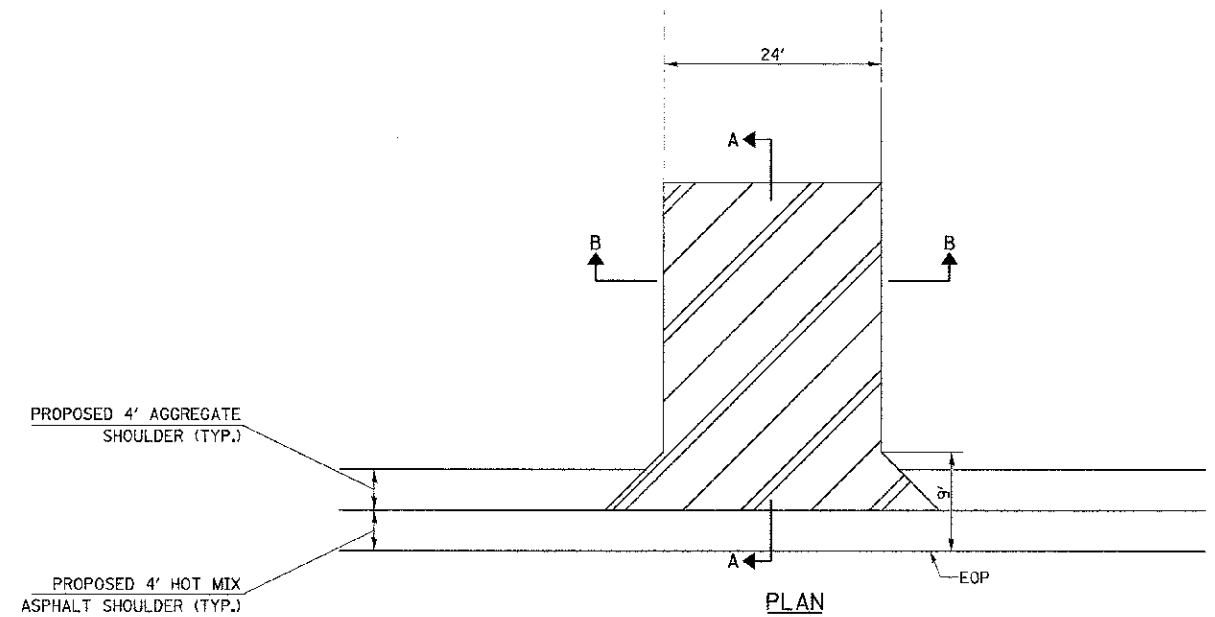


SECTION A-A

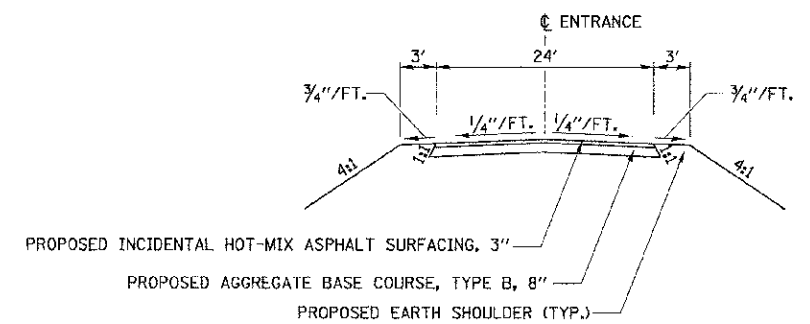


SECTION B-B

FIELD ENTRANCE (FE) DETAILS  
STA. 14+83.67, RT.



SECTION A-A



SECTION B-B

PRIVATE ENTRANCE (PE) DETAILS  
STA. 15+59.8, RT.

FILE NAME =	USER NAME = amount1	DESIGNED -	REVISED -
V:\2005\CALDU\SHLB\15\2005-feh-details-1.dgn		DRAWN -	REVISED -
		CHECKED -	REVISED -
		DATE	REVISED -

DE KALB COUNTY  
C.H. 26 (FIVE POINTS RD.)  
OVER SOUTH BRANCH OF KISHWAUKEE RIVER

C.H. 26 (FIVE POINTS RD.)  
ENTRANCE & SPECIAL DETAILS

SCALE: N/A

SHEET NO. 1 OF 2 SHEETS

STA. TO STA.

RT. NO.	SECTION	COUNTY	TOTAL SHEETS	SHEET NO.
CH 26	05-00044-01-BR	DE KALB	19	14
FED. ROAD DIST. NO. 7 [ILLINOIS] FED. AID PROJECT			CONTRACT NO. 87477	