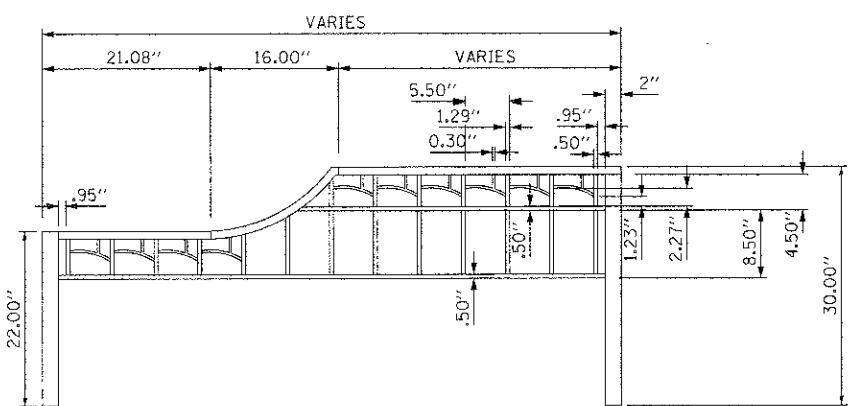
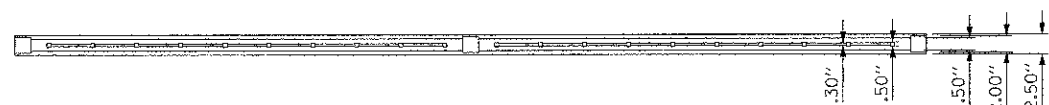
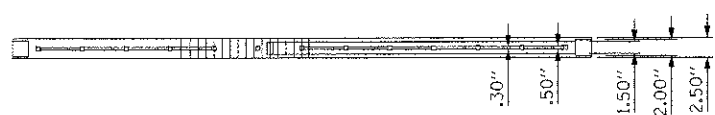


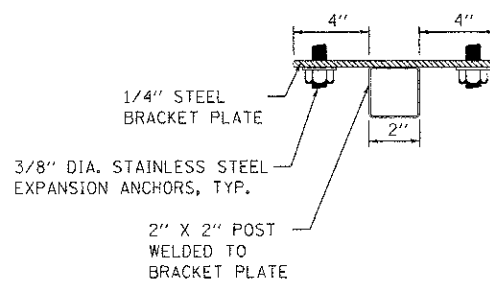
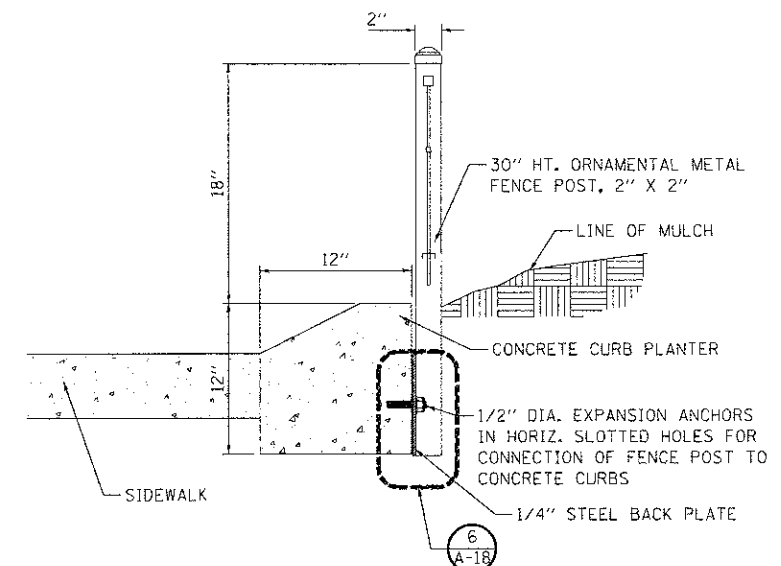
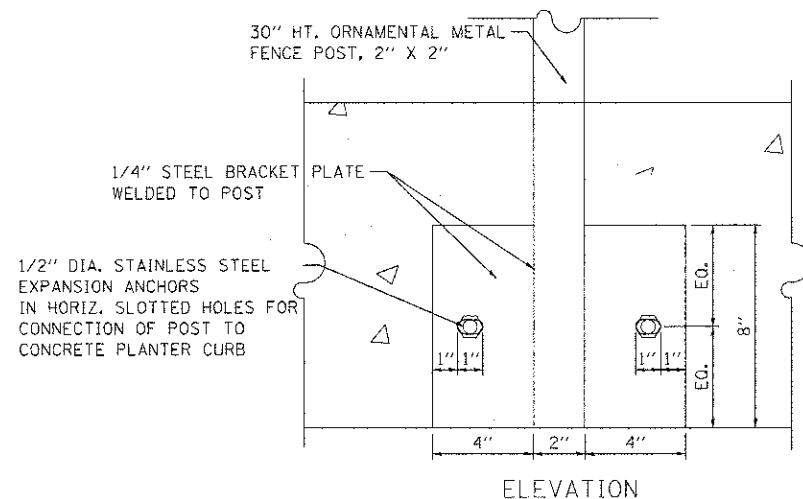
MAIN PANEL



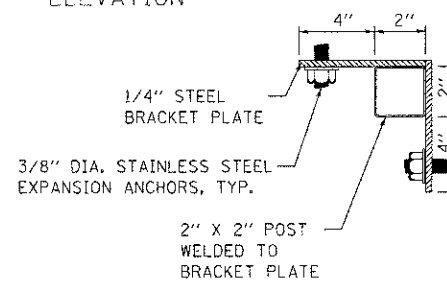
SIDE PANEL



**ORNAMENTAL FENCE,
WROUGHT IRON**



PLAN - INTERNAL
POST ATTACHMENT



PLAN - CORNER
POST ATTACHMENT

ORNAMENTAL FENCE CONNECTIONS

FILE NAME = \S:\projects\87355-01\87355-01-11.dwg, USER = JIM, DATE = 04/05/13, PLOT SCALE = 1/8" = 1'-0", PLOT DATE = 04/05/13, SHEET NO. = 29, SHEET TOTAL = 22, CONTRACT NO. = 87355, PROJECT = ILLINOIS FEDERAL AID PROJECT, COUNTY = LA SALLE, SECTION = 06-00017-01-LS, F.A.S. RTE. = 1279, SCALE: N.T.S., SHEET NO. OF SHEETS STA. TO STA.

FILE NAME =	USER NAME = #USER#	DESIGNED - JM	REVISED -
#FILE#	DRAWN - MDN	REVISED -	
exp U.S. Services Inc. Chicago, IL	CHECKED - JB	REVISED -	
BUILDINGS-EARTH & ENVIRONMENT-ENERGY INDUSTRIAL-INFRASTRUCTURE-SUSTAINABILITY	DATE - 04/05/13	REVISED -	

STATE OF ILLINOIS
DEPARTMENT OF TRANSPORTATION

PROPOSED DETAILS
ORNAMENTAL FENCE, WROUGHT IRON

SCALE: N.T.S. SHEET NO. OF SHEETS STA. TO STA.

F.A.S. RTE.	SECTION	COUNTY	TOTAL SHEETS	SHEET NO.
1279	06-00017-01-LS	LA SALLE	29	22
FED. ROAD DIST. NO.	ILLINOIS FED. AID PROJECT			
	CONTRACT NO. 87355			