

LIDS
SANITARY
 - SEALED, SOLID LID WITH "SANITARY" AND "CITY OF MOLINE" LETTERING ON LID

STORM
 - NON-DRAINAGE AREAS - SOLID LID WITH "STORM" AND "CITY OF MOLINE" LETTERING ON LID
 - DRAINAGE AREA - TYPE "D" GRATE

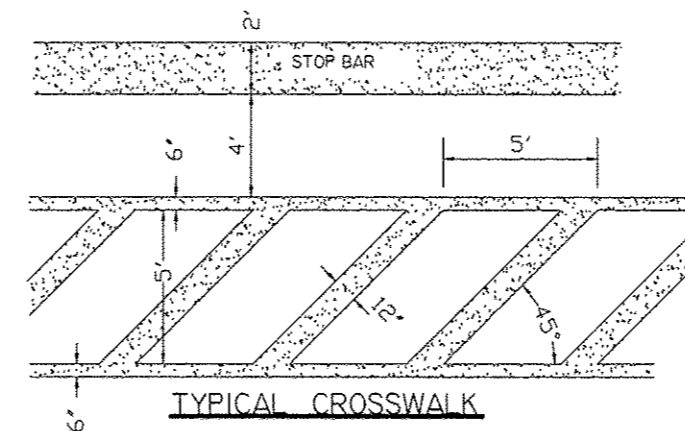
"O" RING SEAL

- CONCENTRIC CONE
- NO STEPS
- SANITARY MANHOLE SHALL HAVE A SEALED EXTERIOR SEALED WITH BITUMASTIC MATERIAL MEETING FEDERAL SPECIFICATION SSCI53C, TYPE I OR SSA 649D.

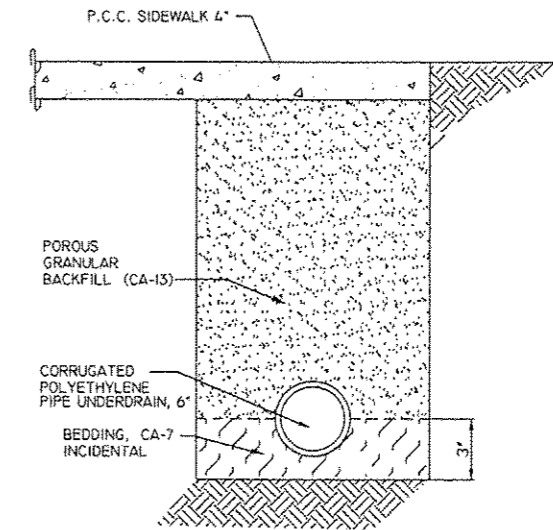
TYPICAL MANHOLE DETAIL		
DATE	CITY OF MOLINE STANDARD	#10
9/09		

MATERIAL WALL THICKNESS (T)
 PRE-CAST CONC. - MIN. 1/12 "D"
 CAST-IN-PLACE CONC. MIN. 6"

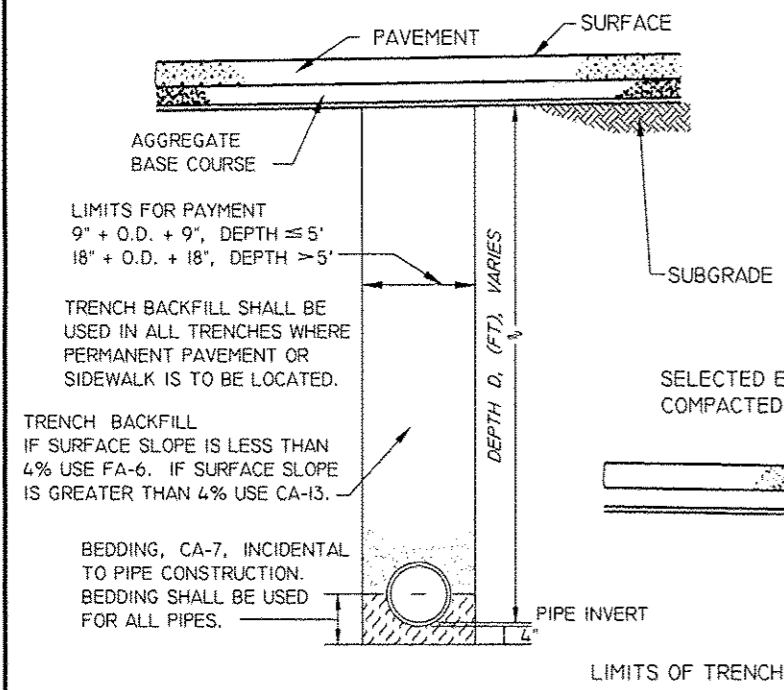
NOTE:
 ALL MARKINGS WHITE UNLESS OTHERWISE INDICATED



TYPICAL CROSSWALK



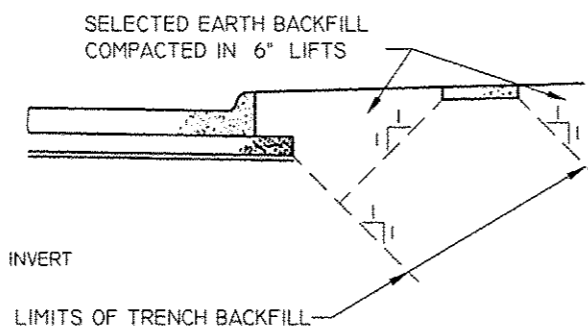
PIPE UNDERDRAIN DETAIL		
DATE	CITY OF MOLINE STANDARD	
12/05		



NOTE:
 THE FOLLOWING TABLES WILL BE USED TO DETERMINE THE VOLUME OF TRENCH BACKFILL TO BE PAID FOR.

STORM SEWER
 THE T.D.O.T., BUREAU OF CONSTRUCTION "TRENCH BACKFILL TABLE"

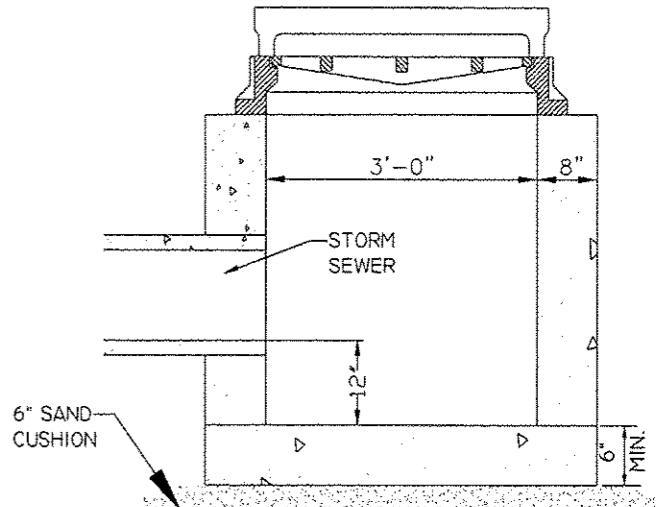
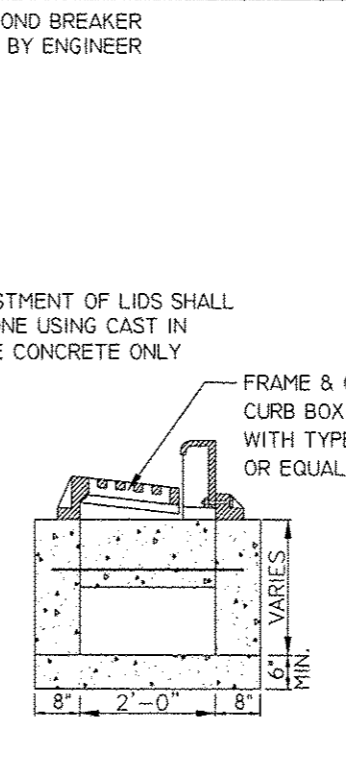
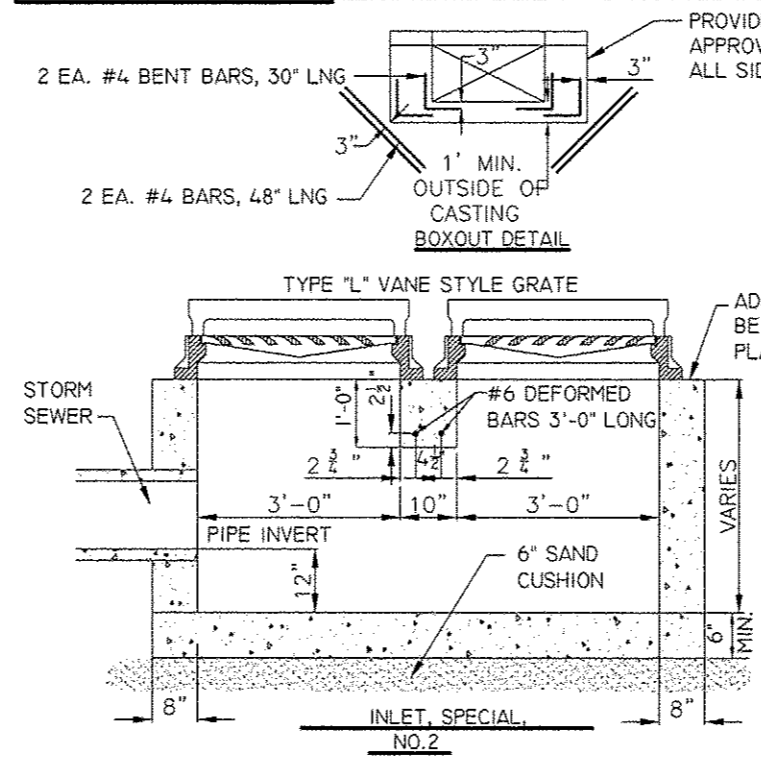
SANITARY SEWER & WATER MAIN
 TABLES FROM THE STANDARD SPECIFICATION FOR WATER AND SEWER IN ILLINOIS



BEDDING AND TRENCH BACKFILL		
DATE	CITY OF MOLINE STANDARD	#13
12/05		

STRUCTURE SHALL INCLUDE A 6 FT. LENGTH OF PERFORATED CORRUGATED, POLYETHYLENE TUBING, 4", CONNECTED TO STRUCTURE, ENCASED IN A FABRIC ENVELOPE & PLACED "ALONG PIPE BOTTOM" UPSTREAM OF STRUCTURE.

NOTES:
 NO PART OF PIPE SHALL BE PLACED WITHIN 9 INCHES OF THE C OF BEAMS.
 2 L.F. OF CURB AND GUTTER (EACH SIDE) SHALL BE INCLUDED AS PART OF CATCHBASIN CONSTRUCTION AND ADJUSTMENT IF NOT WITHIN NEW PVT. CONSTRUCTION.
 ALL REINFORCING BARS SHALL BE EPOXY COATED.



INLET, SPECIAL, NO. 1 & 2 DETAIL		
DATE	CITY OF MOLINE STANDARD	#14
12/05		



CITY OF MOLINE
 DEPARTMENT OF PUBLIC WORKS - ENGINEERING DIVISION
 3635 4TH AVENUE, MOLINE, IL 61265
 (309) 524-2350
 CITY ENGINEER - SCOTT HINTON, P.E.

12TH AVENUE OVERLAY
 19TH STREET TO 34TH STREET
 DETAILS

Date	2-20-12	Sheet	40
Scale	NTS	of	40
Design Engineer	JWC	Project	MFT 254
Date	3-21-13	IDOT COMMENTS	
Date		Revision	

Date	2-20-12	Sheet	40
Scale	NTS	of	40
Design Engineer	JWC	Project	MFT 254