

PLAN DETAIL "A"
 ☉ Span between Panel Points

PLAN DETAIL "B"
 ☉ Span at Panel Point

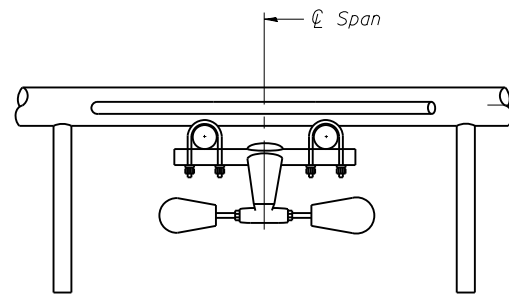
PLAN DETAIL "C"
 ☉ Span at ☉ Chord Splice

* Center of horizontal to center of splice dimension may vary. Verify before drilling holes in mounting tube.

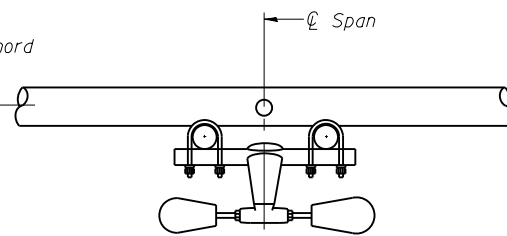
NOTES

Damper: One damper per truss. (31 lbs. minimum Stockbridge-Type Aluminum - 29" minimum between ends of weights) Cost included in Overhead Sign Structure...

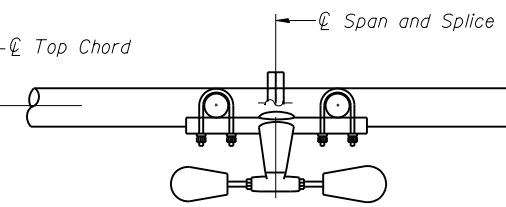
Materials: Materials: Aluminum tubes shall be ASTM B221 alloy 6061 temper T6. Cost included in Overhead Sign Structure...



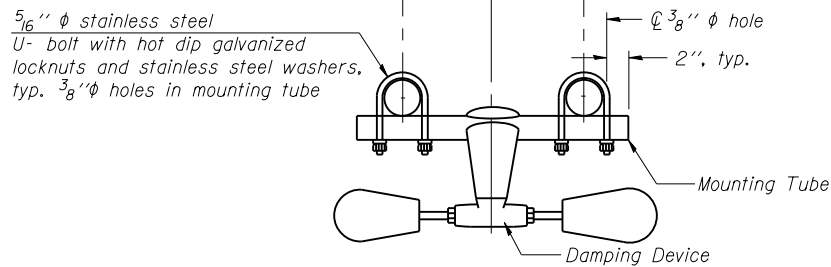
SECTION A-A



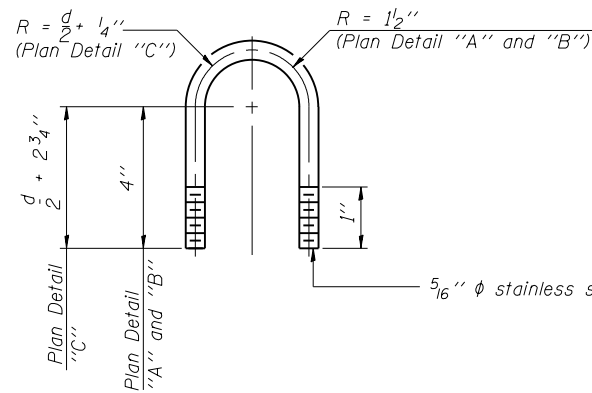
SECTION B-B



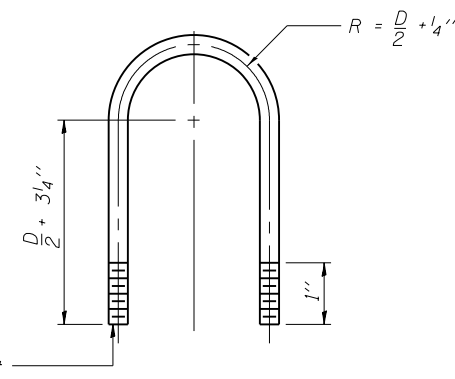
SECTION C-C



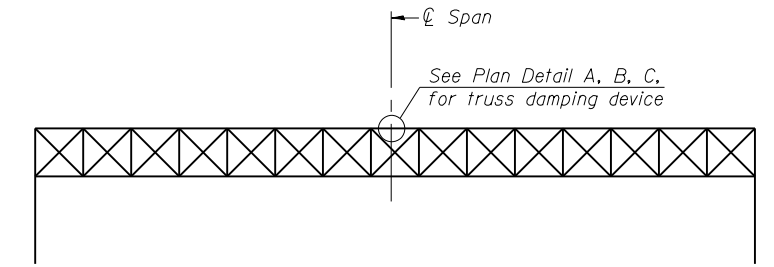
TRUSS DAMPING DEVICE CONNECTION DETAIL
 (Typical)



DAMPING DEVICE MOUNTING TUBE U-BOLT DETAIL
 (Typical)



TOP CHORD TO CROSS TUBE U-BOLT DETAIL
 (Typical - Detail "A" and "B")



ELEVATION
 Aluminum Overhead Sign Truss

OS-A-D

6-1-12

FILE NAME =	USER NAME = \$USER\$	DESIGNED -	REVISED -
c:\pwork\work\pwork\collem\0339264\78362-sh-t-sgnstr.dgn		DRAWN -	REVISED -
		CHECKED -	REVISED -
		DATE -	REVISED -

STATE OF ILLINOIS
 DEPARTMENT OF TRANSPORTATION

OVERHEAD SIGN STRUCTURE
 DAMPING DEVICE

SCALE: SHEET OF SHEETS STA. TO STA.

*VARIOUS ROUTES

F.A.I. RTE.	SECTION	COUNTY	TOTAL SHEETS	SHEET NO.
•	D9 SAFETY SIGNAGE 2013-1	VARIOUS	34	26
			CONTRACT NO. 78362	

ILLINOIS FED. AID PROJECT