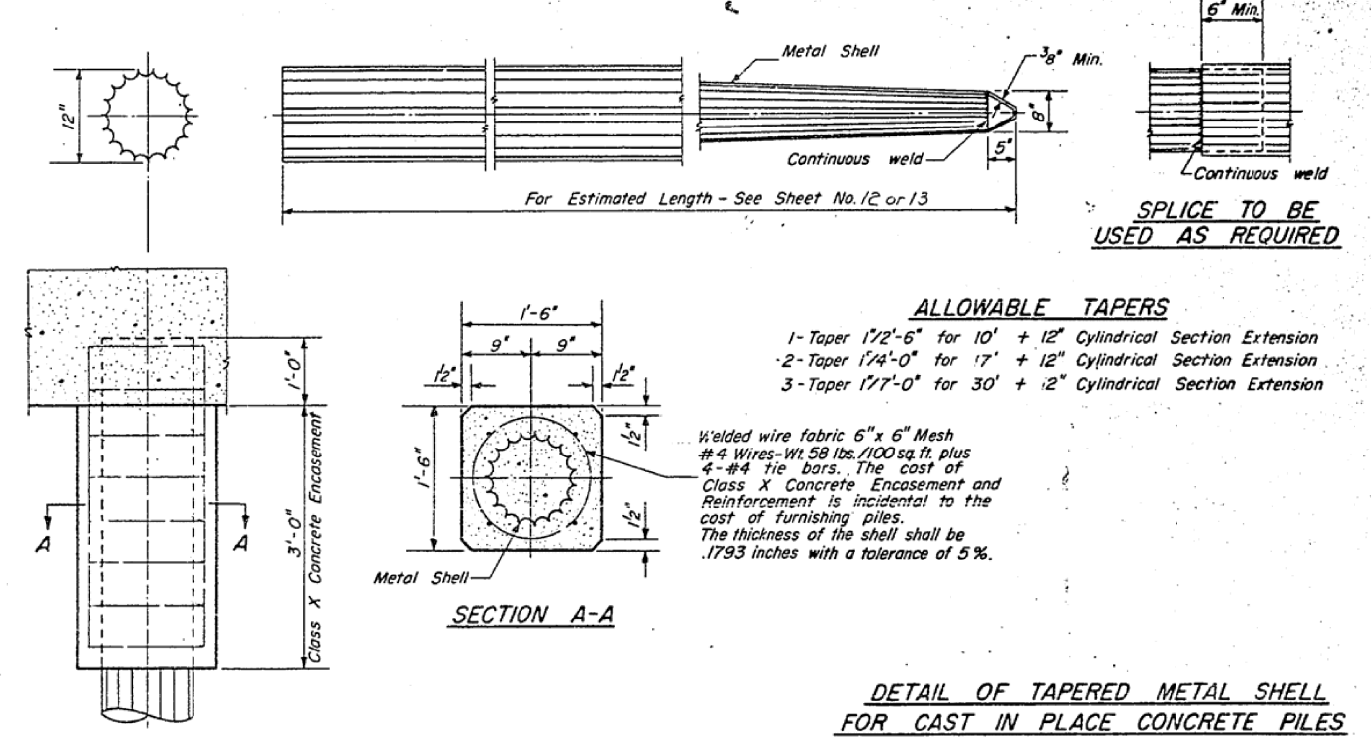
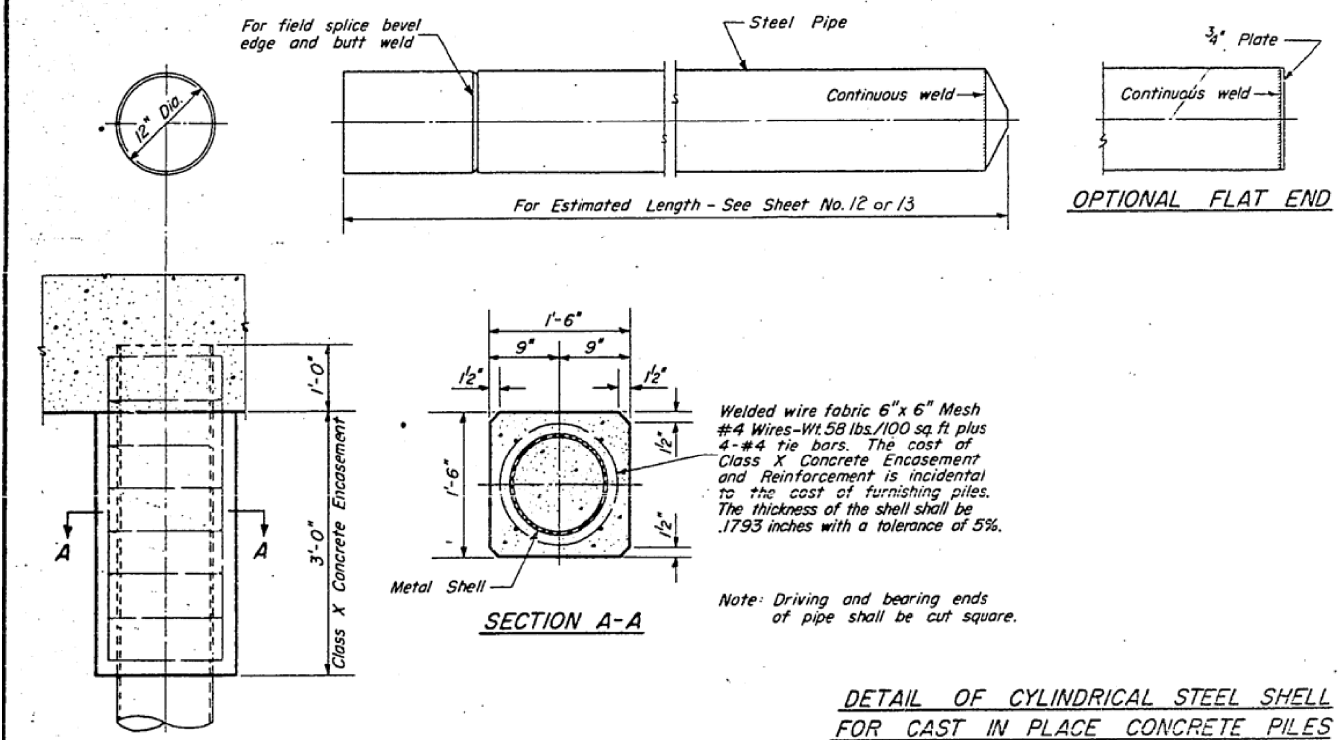
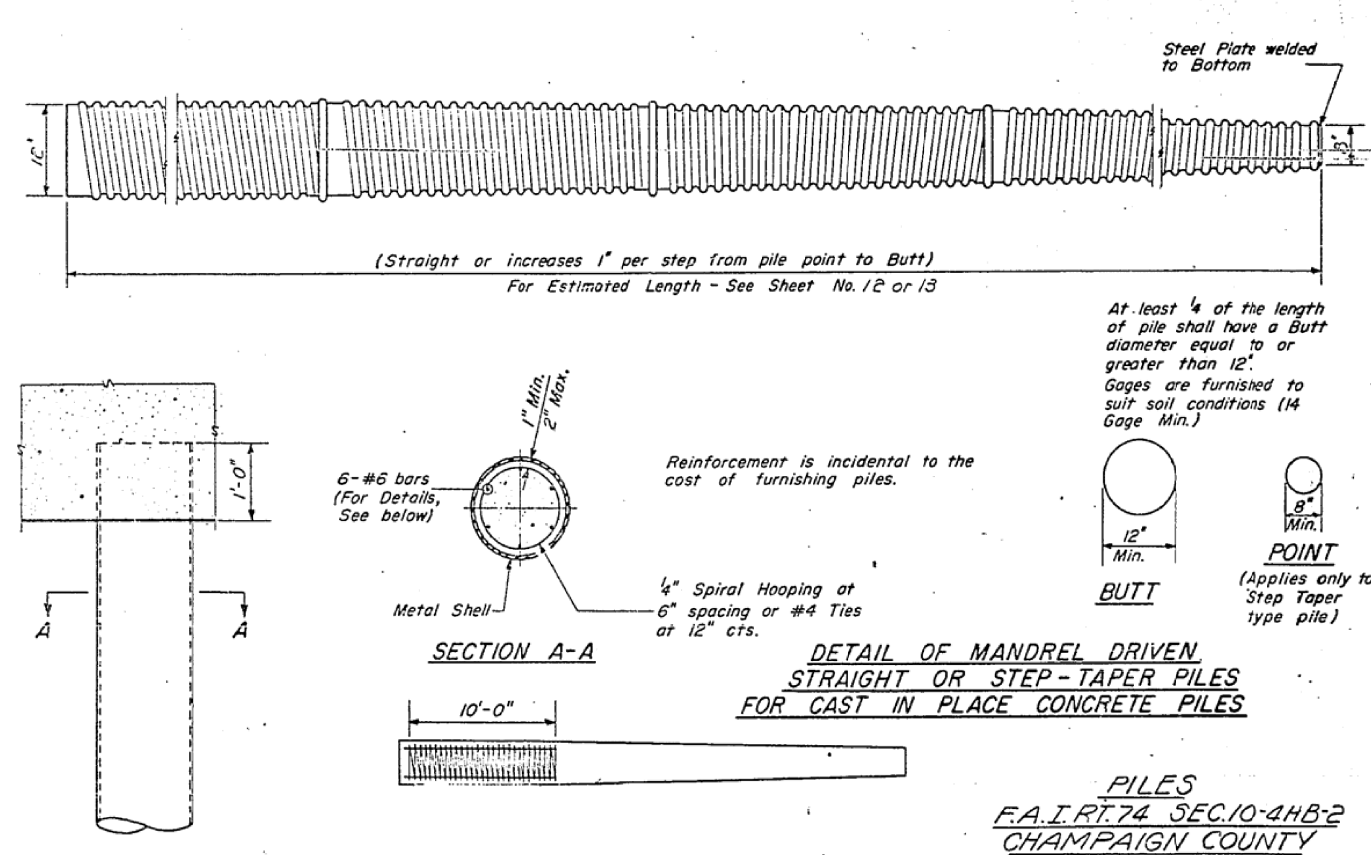
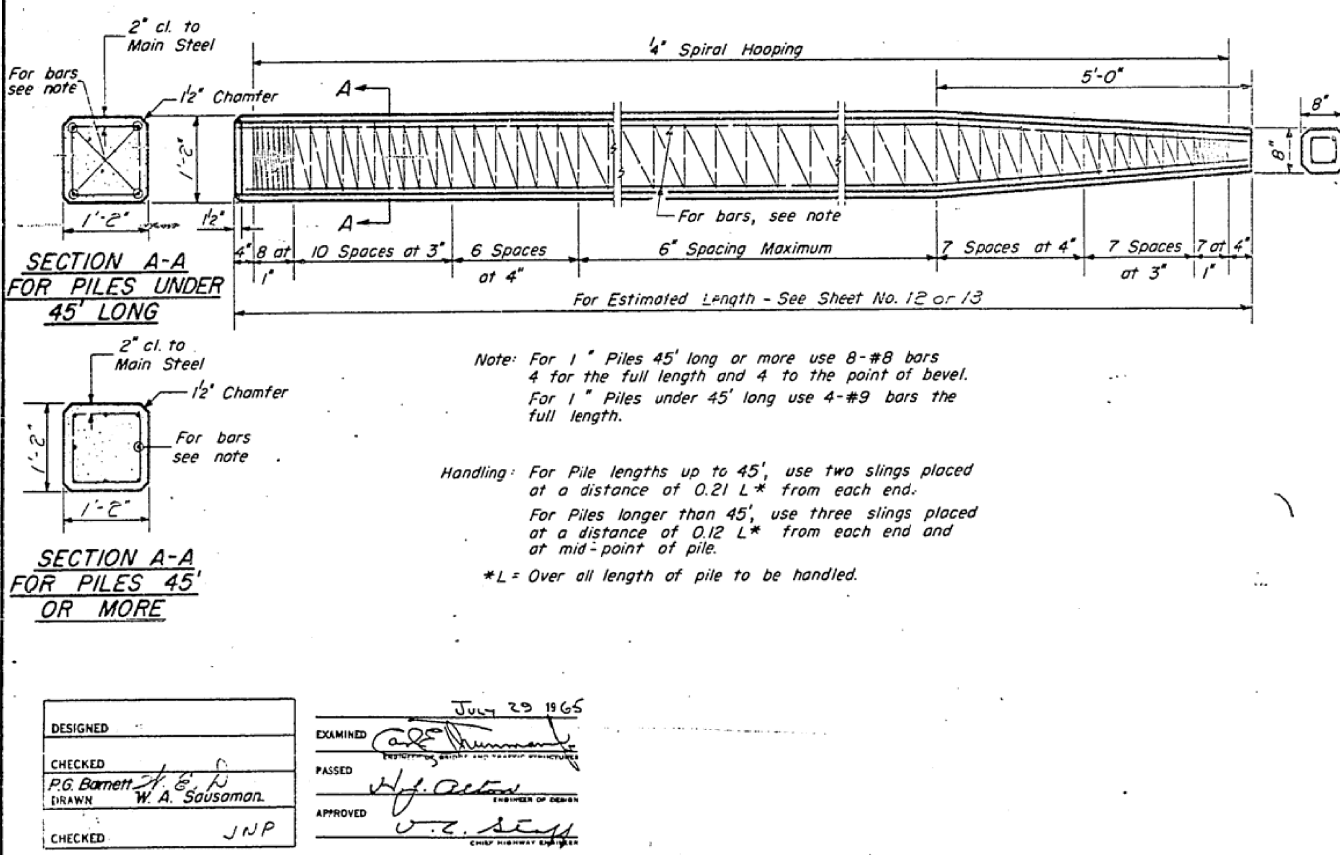


STATE OF ILLINOIS  
DEPARTMENT OF PUBLIC WORKS & BUILDINGS  
DIVISION OF HIGHWAYS

ROUTE NO.	SECTION	COUNTY	TOTAL SHEETS	SHEET NO.
F.A.I. 74	10-4 HB-2	CHAMPAIGN	34	24
SHEET NO. 18		18 SHEETS		



- ALLOWABLE TAPERS**
- 1-Taper 1/2'-6" for 10' + 12" Cylindrical Section Extension
  - 2-Taper 1/4'-0" for 17' + 12" Cylindrical Section Extension
  - 3-Taper 1/7'-0" for 30' + 12" Cylindrical Section Extension



DESIGNED	EXAMINED
CHECKED	PASSED
DRAWN	APPROVED
CHECKED	

July 29 1965

PG Barnett  
W. A. Sausoman

JNP

X-1 Rev. 5-12-61 9-27-62 4-20-64

**DETAIL OF PRECAST CONCRETE PILES**

**PILES**  
F.A.I. RT. 74 SEC. 10-4HB-2  
CHAMPAIGN COUNTY  
STA. 1547+92.48