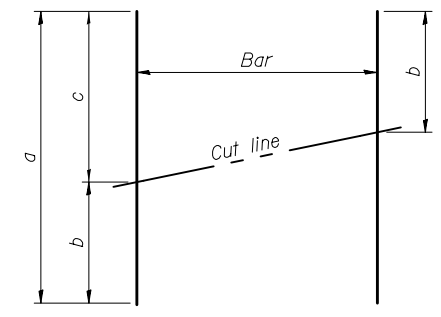


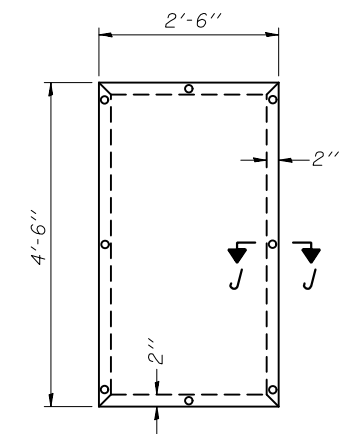
**VIEW I-I**  
(East curtain wall)



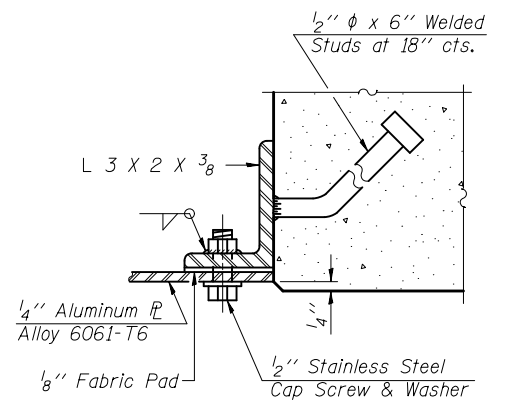
**FIELD CUTTING DIAGRAM**

\* Order h65(E) and v65(E) thru v66(E) bars full length. Cut to fit and use the remainder of bars in opposite face. Cut reinforcement to miss access door.

Bar	a	b	c
h65(E)	22'-0"	4'-0"	18'-0"
v65(E)	22'-0"	6'-9"	15'-3"
v66(E)	12'-0"	5'-8"	6'-4"



**DOOR ELEVATION**  
Cost of door and frame are included with Concrete Structures.



**SECTION J-J**