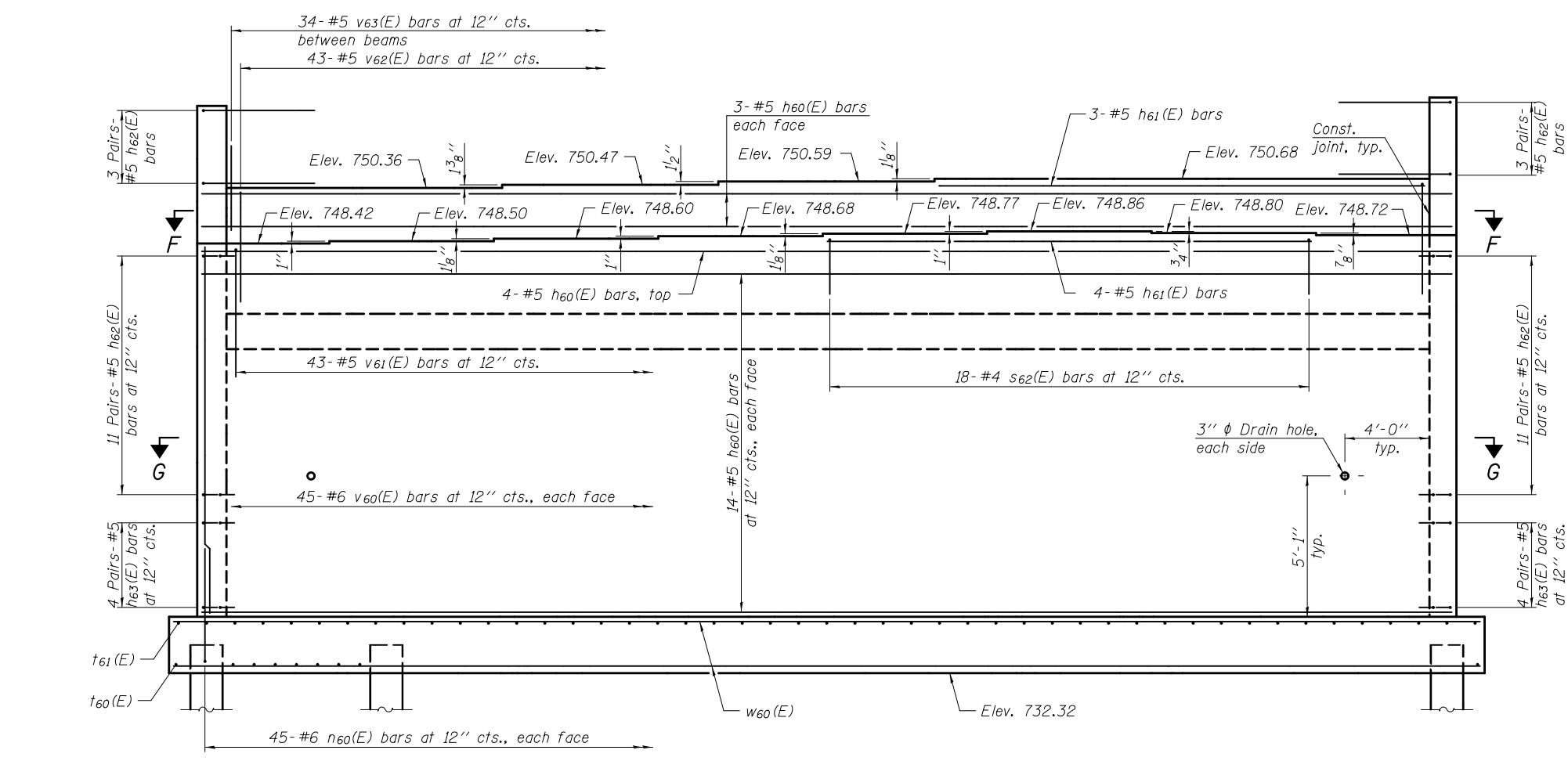
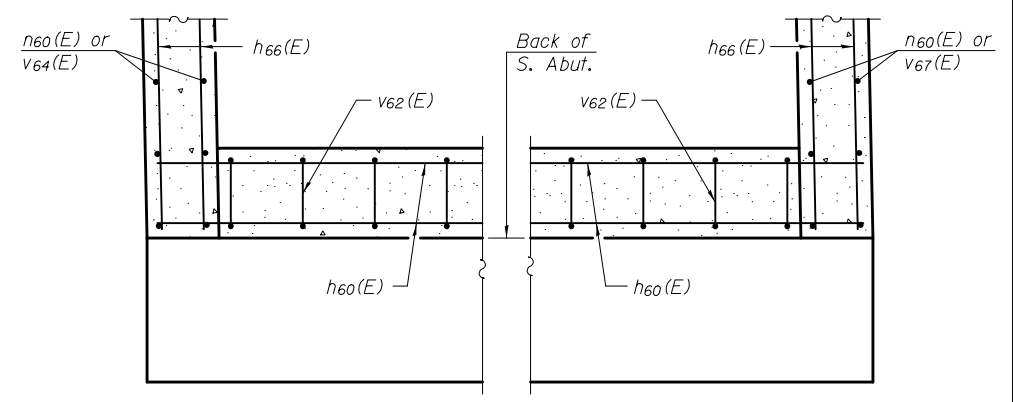


VIEW D-D

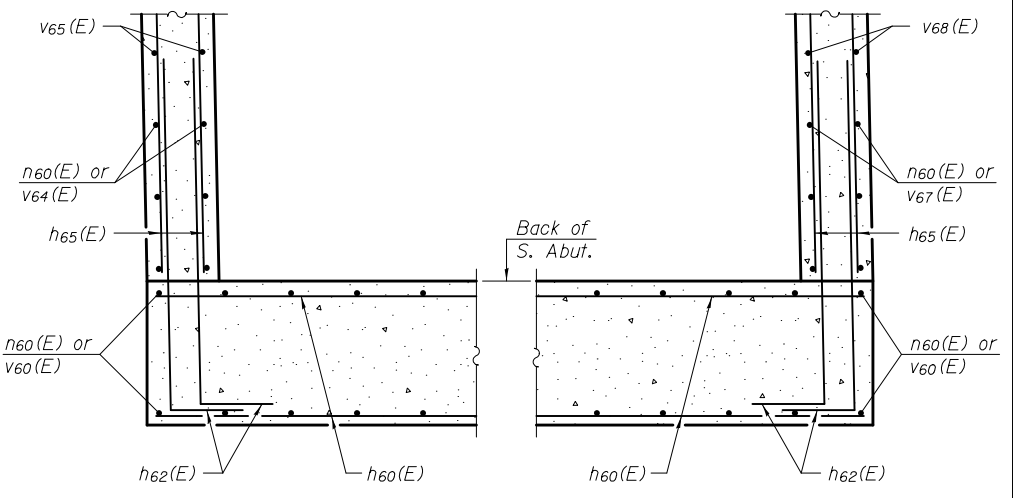


VIEW E-E

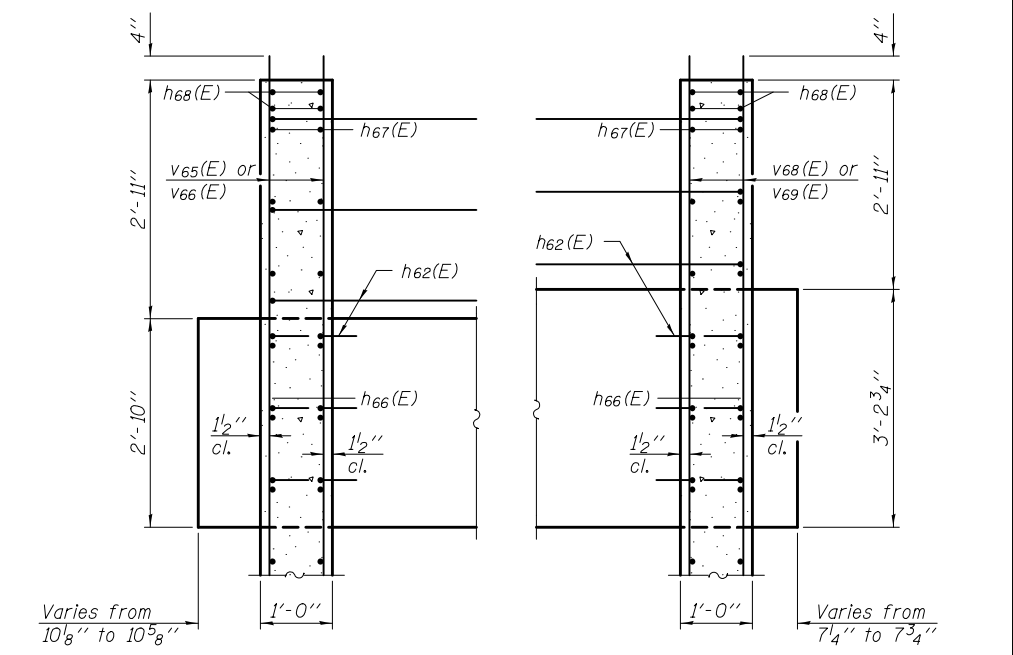
Note:
Pour steps monolithically with cap.
Space reinforcement to miss anchor bolts.



SECTION F-F



SECTION G-G



SECTION H-H

DESIGNED - NICHOLAS R. BARNETT	EXAMINED - <i>Jaime F. Joffe</i> ACTING ENGINEER OF BRIDGE DESIGN	DATE - FEBRUARY 25, 2013	STATE OF ILLINOIS DEPARTMENT OF TRANSPORTATION	SOUTH ABUTMENT STRUCTURE NO. 010 - 0289	F.A.I. RT. - 74	SECTION - 10-4BR	COUNTY - CHAMPAIGN	TOTAL SHEETS - 290	SHEET NO. - 134	
CHECKED - DEWEY H. COULTAS	PASSED - <i>Carl Perry</i> ACTING ENGINEER OF BRIDGES AND STRUCTURES	REVISED			SHEET NO. 49 OF 62 SHEETS		CONTRACT NO. 70700			
DRAWN - MICHAEL B. MOSSMAN		REVISED			ILLINOIS FED. AID PROJECT					
CHECKED - D.H.C. / N.R.B.										