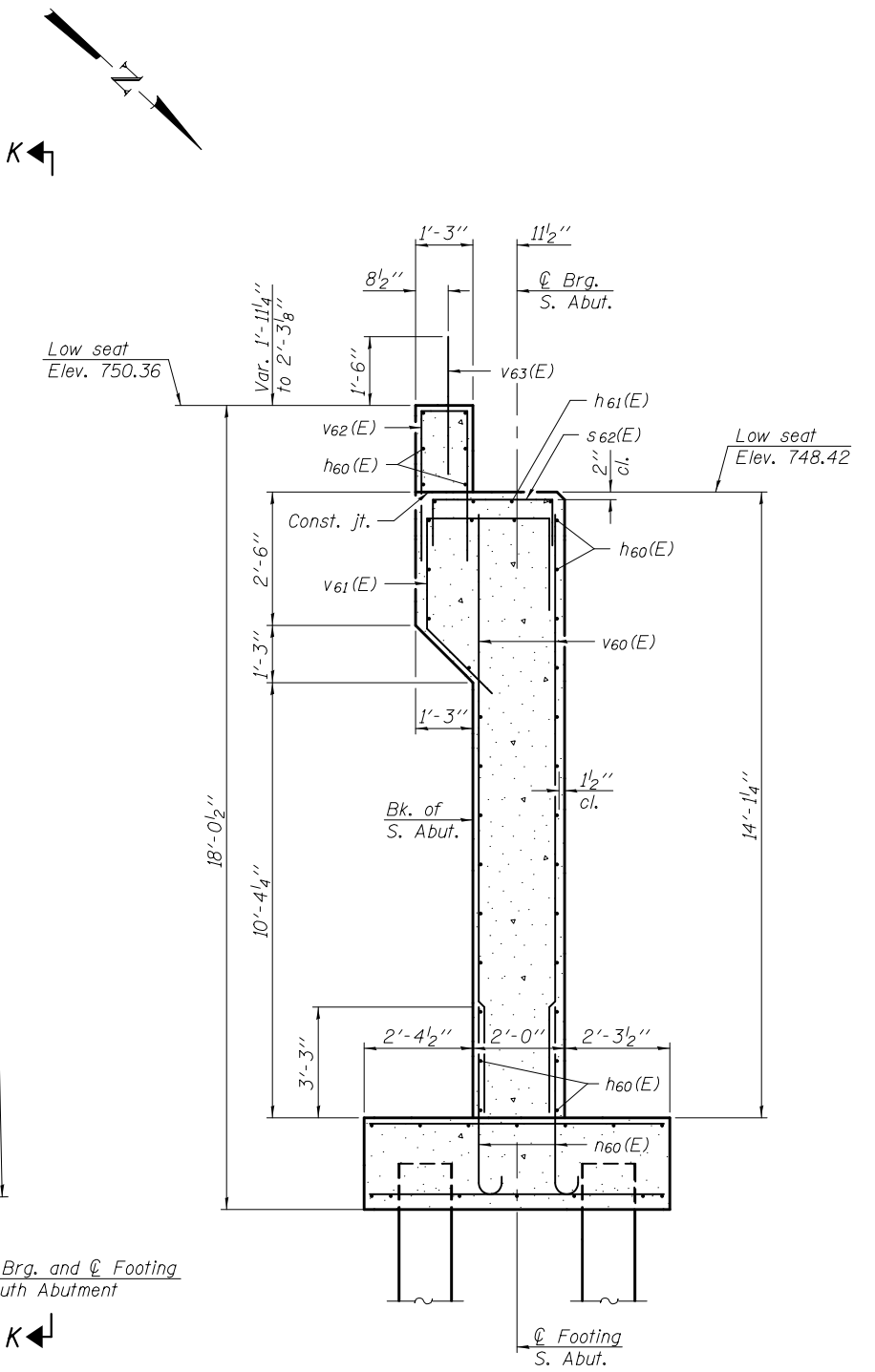


PLAN



SECTION C-C

Note:
See sheet 21 of 62 for offsets to local tangent at Sta. 21+29.17.

| | | | | | | | | | |
|--------------------------------|--|--------------------------|---|--|---------------------------|---------------------------|--------------------|--------------------|-----------------|
| DESIGNED - NICHOLAS R. BARNETT | EXAMINED - <i>Joanne F. Schaff</i> ACTING ENGINEER OF BRIDGE DESIGN | DATE - FEBRUARY 25, 2013 | STATE OF ILLINOIS DEPARTMENT OF TRANSPORTATION | SOUTH ABUTMENT STRUCTURE NO. 010 - 0289 | F.A.I. R.T.E. - 74 | SECTION - 10-4BR | COUNTY - CHAMPAIGN | TOTAL SHEETS - 290 | SHEET NO. - 133 |
| CHECKED - DEWEY H. COULTAS | PASSED - <i>Carl Kasper</i> ACTING ENGINEER OF BRIDGES AND STRUCTURES | REVISED | | | SHEET NO. 48 OF 62 SHEETS | CONTRACT NO. 70700 | | | |
| DRAWN - MICHAEL B. MOSSMAN | | REVISED | | | | | | | |
| CHECKED - D.H.C. / N.R.B. | | | | | | ILLINOIS FED. AID PROJECT | | | |