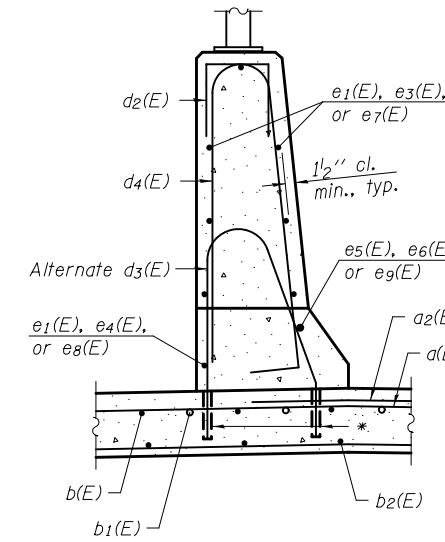


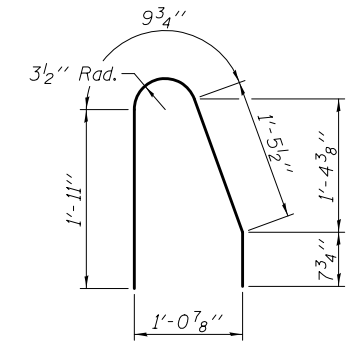
* Drill and set Alternate #5 d3(E) bar according to Article 509.06 of the Standard Specifications. Drilled holes shall be roughened or scored per manufacturer's recommendations. Maximum depth of hole shall not exceed 6".

The Contractor shall take all necessary precautions to prevent drilled hole interference with deck reinforcement bars. Locate longitudinal bars to miss drilled locations. Locate drilled holes to miss transverse bars in deck.

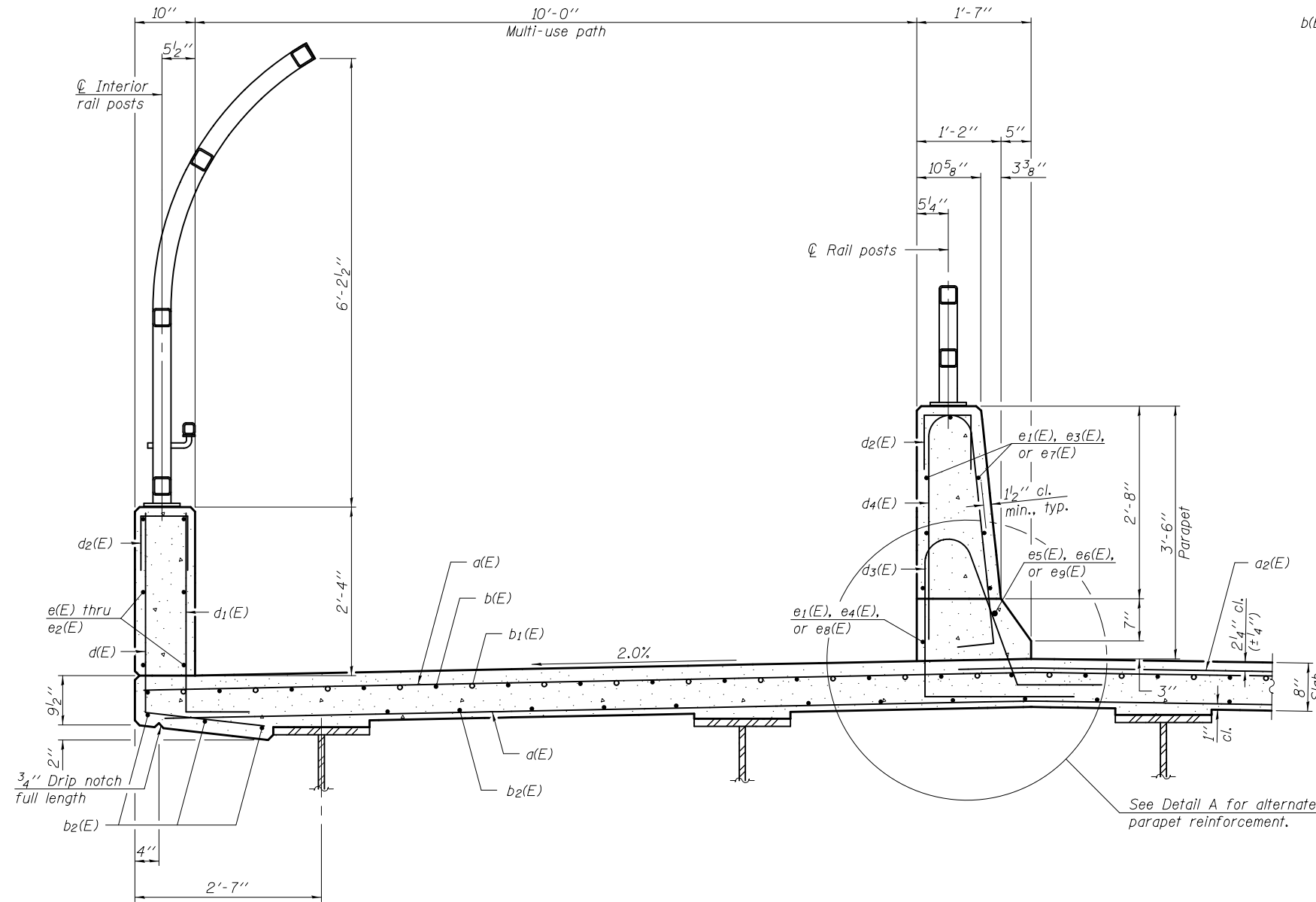
If alternate parapet reinforcement is chosen, cost of alternate d3(E) bars, drilling, and setting is included with the cost of Reinforcement Bars, Epoxy Coated.



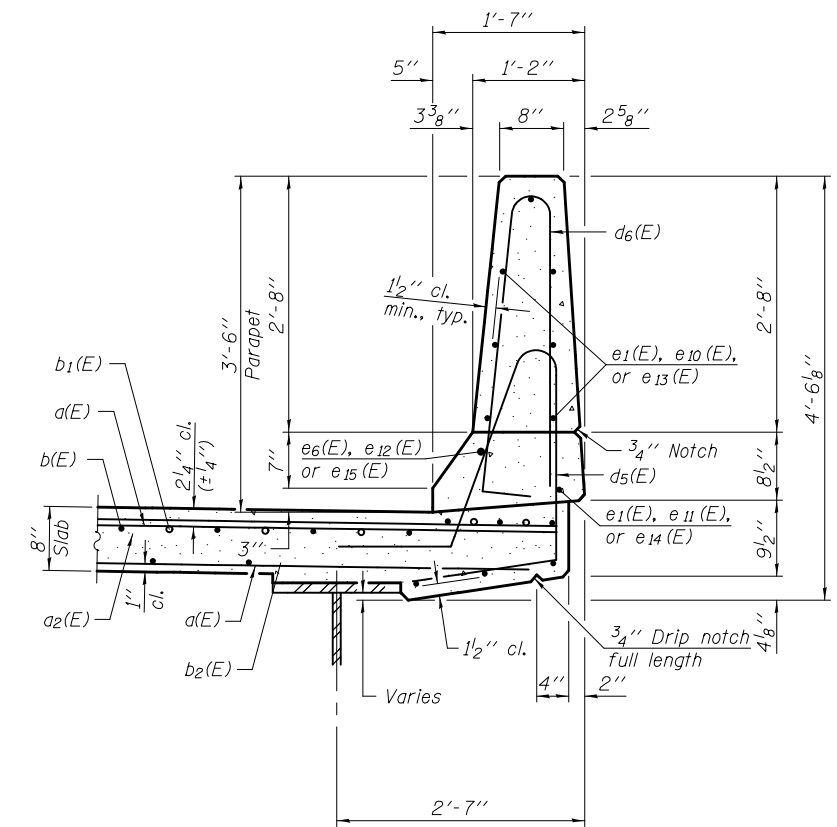
DETAIL A



ALTERNATE BAR d3(E)



SECTION THRU MULTI-USE PATH



SECTION THRU EAST PARAPET

DESIGNED - DEWEY H. COULTAS
 CHECKED - NICHOLAS R. BARNETT
 DRAWN - MICHAEL B. MOSSMAN
 CHECKED - D.H.C. / N.R.B.

EXAMINED - *Jaime F. DeLuca*
 ACTING ENGINEER OF BRIDGE DESIGN
 PASSED - *Carl Perry*
 ACTING ENGINEER OF BRIDGES AND STRUCTURES

DATE - FEBRUARY 25, 2013
 REVISED
 REVISED

STATE OF ILLINOIS
 DEPARTMENT OF TRANSPORTATION

SUPERSTRUCTURE DETAILS
 STRUCTURE NO. 010 - 0289

SHEET NO. 19 OF 62 SHEETS

F.A.I. RTE.	SECTION	COUNTY	TOTAL SHEETS	SHEET NO.
74	10-4BR	CHAMPAIGN	290	104
				CONTRACT NO. 70700

ILLINOIS FED. AID PROJECT