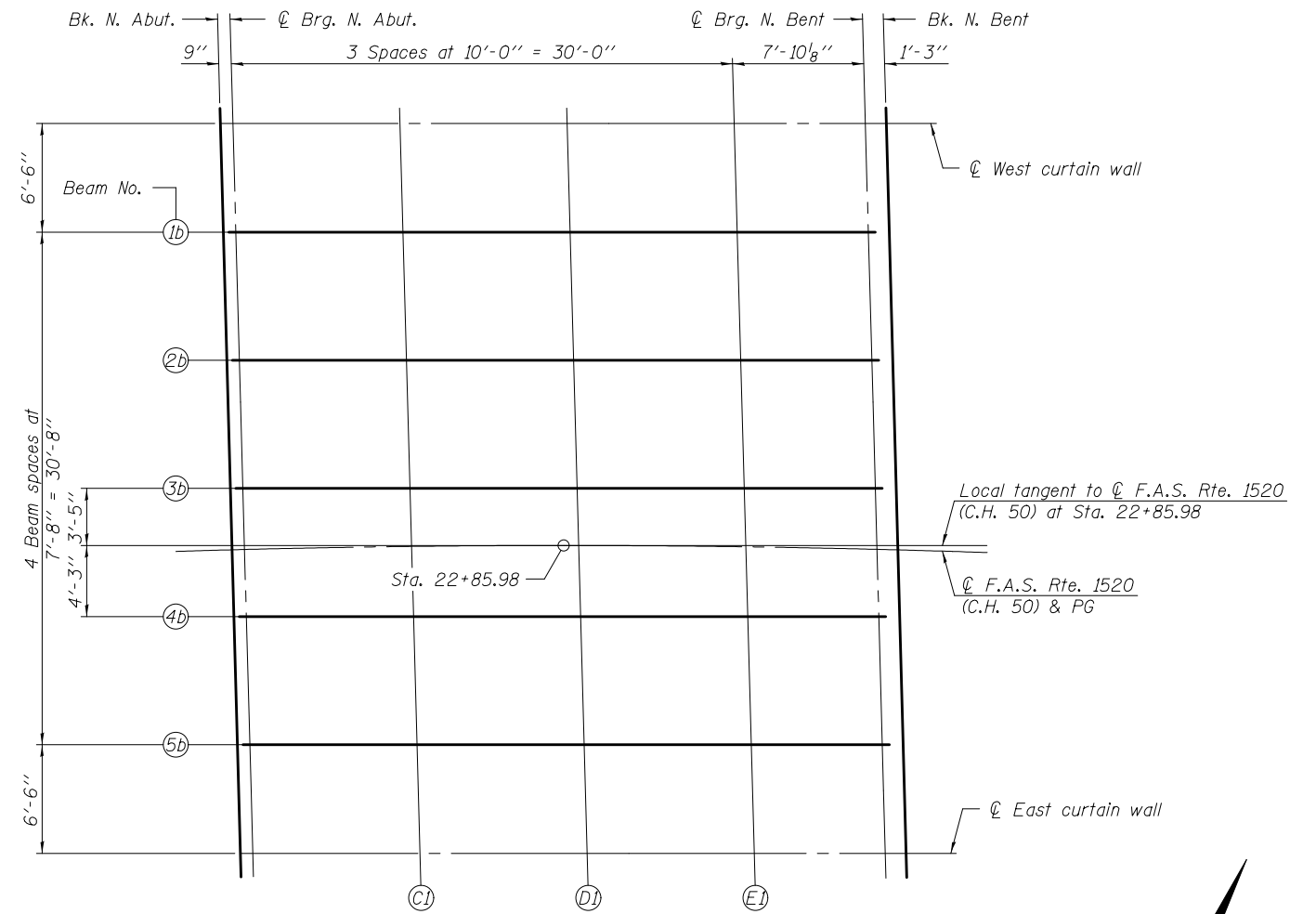
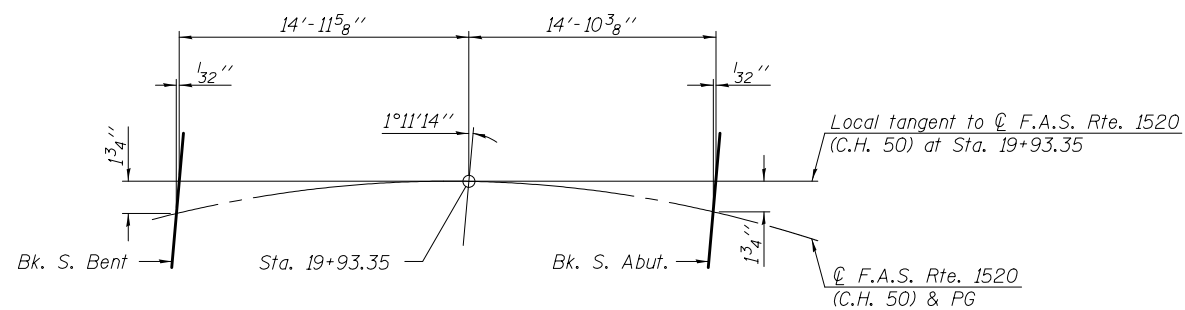


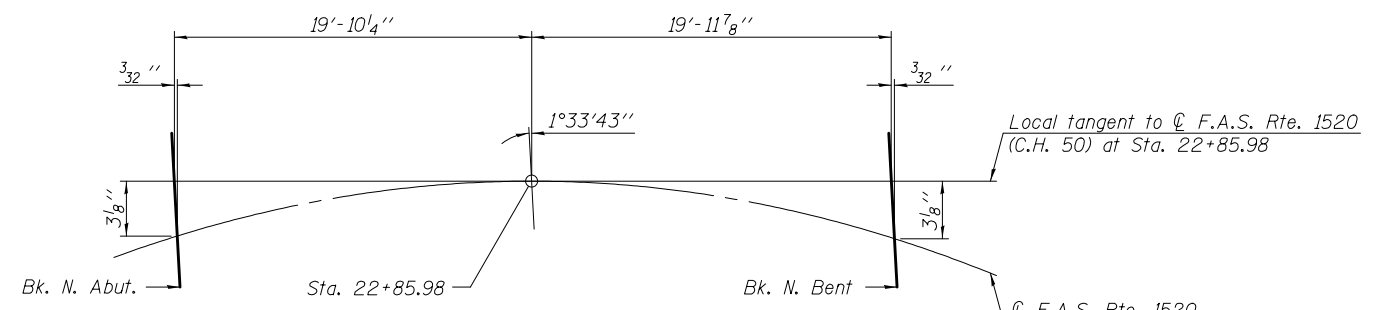
PLAN



PLAN



OFFSET SKETCH
(South vaulted abutment span)



OFFSET SKETCH
(North vaulted abutment span)

DESIGNED - NICHOLAS R. BARNETT	EXAMINED - <i>James F. [Signature]</i>	DATE - FEBRUARY 25, 2013
CHECKED - DEWEY H. COULTAS	PASSED - <i>Carl [Signature]</i>	REVISED
DRAWN - MICHAEL B. MOSSMAN	ACTING ENGINEER OF BRIDGES AND STRUCTURES	REVISED
CHECKED - D.H.C. / N.R.B.		

STATE OF ILLINOIS
DEPARTMENT OF TRANSPORTATION

TOP OF VAULTED ABUTMENT SLAB ELEVATIONS
STRUCTURE NO. 010 - 0289

SHEET NO. 8 OF 62 SHEETS

F.A.I. RTE.	SECTION	COUNTY	TOTAL SHEETS	SHEET NO.
74	10-4BR	CHAMPAIGN	290	93
CONTRACT NO. 70700				

ILLINOIS FED. AID PROJECT