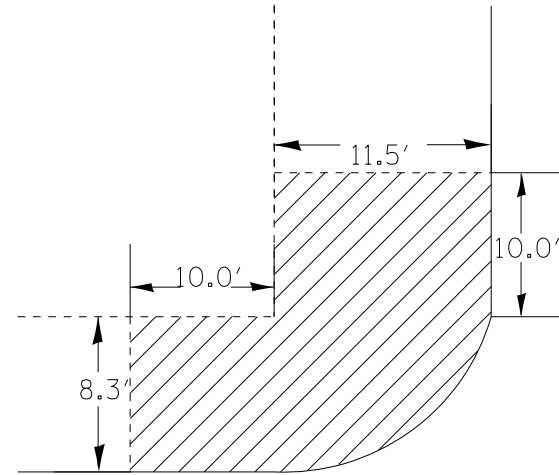


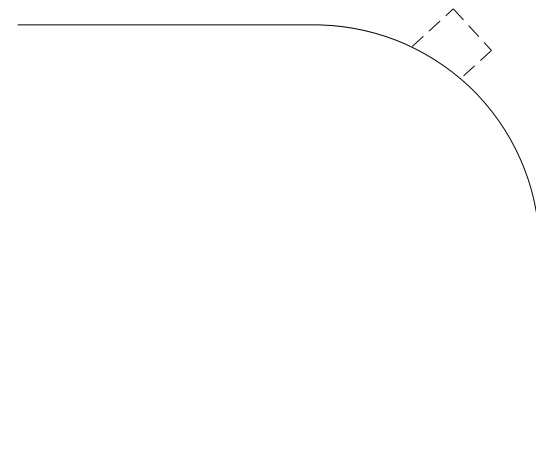
*USE STANDARD DETECTABLE WARNING W/ DIMENSIONS OF 5' X '2, UNLESS OTHERWISE NOTED.



SIDEWALK REMOVAL, SPL = 293.5 SQ FT

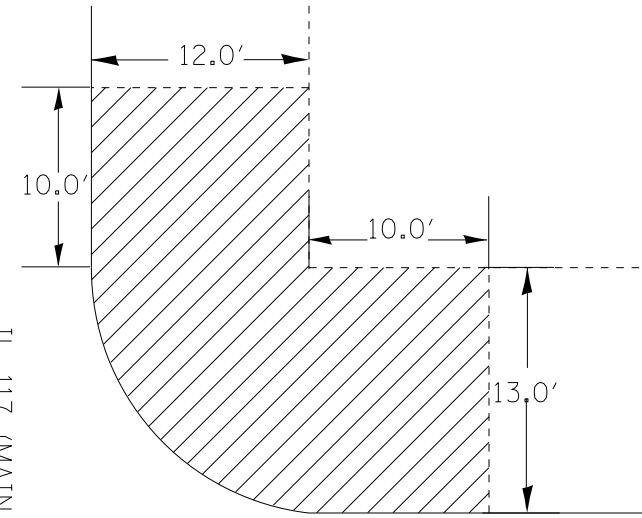


IL 117 (SANTA FE AVE)

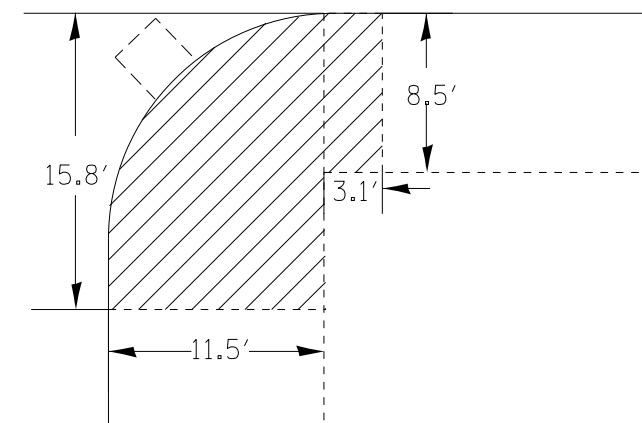


EXISTING

SIDEWALK REMOVAL, SPL = 406 SQ FT

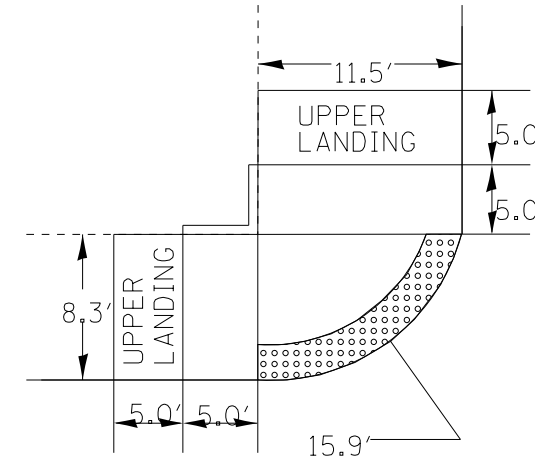


SANTA FE AVE

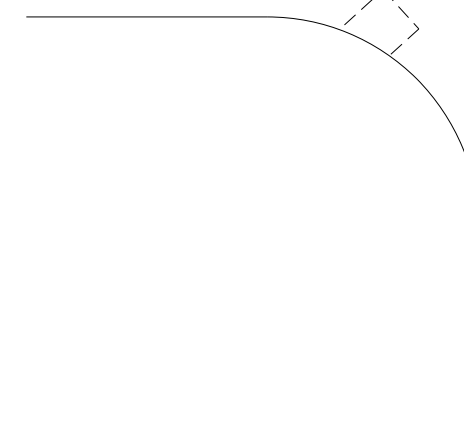


SIDEWALK REMOVAL, SPL = 208.1 SQ FT

PROP. PCC SIDEWALK 4", SPL= 293.5 SQ FT
USE STANDARD 424021
DETECTABLE WARNINGS= 31.8 SQ FT

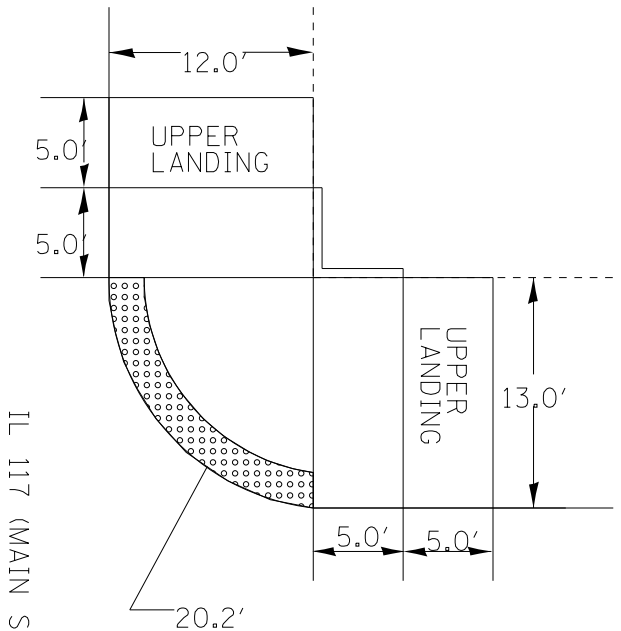


IL 117 (SANTA FE AVE)

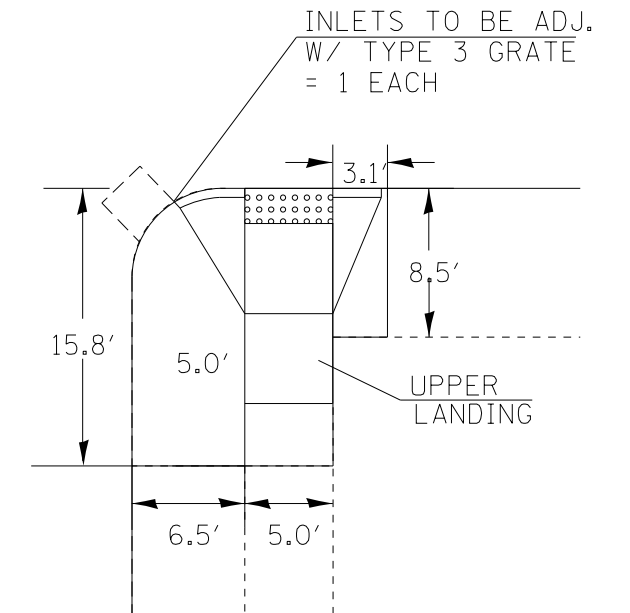


DRAWING NOT TO SCALE

PROP. PCC SIDEWALK 4", SPL= 406 SQ FT
USE STANDARD 424021
DETECTABLE WARNINGS= 40.5 SQ FT



SANTA FE AVE



PROP. PCC SIDEWALK 4", SPL = 208.1 SQ FT
USE STANDARD 424001-06
DETECTABLE WARNINGS= 10 SQ FT

REMOVAL

FILE NAME = 68982.dgn	USER NAME = aubreys	DESIGNED -	REVISED -
Default		DRAWN -	REVISED -
	PLOT SCALE = 40.0000' / in.	CHECKED -	REVISED -
	PLOT DATE = 3/21/2013	DATE -	REVISED -

STATE OF ILLINOIS
DEPARTMENT OF TRANSPORTATION

SIDEWALK DETAILS (IL 117 AND SANTA FE)

SCALE: SHEET 28 OF 51 SHEETS STA. 568+70

F.A.S. RTE.	SECTION	COUNTY	TOTAL SHEETS	SHEET NO.
2361	101 RS-4; 102 RS-5	MARSHALL	51	28
CONTRACT NO. 68982				
ILLINOIS FED. AID PROJECT				