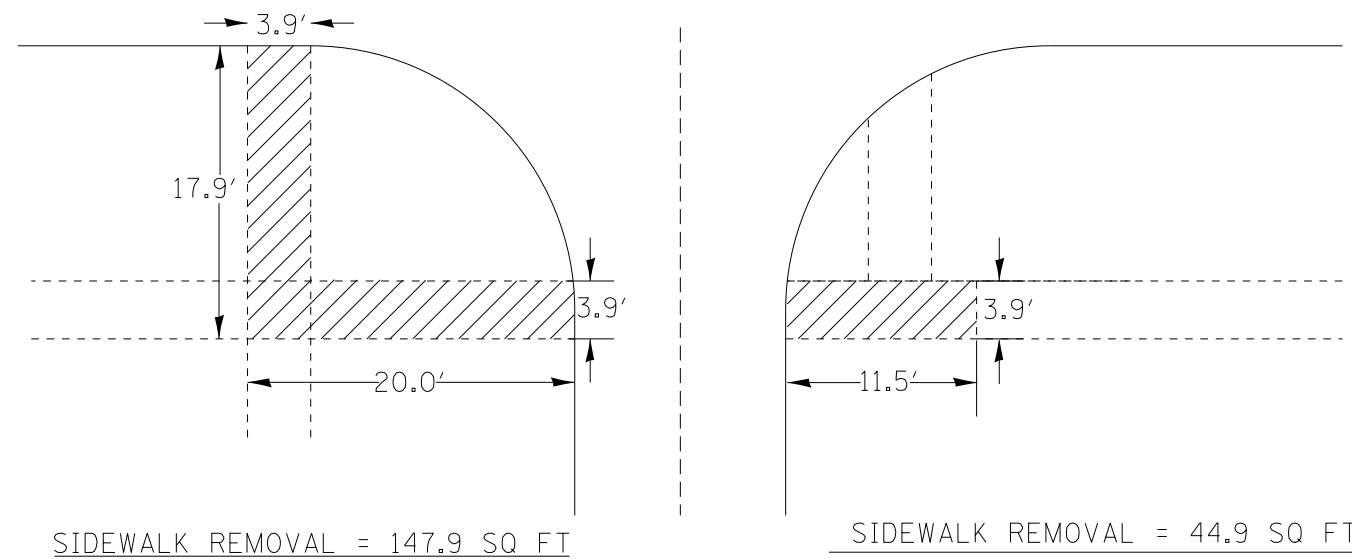
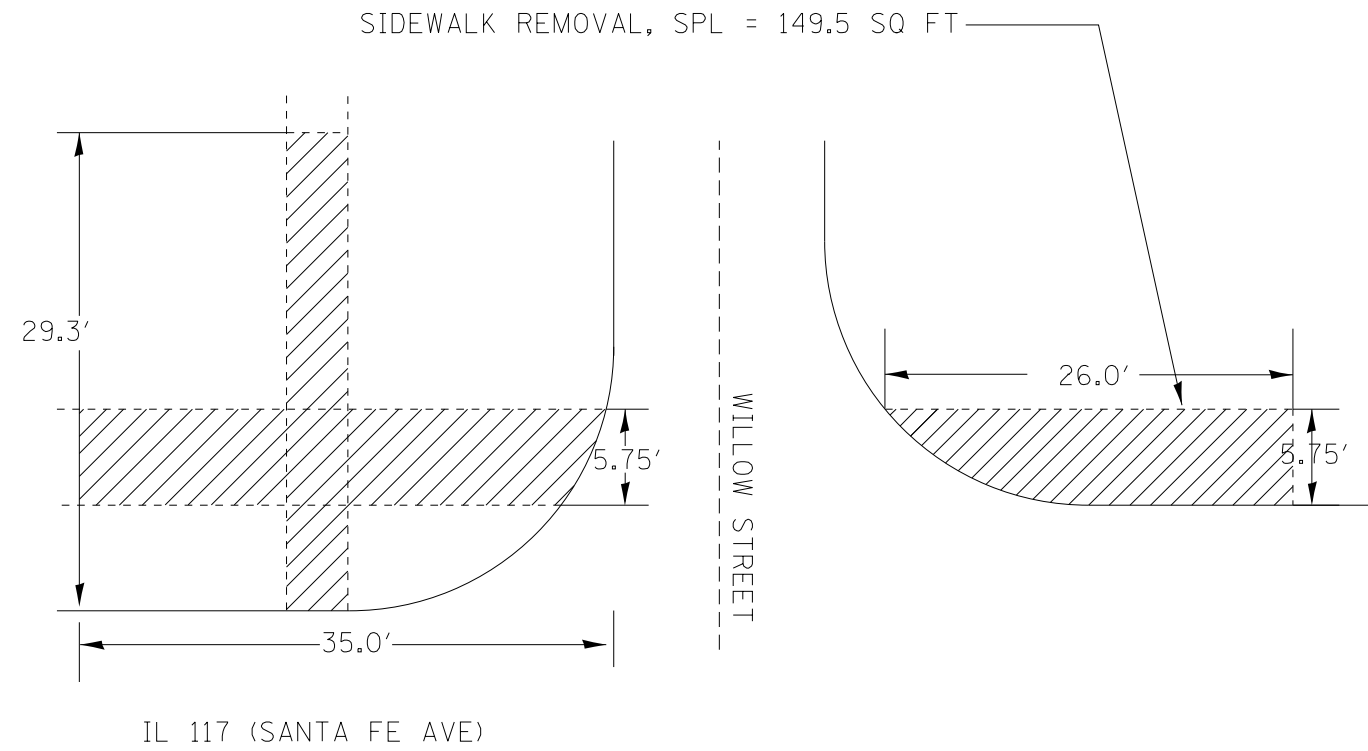


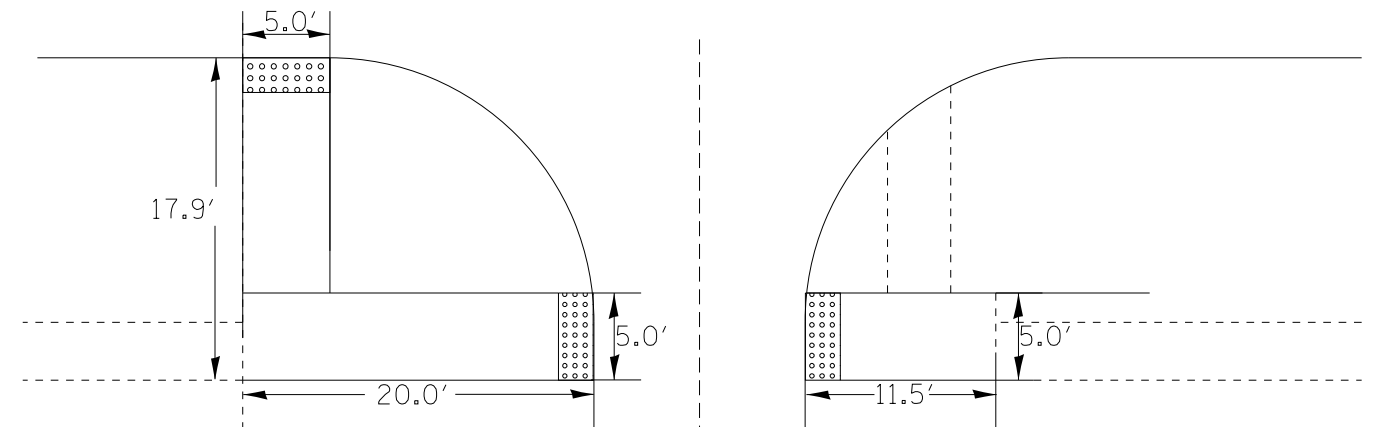
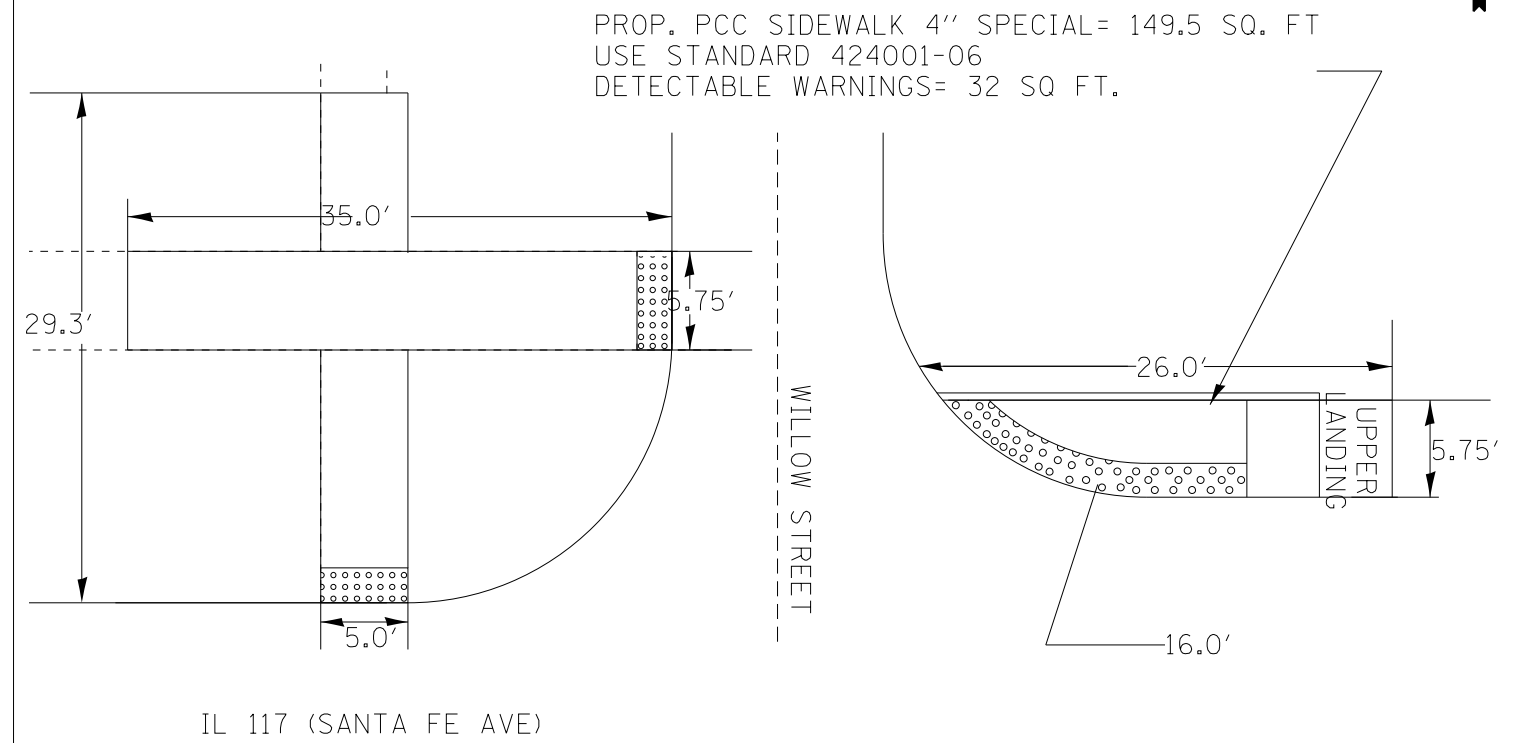
*USE STANDARD DETECTABLE WARNING W/ DIMENSIONS OF 5' X '2, UNLESS OTHERWISE NOTED.



EXISTING

REMOVAL

PROP. PCC SIDEWALK = 347.8 SQ FT
USE RURAL DETAIL A-A AND B-B
DETECTABLE WARNINGS= 20 SQ FT



PROP. PCC SIDEWALK = 189.5 SQ FT
USE RURAL DETAIL A-A AND B-B
DETECTABLE WARNINGS= 20 SQ FT

PROPOSED

PROP. PCC SIDEWALK = 57.5 SQ FT
USE RURAL DETAIL A-A AND B-B
DETECTABLE WARNINGS= 10 SQ FT

DRAWING NOT TO SCALE

FILE NAME = 68982.dgn	USER NAME = aubreys	DESIGNED -	REVISED -
Default	PLOT SCALE = 40.0000' / in.	DRAWN -	REVISED -
	PLOT DATE = 3/21/2013	CHECKED -	REVISED -
		DATE -	REVISED -

STATE OF ILLINOIS
DEPARTMENT OF TRANSPORTATION

SIDEWALK DETAILS (IL 117/SANTA FE) AND WILLOW ST.)

SCALE: SHEET 23 OF 51 SHEETS STA. 557+50 TO STA. 557+70

F.A.S. RTE.	SECTION	COUNTY	TOTAL SHEETS	SHEET NO.
2361	101 RS-4; 102 RS-5	MARSHALL	51	23
CONTRACT NO. 68982				
ILLINOIS FED. AID PROJECT				