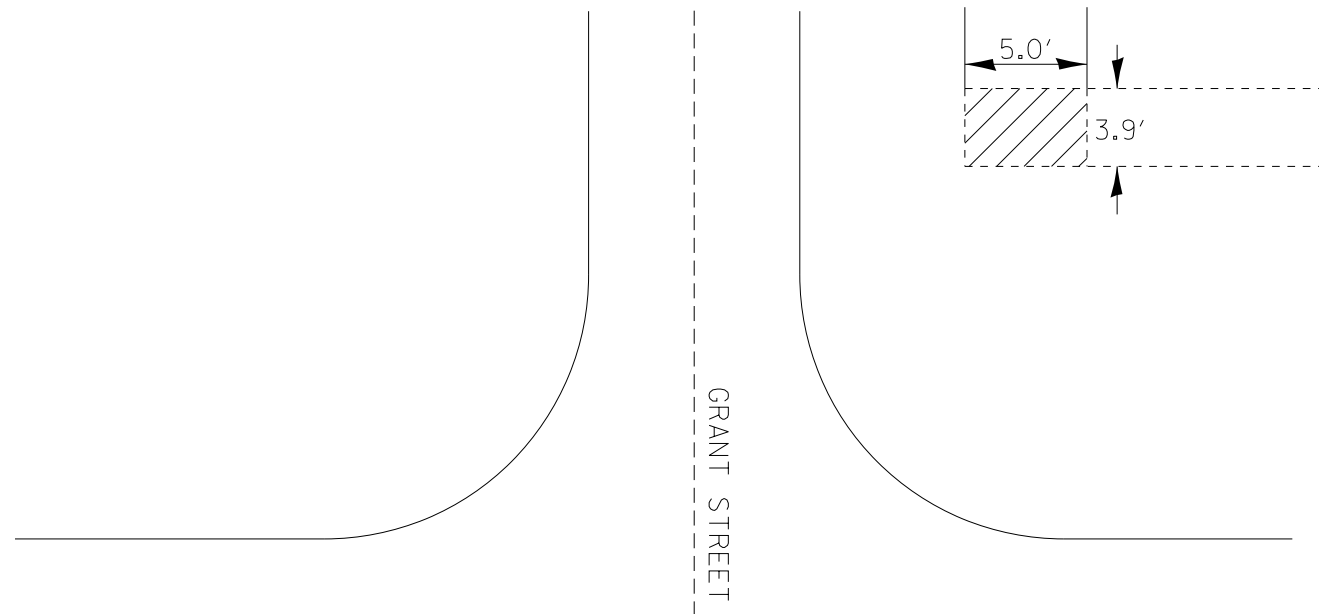


*USE STANDARD DETECTABLE WARNING W/ DIMENSIONS OF 5' X 2', UNLESS OTHERWISE NOTED.



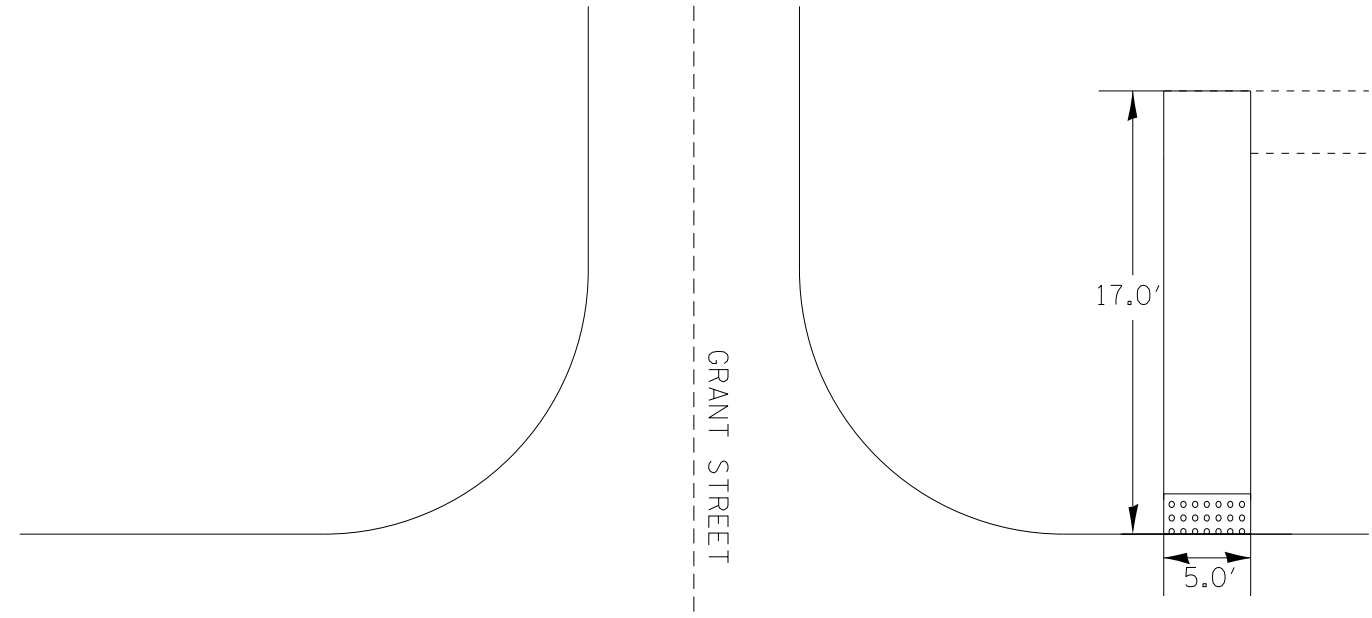
SIDEWALK REMOVAL = 19.5 SQ FT

5.0'



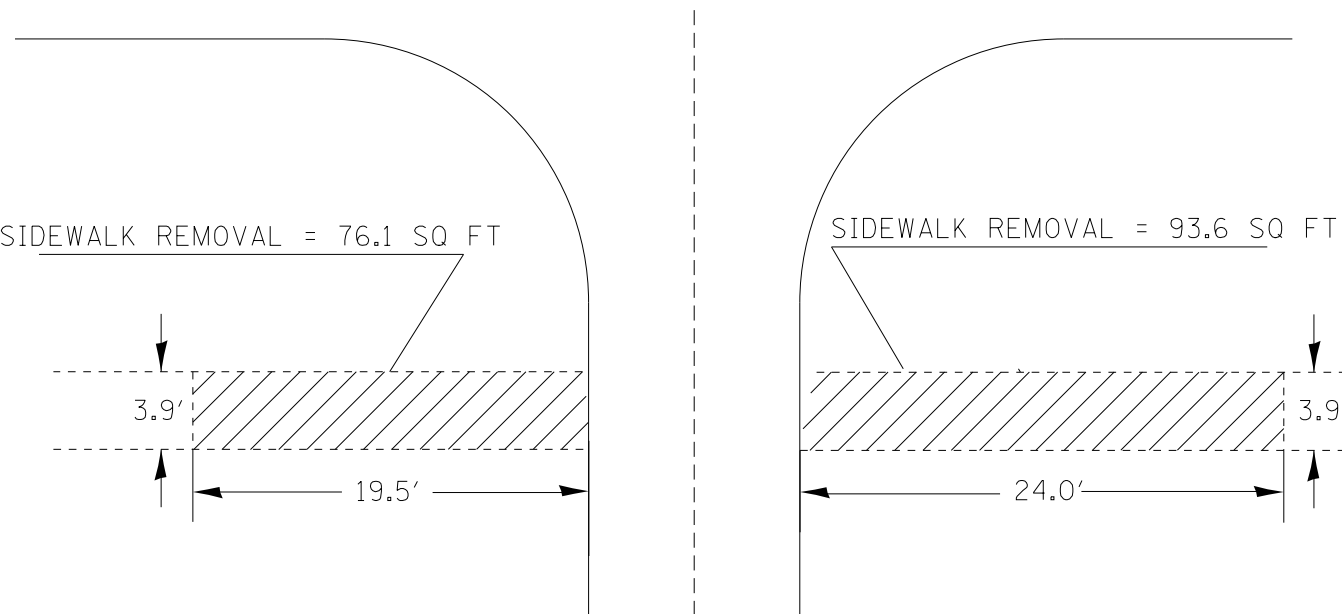
IL 117 (SANTA FE AVE)

PROP. PCC SIDEWALK = 85 SQ FT
USE RURAL DETAIL A-A AND B-B
DETECT. WARNINGS= 10 SQ FT



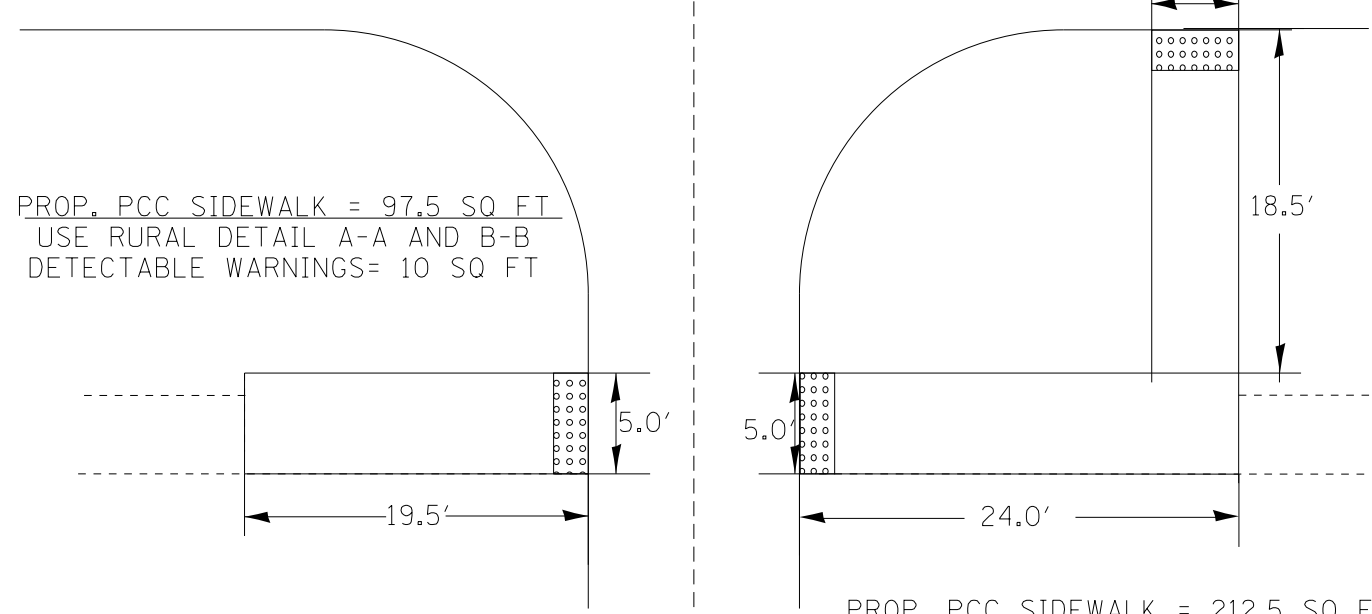
IL 117 (SANTA FE AVE)

SIDEWALK REMOVAL = 76.1 SQ FT



SIDEWALK REMOVAL = 93.6 SQ FT

PROP. PCC SIDEWALK = 97.5 SQ FT
USE RURAL DETAIL A-A AND B-B
DETECTABLE WARNINGS= 10 SQ FT



PROP. PCC SIDEWALK = 212.5 SQ FT
USE RURAL DETAIL A-A AND B-B
DETECTABLE WARNINGS = 20 SQ FT

EXISTING

PROPOSED

REMOVAL

DRAWING NOT TO SCALE

FILE NAME = 68982.dgn	USER NAME = aubreys	DESIGNED -	REVISED -
Default		DRAWN -	REVISED -
	PLOT SCALE = 40.0000' / in.	CHECKED -	REVISED -
	PLOT DATE = 3/21/2013	DATE -	REVISED -

STATE OF ILLINOIS
DEPARTMENT OF TRANSPORTATION

SIDEWALK DETAILS (IL 117/SANTA FE AND GRANT)

SCALE: SHEET 21 OF 51 SHEETS STA. 550+50 TO STA. 551+00

F.A.S. RTE.	SECTION	COUNTY	TOTAL SHEETS	SHEET NO.
2361	101 RS-4; 102 RS-5	MARSHALL	51	21
CONTRACT NO. 68982				
ILLINOIS FED. AID PROJECT				