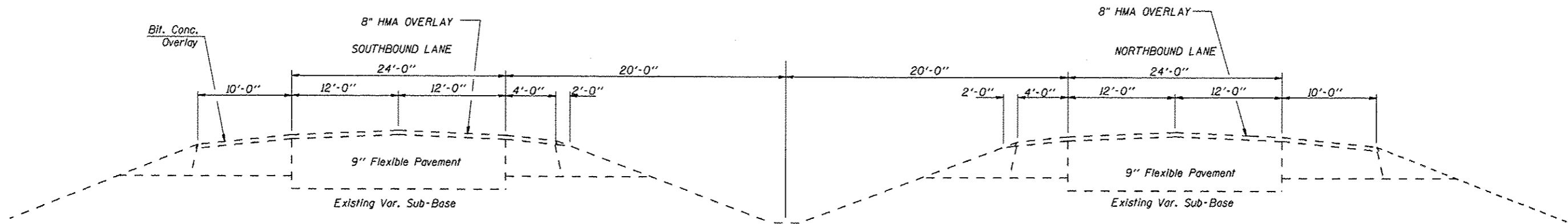


**TYPICAL SECTION**  
MM 301.94 TO MM 307.60



**TYPICAL SECTION**  
MM 307.60 TO MM 309.96

FILE NAME = c:\pwwork\pwwork\patel\j\100335477\036689.dwg	USER NAME = patel,j	DESIGNED -	REVISED -	<b>STATE OF ILLINOIS DEPARTMENT OF TRANSPORTATION</b>	<b>TYPICAL SECTIONS</b>			F.A.I. RTE.	SECTION	COUNTY	TOTAL SHEETS	SHEET NO.
	PLT SCALE = 1/8" = 1'-0"	CHECKED -	REVISED -					57	D3 PATCHING 2014-3	KANKAKEE	17	4
PLT DATE = 4/3/2013	DATE -	REVISED -	REVISED -		SCALE:	SHEET NO. 1 OF 1 SHEETS	STA.	TO STA.	CONTRACT NO. 66C89			
ILLINOIS FED. AID PROJECT												