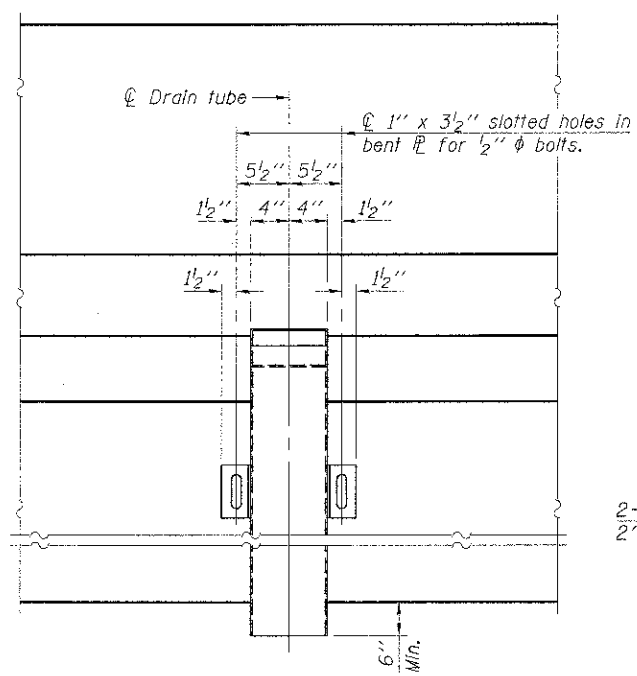


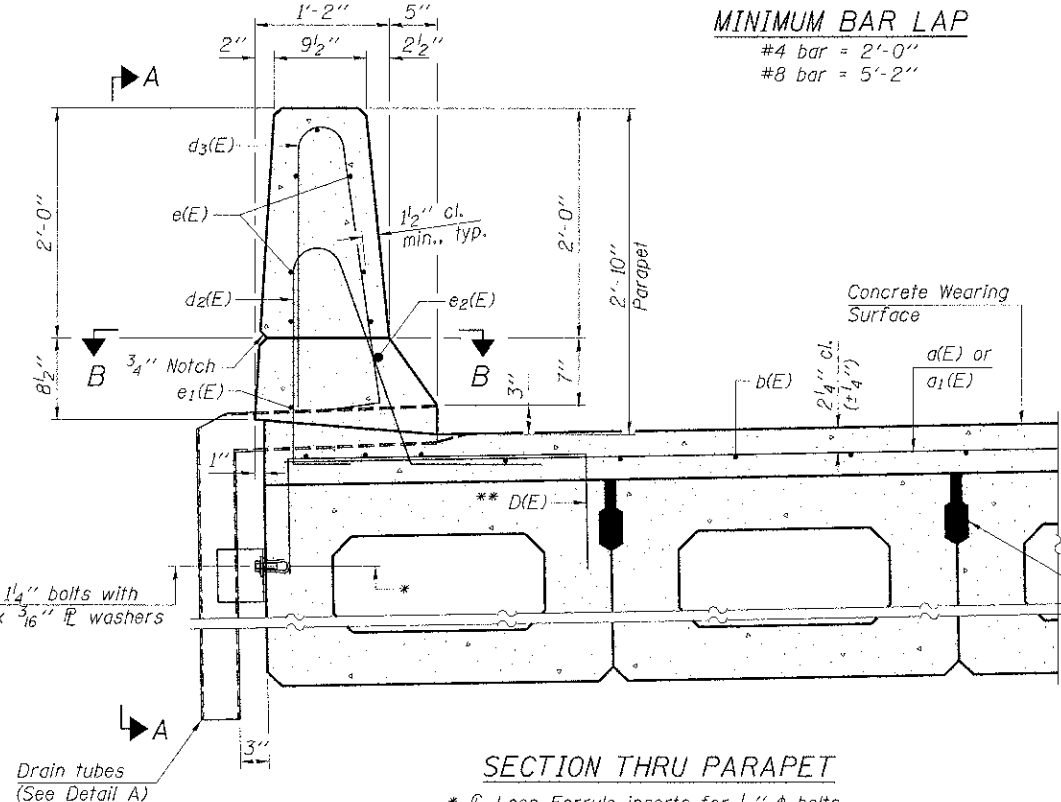
INSIDE ELEVATION OF PARAPET

BAR d2(E) BAR d3(E)

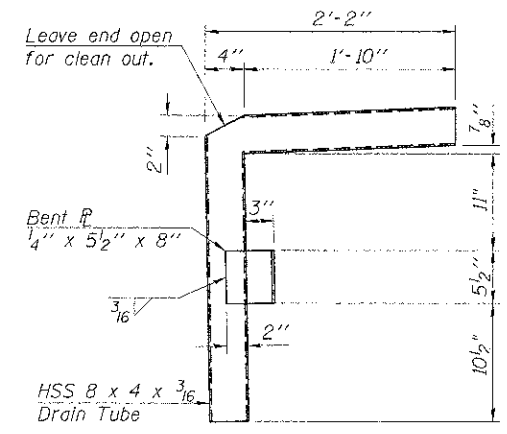
MINIMUM BAR LAP
 #4 bar = 2'-0"
 #8 bar = 5'-2"



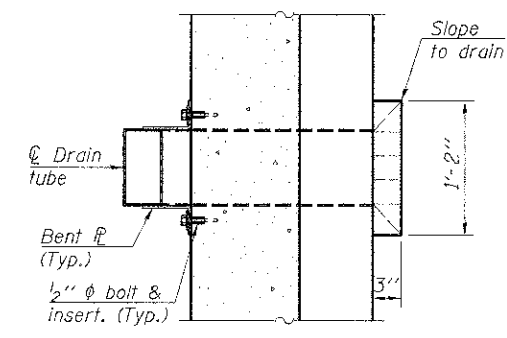
VIEW A-A



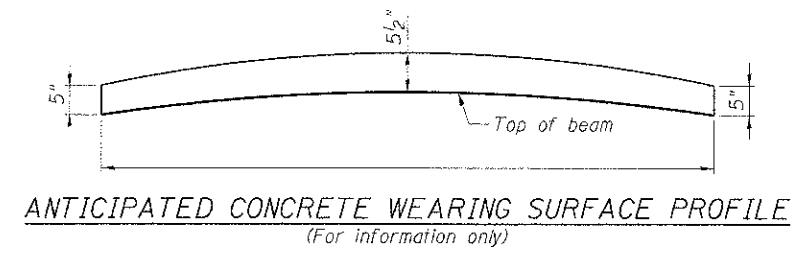
SECTION THRU PARAPET



DETAIL A



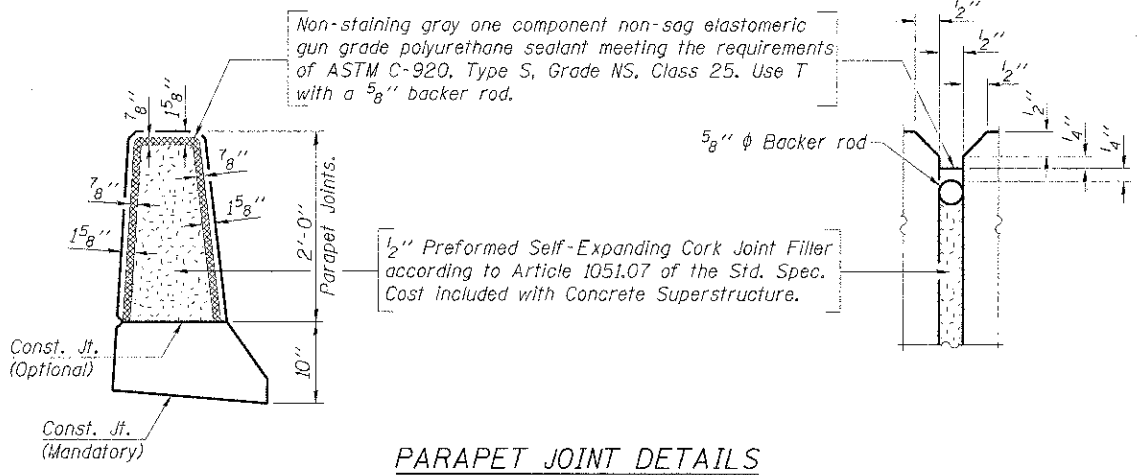
SECTION B-B



ANTICIPATED CONCRETE WEARING SURFACE PROFILE
 (For information only)

Note:
 All drain tubes and accessories shall be galvanized according to AASHTO M111 or M232, (as applicable).
 The cost of the drain tube assemblies and everything necessary for their installation is included with Concrete Superstructure.

* Loop Ferrule inserts for 1/2" bolts. Place at center of beam depth.
 ** Place #4 D(E) bars at 9" cts. in fascia beam. D(E) bar included in cost of beam.



PARAPET JOINT DETAILS

FILE NAME: \\REVROLLINGMEADOWS\983618R125\DESIGN\9803618R126-54.SHT	DESIGNED -	REVISED -	STATE OF ILLINOIS DEPARTMENT OF TRANSPORTATION	CARRIAGEWAY DRIVE SUPERSTRUCTURE DETAILS	F.A. RTE.	SECTION	COUNTY	TOTAL SHEETS	SHEET NO.
PLLOT SCALE -	CHECKED -	REVISED -			10-00101-00-BR	COOK	34	21	
PLLOT DATE -	DRAWN -	REVISED -			CONTRACT NO. 63787				
	CHECKED -	REVISED -			SHEET NO. S4 OF S12 SHEETS				
					ILLINOIS FED. AID PROJECT				