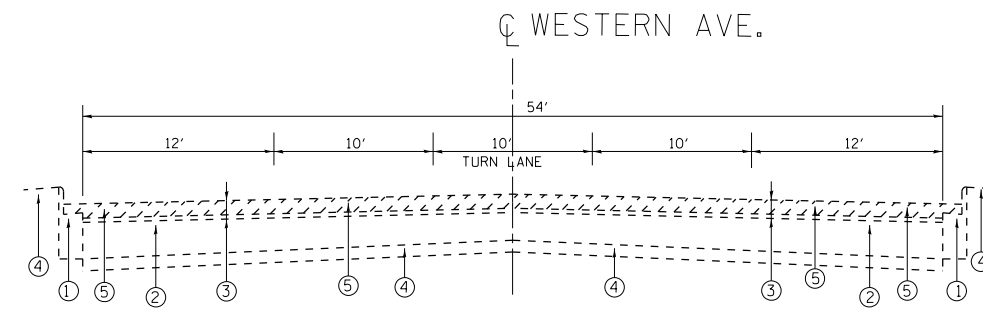
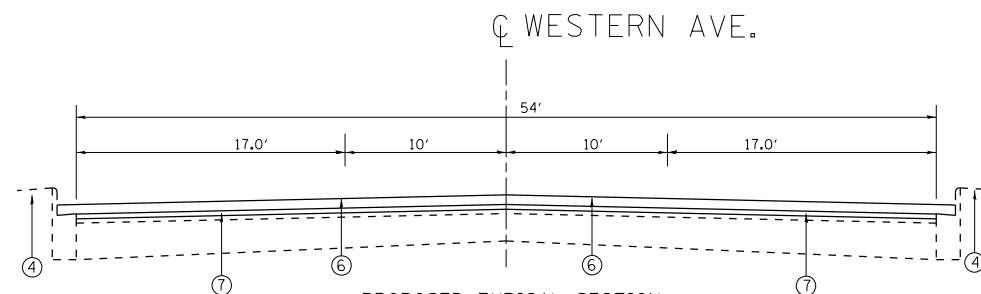


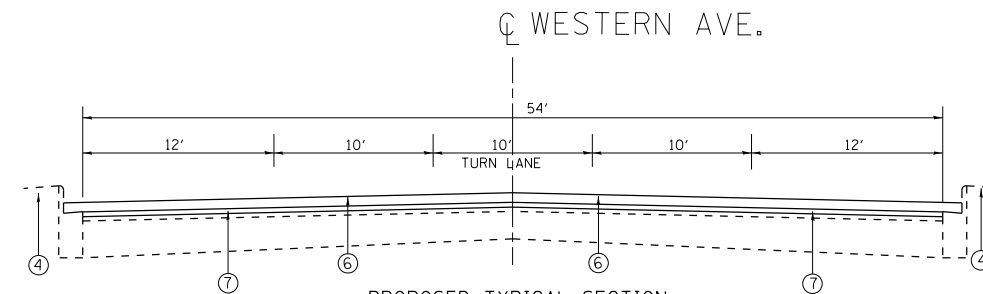
EXISTING TYPICAL SECTION  
WESTERN AVENUE  
STA. 149+39 TO STA. 168+51  
STA. 173+36 TO STA. 180+18  
STA. 187+43 TO STA. 195+10  
STA. 199+90 TO STA. 221+57  
STA. 226+31 TO STA. 247+52  
STA. 255+03 TO STA. 258+51  
STA. 264+01 TO STA. 264+61  
STA. 266+19 TO STA. 274+81  
STA. 279+54 TO STA. 281+35  
(RESTRICTED PARKING THROUGHOUT)



EXISTING TYPICAL SECTION  
WESTERN AVENUE  
STA. 168+51 TO STA. 173+36  
STA. 180+18 TO STA. 187+43  
STA. 195+10 TO STA. 199+90  
STA. 221+57 TO STA. 226+31  
STA. 254+03 TO STA. 255+03  
STA. 258+51 TO STA. 264+01  
STA. 274+81 TO STA. 279+54  
STA. 281+35 TO STA. 285+10  
(RESTRICTED PARKING THROUGHOUT)



PROPOSED TYPICAL SECTION  
WESTERN AVENUE  
STA. 149+39 TO STA. 168+51  
STA. 173+36 TO STA. 180+18  
STA. 187+43 TO STA. 195+10  
STA. 199+90 TO STA. 221+57  
STA. 226+31 TO STA. 247+52  
STA. 255+03 TO STA. 258+51  
STA. 264+01 TO STA. 264+61  
STA. 266+19 TO STA. 274+81  
STA. 279+54 TO STA. 281+35  
(RESTRICTED PARKING THROUGHOUT)



PROPOSED TYPICAL SECTION  
WESTERN AVENUE  
STA. 168+51 TO STA. 173+36  
STA. 180+18 TO STA. 187+43  
STA. 195+10 TO STA. 199+90  
STA. 221+57 TO STA. 226+31  
STA. 254+03 TO STA. 255+03  
STA. 258+51 TO STA. 264+01  
STA. 274+81 TO STA. 279+54  
STA. 281+35 TO STA. 285+10  
(RESTRICTED PARKING THROUGHOUT)

**LEGEND:**

- ① EXISTING CURB & GUTTER B 6.12
- ② EXISTING CONCRETE BASE COURSE ±9.5"
- ③ EXISTING HMA OVERLAY ±4.0"
- ④ EXISTING PARKWAY VARIES, GRASS, CONCRETE, BRICK OR HMA
- ⑤ PROPOSED HOT-MIX ASPHALT SURFACE REMOVAL, 2 1/2"
- ⑥ PROPOSED POLYMERIZED HOT-MIX ASPHALT SURFACE COURSE, MIX "F", N90, (IL 9.5mm); 1 3/4"
- ⑦ PROPOSED POLYMERIZED LEVELING BINDER (MACHINE METHOD), IL-4.75, N50; 3/4"

**NOTES:**

- 1. HMA MILLING OVER GUTTER FLAG AT INTERMITTANT LOCATIONS WILL BE PAID FOR AT THE CONTRACT UNIT PRICE PER SOYD FOR HOT-MIX ASPHALT SURFACE REMOVAL, 2 1/2".
- 2. SEE ROADWAY PLAN FOR LIMITS OF CLASS B PATCHING ONLY IN THE RESURFACING OMISSIONS.

FILE NAME =	USER NAME = obreueh	DESIGNED -	REVISED -	<b>STATE OF ILLINOIS DEPARTMENT OF TRANSPORTATION</b>	<b>WESTERN AVENUE (34TH STREET TO COLUMBUS DRIVE) TYPICAL SECTIONS</b>	F.A.P. RTE.	SECTION	COUNTY	TOTAL SHEETS	SHEET NO.
et:\pw\work\p\idot\obreueh\d0282900\0104212-Design.dgn	DRAWN -	REVISED -	370			2011-089-R5	COOK	30	7	
PLOT SCALE = 100.0000' / 1in.	CHECKED -	REVISED -	CONTRACT NO. 60R16							
PLOT DATE = 4/11/2013	DATE -	REVISED -	FED. ROAD DIST. NO. 1 ILLINOIS FED. AID PROJECT							
				SCALE: NTS	SHEET NO. OF SHEETS	STA. X	TO STA. X			