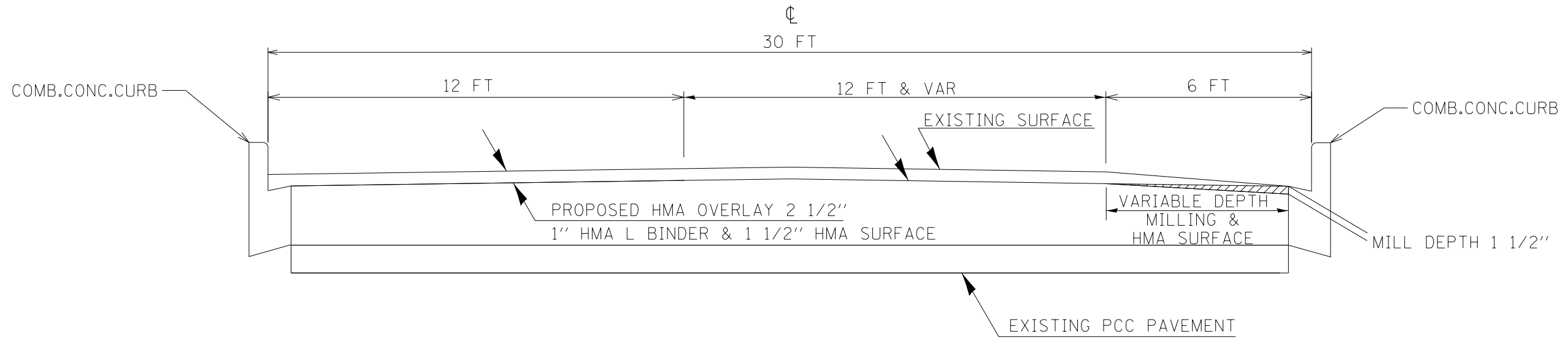


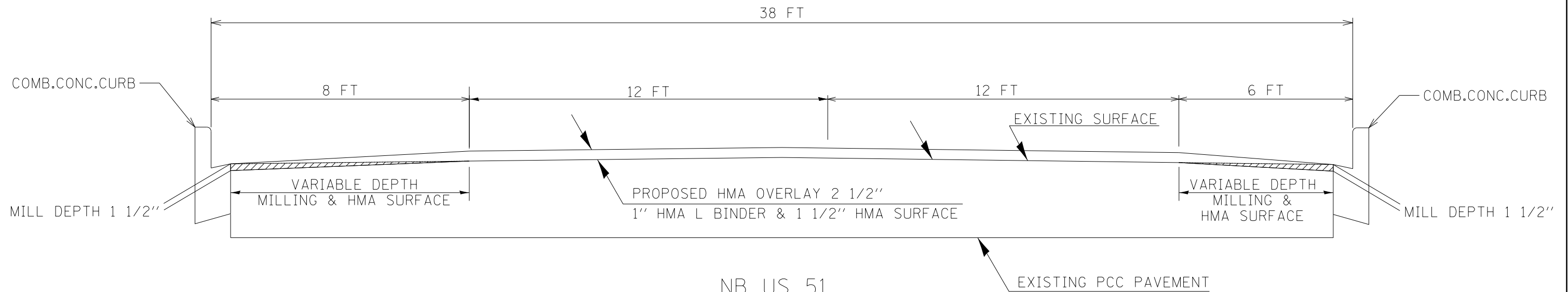
TYPICAL SECTION
US RTE 51
EXISTING PCC PAVEMENT



13' RT STA 48+97.77 => STA ON+00
EQUATION STA 40N+05 BK = STA 0S+00 AH

SB US 51
*STA ON+87.16 TO STA 9N+21.23
**STA 3S+69.80 TO STA 6S+20.74

*STA 6N+71 TO STA 9N+21.23 TRANSITION AREA
**TRANSITION AREA



NB US 51
STA 78+78.28 TO STA 94+91.7
TYPICAL SHOWN IN DIRECTION OF TRAVEL

FILE NAME =	USER NAME = \$USER\$	DESIGNED -	REVISED -	STATE OF ILLINOIS DEPARTMENT OF TRANSPORTATION	TYPICAL SECTIONS SHEET 2 OF 3				F.A.P. RTE.	SECTION	COUNTY	TOTAL SHEETS	SHEET NO.		
ci:\pw\work\p\idot\leftwichdl\d0381784\7814-sha-misc.dgn		DRAWN -	REVISED -		SCALE:	SHEET	OF	SHEETS	STA.	TO STA.	322	(1-1)RS-1, 1ORS-2, 9RS-6	JACKSON	26	9
\$MODELNAME\$		CHECKED -	REVISED -												
		DATE -	REVISED -												