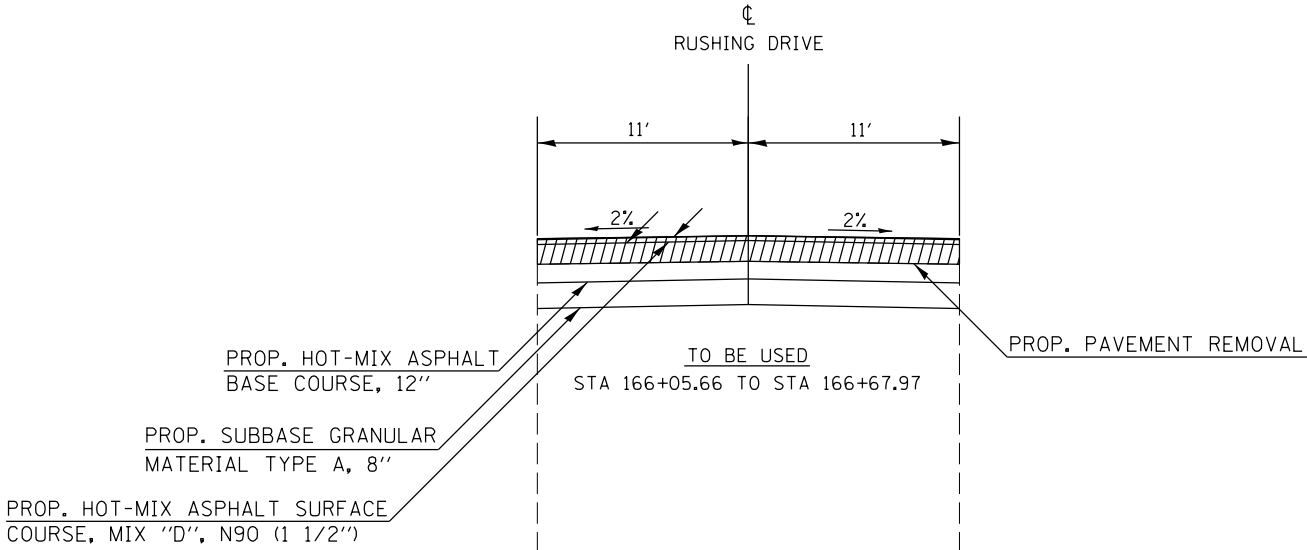
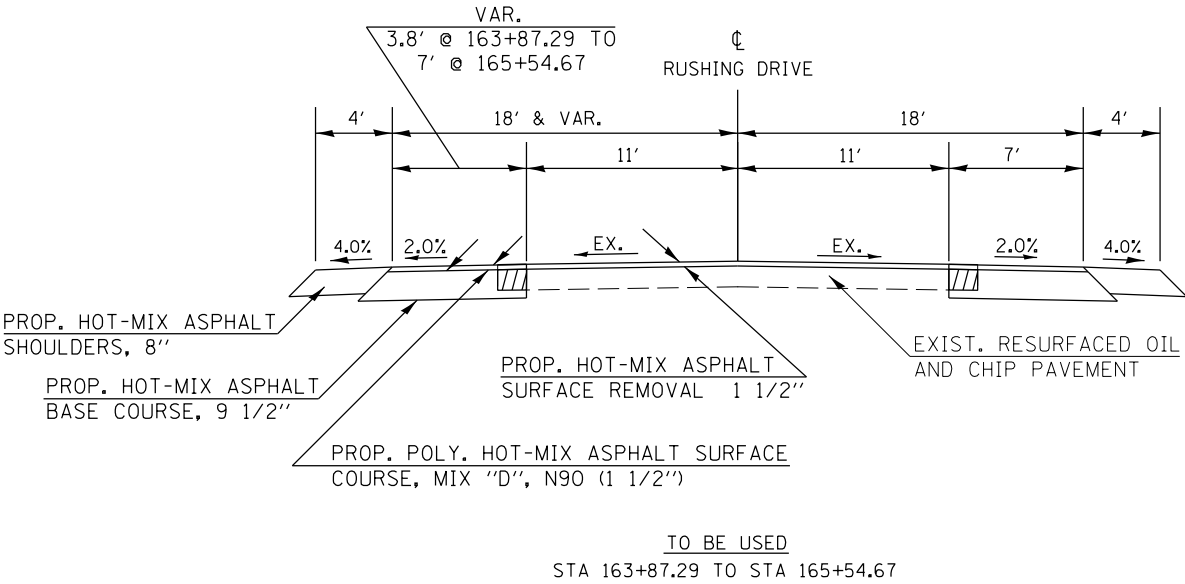
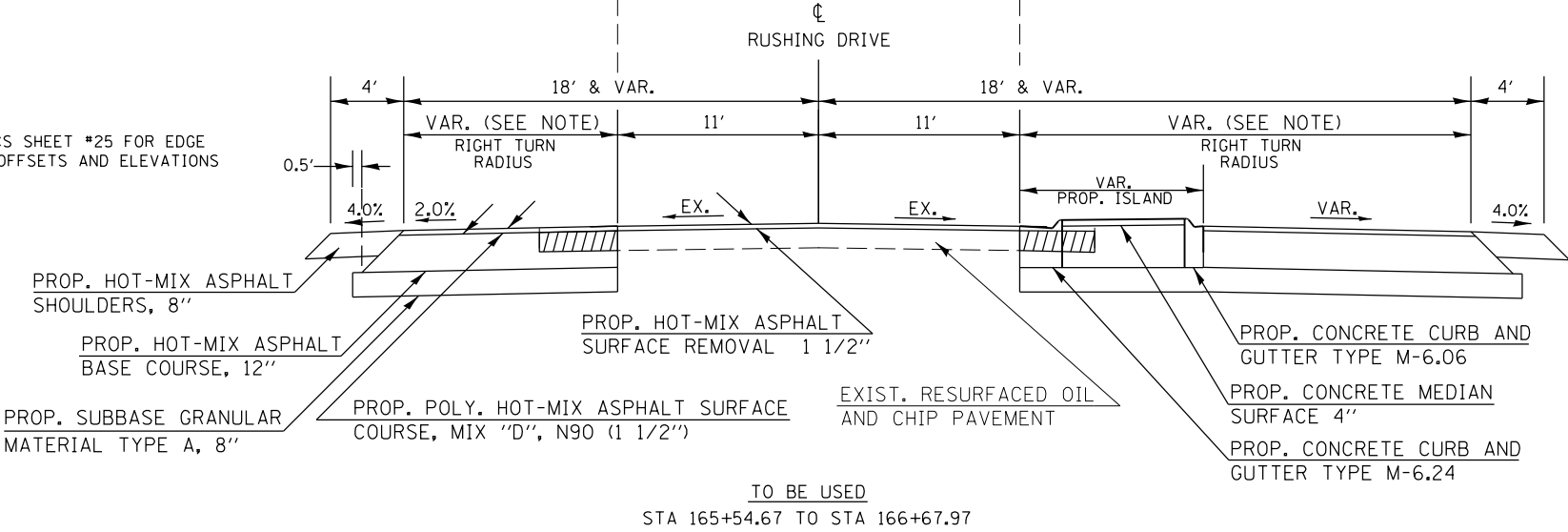


TYPICAL SECTIONS



— SAW CUT AND REMOVE PAVMENT @ 11' OFFSET FROM CL

NOTE:
SEE GEOMETRICS SHEET #25 FOR EDGE
OF PAVEMENT OFFSETS AND ELEVATIONS



FILE NAME =	USER NAME = \$USER\$	DESIGNED -	REVISED -	STATE OF ILLINOIS DEPARTMENT OF TRANSPORTATION	TYPICAL SECTIONS RUSHING DRIVE			F.A.P. RTE.	SECTION	COUNTY	TOTAL SHEETS	SHEET NO.
ct:\pw\work\p\id\puffere\id0374570\78402-shrb-tp-sch-ties-geopakelements.dgn		DRAWN -	REVISED -					726	(1-2) N-3	WILLIAMSON	50	10
\$MODELNAME\$		PLOT SCALE = 10.0000' / in.	CHECKED -		SCALE: SHEET OF SHEETS STA. TO STA.			CONTRACT NO. 78402				
		PLOT DATE = 3/28/2014	DATE -					ILLINOIS FED. AID PROJECT				