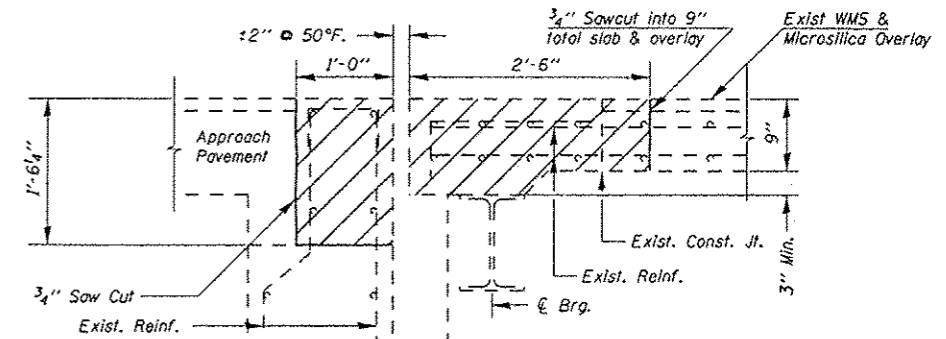
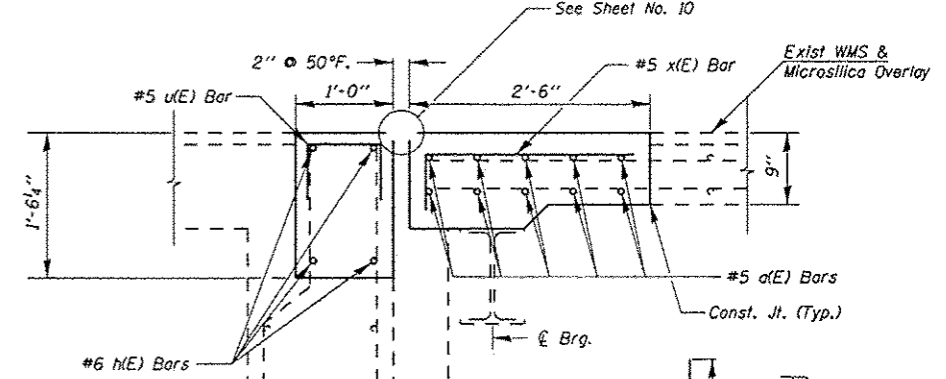


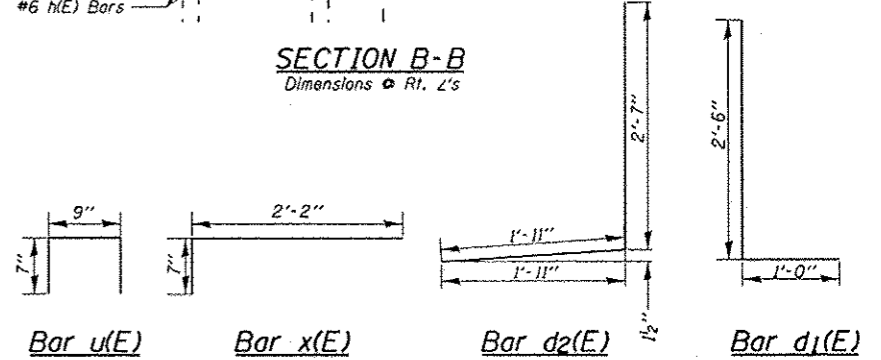
Notes:
 • Field verify (match existing)
 • Bend or turn bars in field to fit.
 Dimensions are based on a rolled roll strip joint.
 If the contractor elects to use welded roll strip seal joint deck dimensions may require adjustments to satisfy the details on base sheet EJ-SSJ.



SECTION A-A
 Dimensions of Rt. L's



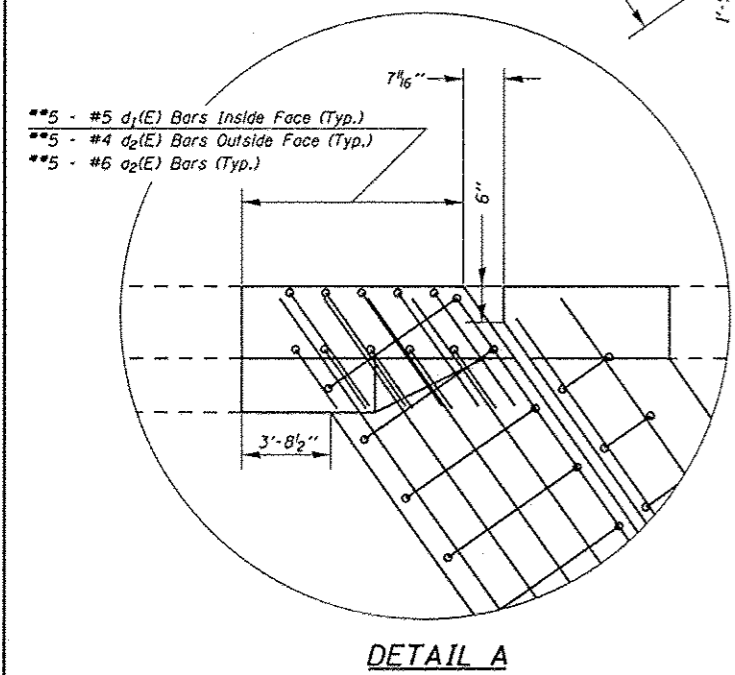
SECTION B-B
 Dimensions of Rt. L's



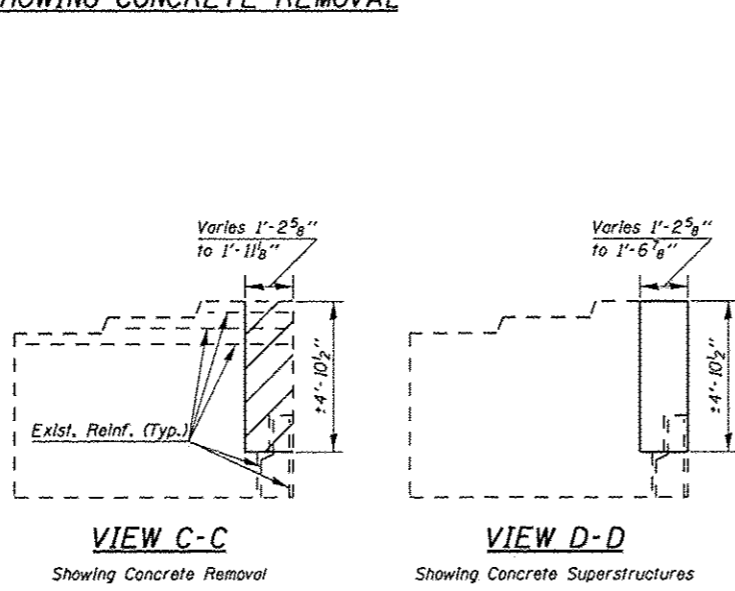
BILL OF MATERIAL (2 ABUTMENTS)

JOINT @ ABUTMENT
 SHOWING CONCRETE REMOVAL

JOINT @ ABUTMENT
 SHOWING NEW CONCRETE

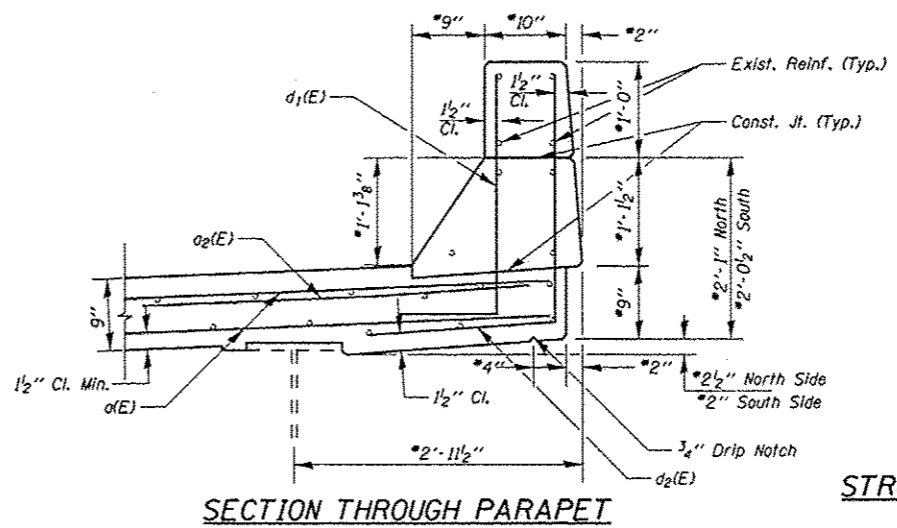


DETAIL A



VIEW C-C
 Showing Concrete Removal

VIEW D-D
 Showing Concrete Superstructures



SECTION THROUGH PARAPET

BAR NO.	SIZE	LENGTH	SHAPE
d1(E)	40 5	25'-4"	—
d2(E)	20 6	4'-0"	—
d1(E)	20 5	3'-6"	L
d2(E)	20 4	3'-6"	L
h(E)	16 6	25'-4"	—
u(E)	100 5	1'-11"	□
x(E)	100 5	2'-9"	□
CONCRETE SUPERSTRUCTURE			CU YD 16.7
CONCRETE REMOVAL			CU YD 16.9
BAR SPLICERS			EACH 28
REINFORCEMENT BARS EPOXY COATED			POUND 2400

JOINT REPLACEMENT &
 REINFORCEMENT DETAILS
 STRUCTURE 041-0070 EAST ABUTMENT
 041-0071 WEST ABUTMENT