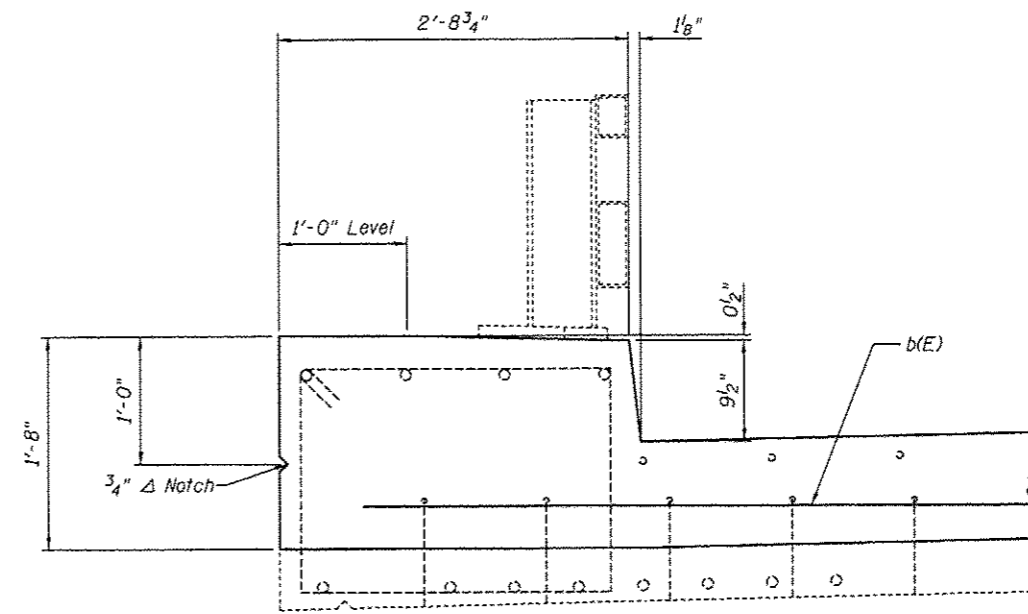
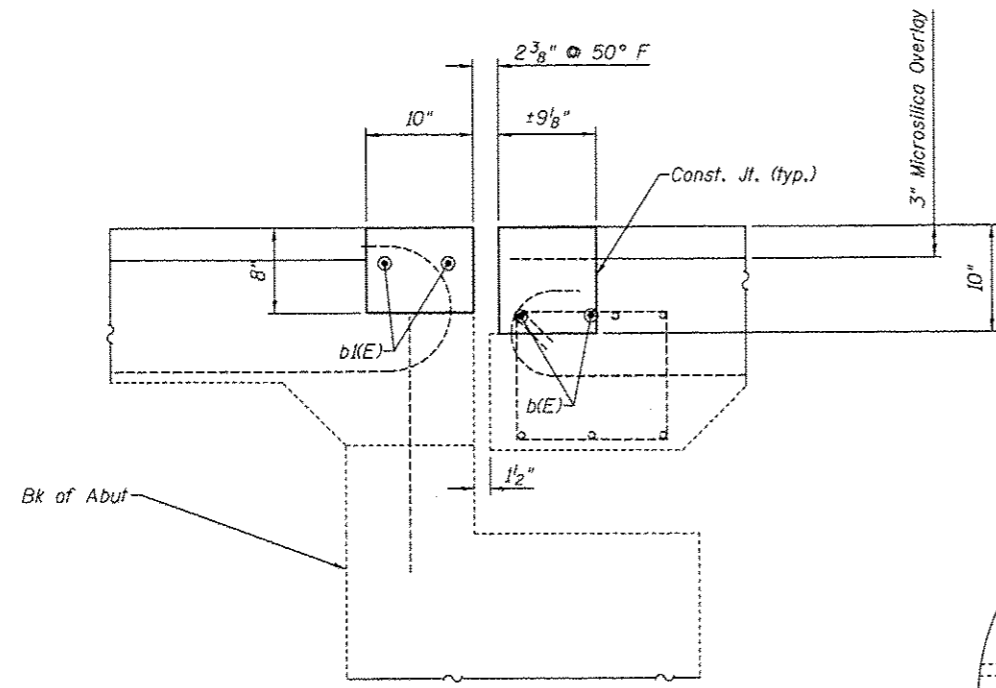


SECTION A-A

All dimensions are at right angles to jt.

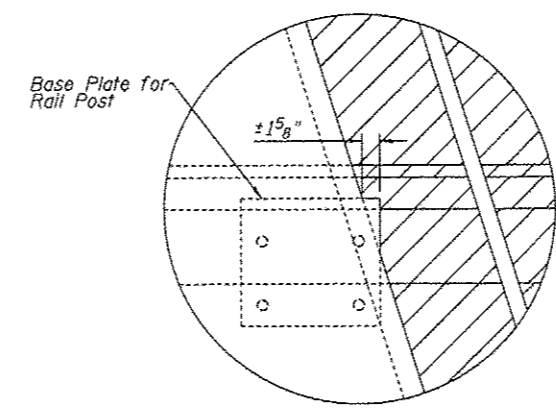


CURB SECTION (DECK)

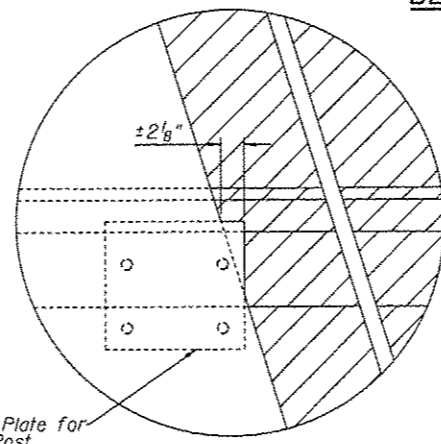


SECTION B-B

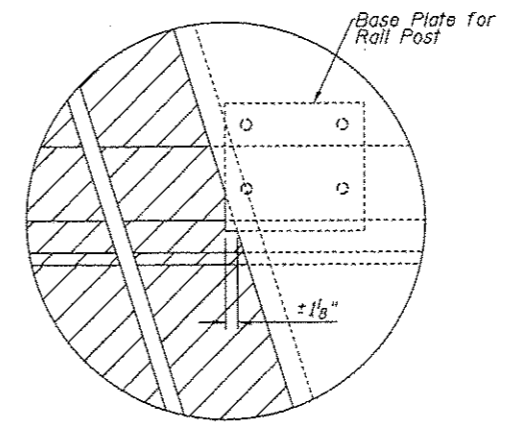
All dimensions are at right angles to jt.



DETAIL "C"



DETAIL "B"



DETAIL "A"

BILL OF MATERIAL

Bar	No.	Size	Length	Shape
b(E)	8	#5	17'-11"	—
b(E)	8	#5	16'-8"	—
Concrete Removal			Cu. Yd.	4.0
Concrete Superstructure			Cu. Yd.	3.8
Reinforcement Bars, Epoxy Coated			Lbs.	290

Reinforcement bars designated (E) shall be epoxy coated.