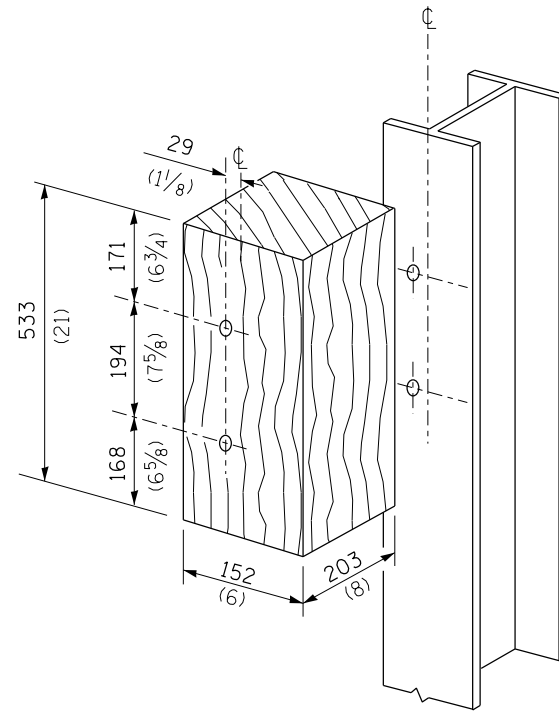
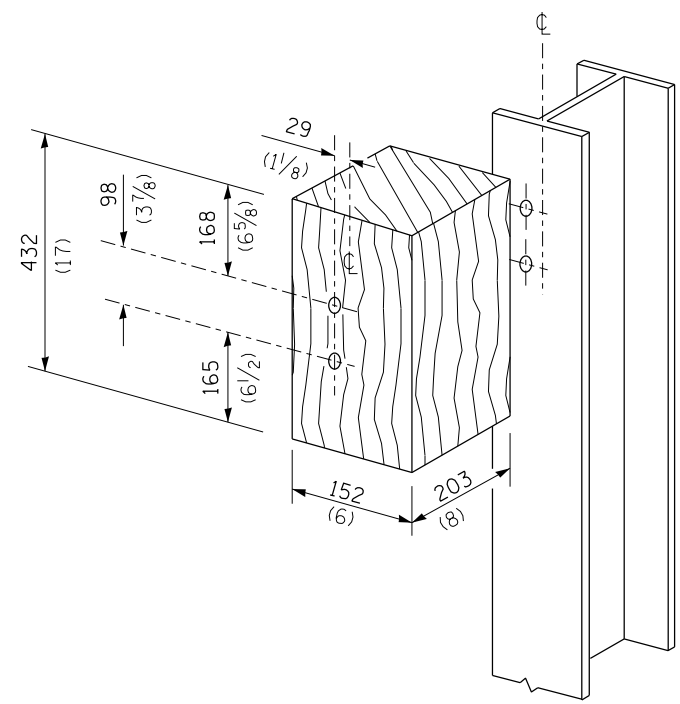


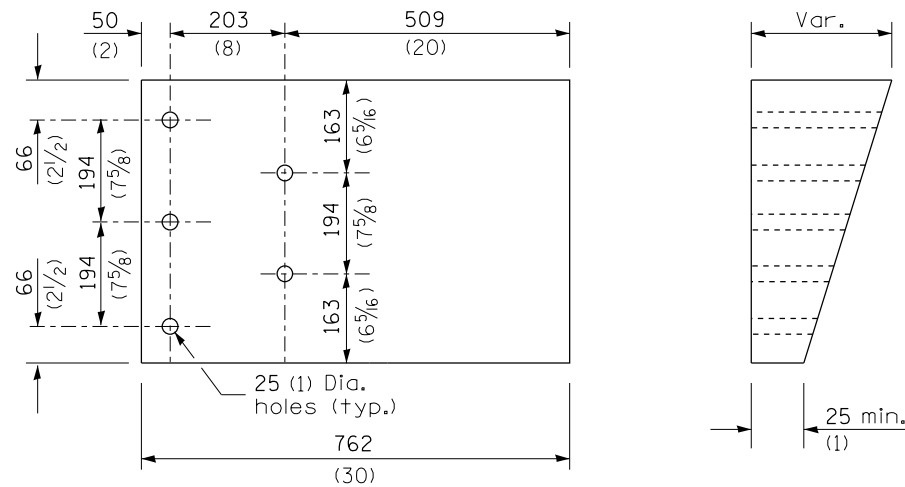
THRIE BEAM END SHOE DETAIL



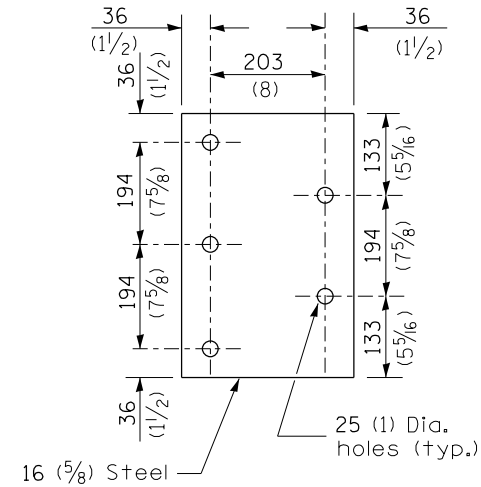
POSTS 1-11 WOOD BLOCKOUT DETAIL



POST 12 WOOD BLOCKOUT DETAIL



PARAPET WOOD BLOCK-OUT DETAIL



PARAPET STEEL BEARING PLATE DETAIL

(5 each individual 125x125x16 (5x5x5/8) steel plates with centered 25 (1) holes may be substituted for the plate shown.)

FILE NAME =	USER NAME = sparksgw	DESIGNED -	REVISED -	STATE OF ILLINOIS DEPARTMENT OF TRANSPORTATION	PRE-MGS HIGHWAY STANDARD 631031-05 TRAFFIC BARRIER TERMINAL, TYPE 6 EFFECTIVE 4-1-06 (SHEET 3 OF 3)	F.A. RTE.	SECTION	COUNTY	TOTAL SHEETS	SHEET NO.	
Default	2082-Pre-MGS Highway Standard 631031-05.dgn	DRAWN -	REVISED -			• VA	••	••	17	16	
	PLOT SCALE = 26.0000 ' / in.	CHECKED -	REVISED -			CONTRACT NO. 72G82		ILLINOIS FED. AID PROJECT			
	PLOT DATE = Mar-27-2014 02:18:56PM	DATE -	REVISED -			SCALE: SHEET OF SHEETS STA. TO STA.		•• D6 CABLE/GUARDRAIL 2015 •• VAR			