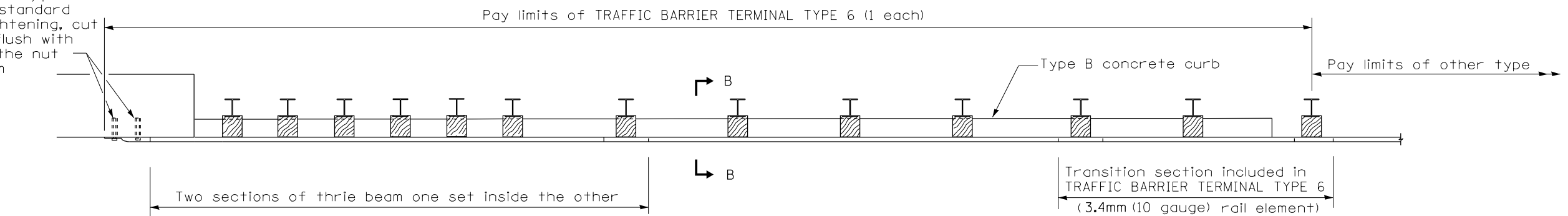
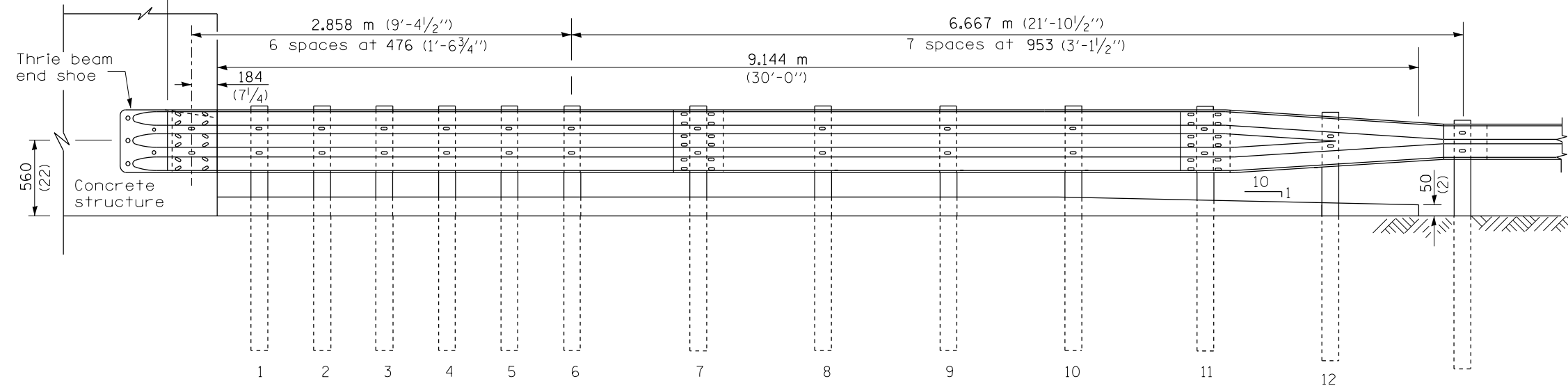


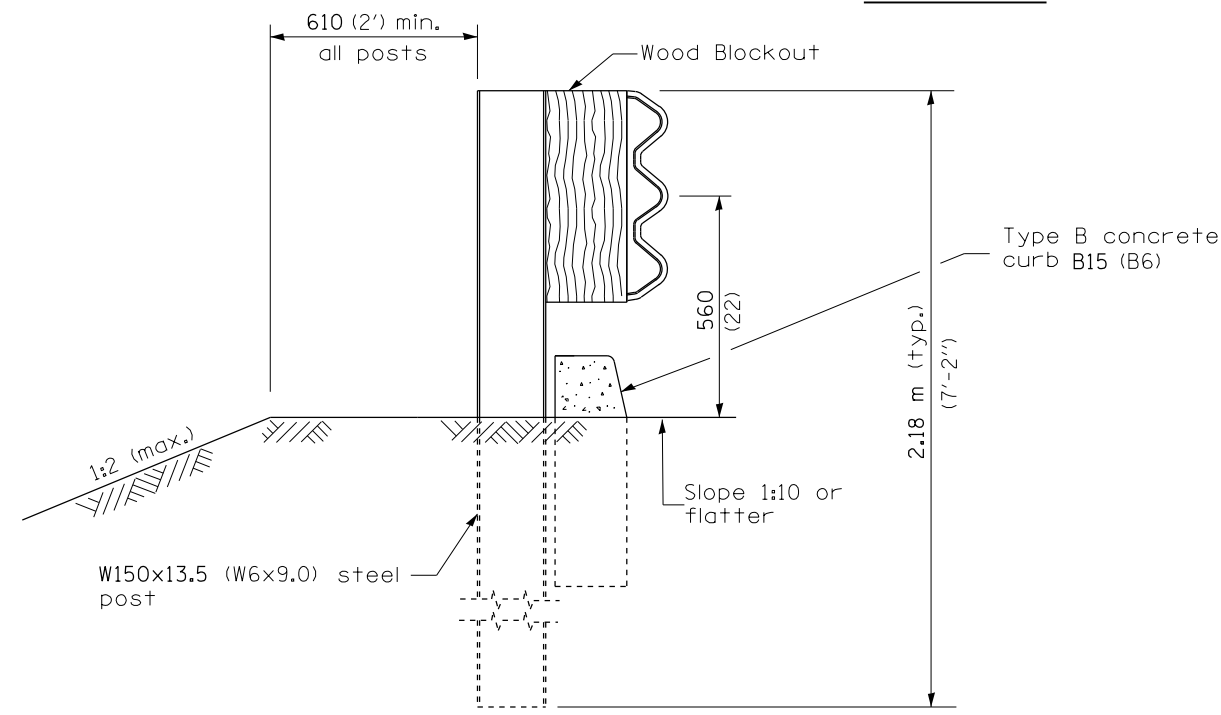
5 Epoxy grouted M20 (3/4") anchor bolts with standard washers. After tightening, cut the anchor bolts flush with nuts, and damage the nut to prevent it from loosening.



PLAN



ELEVATION



SECTION B-B

FILE NAME =	USER NAME = sparksgw	DESIGNED -	REVISED -
ct:\pw\work\p\id\sparksgw\10381776\0672082-Pre-MGS Highway Standard 631031-05.dgn		DRAWN -	REVISED -
Default	PLOT SCALE = 26.0000' / in.	CHECKED -	REVISED -
	PLOT DATE = Mar-27-2014 02:18:56PM	DATE -	REVISED -

STATE OF ILLINOIS
DEPARTMENT OF TRANSPORTATION

PRE-MGS HIGHWAY STANDARD 631031-05
TRAFFIC BARRIER TERMINAL, TYPE 6
EFFECTIVE 4-1-06 (SHEET 2 OF 3)

F.A. RTE.	SECTION	COUNTY	TOTAL SHEETS	SHEET NO.
• VA	•••	••	17	15
CONTRACT NO. 72G82			ILLINOIS FED. AID PROJECT	

SCALE: SHEET OF SHEETS STA. TO STA.

••• D6 CABLE/GUARDRAIL 2015

•• VAR