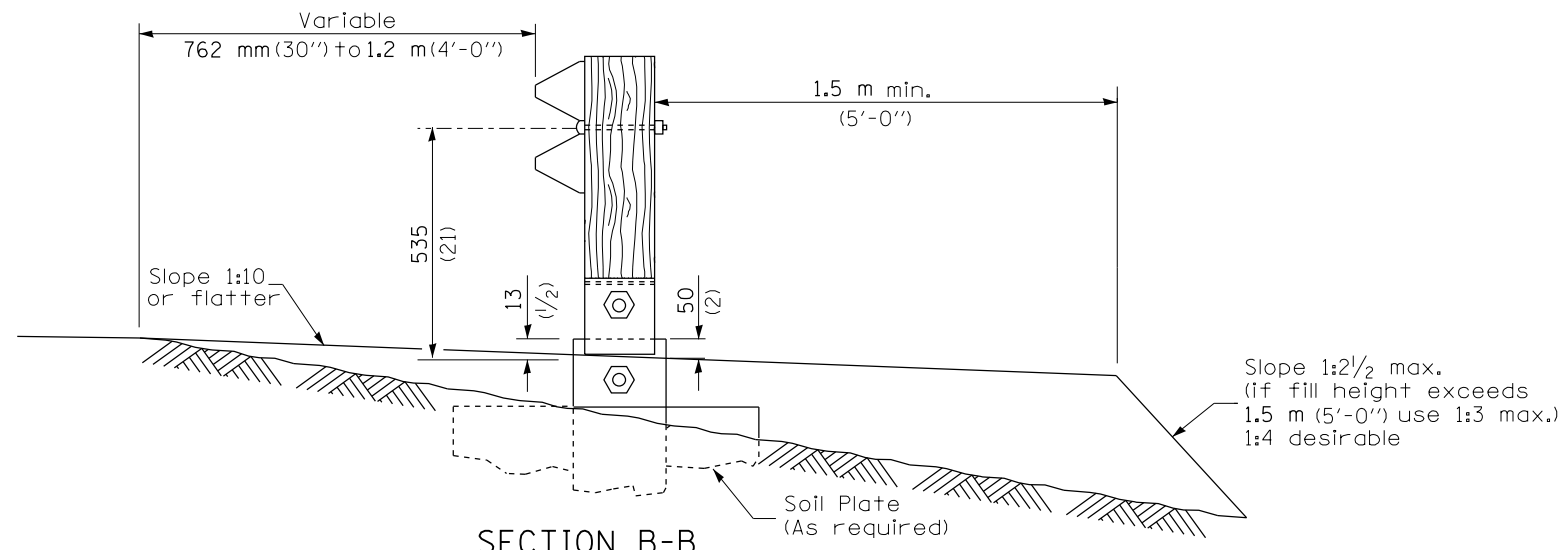


**SHOULDER WIDENING TRANSITION  
FOR FLARED TERMINAL**



**SECTION B-B**  
(End section omitted for clarity.)

FILE NAME =	USER NAME = sparksgw	DESIGNED -	REVISED -	<b>STATE OF ILLINOIS DEPARTMENT OF TRANSPORTATION</b>	<b>PRE-MGS HIGHWAY STANDARD 630301-03 SHOULDER WID. FOR TYPE 1 (SPL) GUARDRAIL TERMINAL EFFECTIVE 4-1-06</b>				F.A. RTE.	SECTION	COUNTY	TOTAL SHEETS	SHEET NO.
Default	ct:\pw\work\p\dot\sparksgw\0381776\0672082-Pre-MGS HWAY_Standard 630301-03.dgn	DRAWN -	REVISED -		SCALE:	SHEET	OF	SHEETS	STA.	TO STA.	VA	17	11
	PLOT SCALE = 26.0000' / in.	CHECKED -	REVISED -		(SHEET 2 OF 2)				CONTRACT NO. 72G82		ILLINOIS FED. AID PROJECT		
	PLOT DATE = Mar-27-2014 02:18:52PM	DATE -	REVISED -		*** D6 CABLE/GUARDRAIL 2015				** VAR				