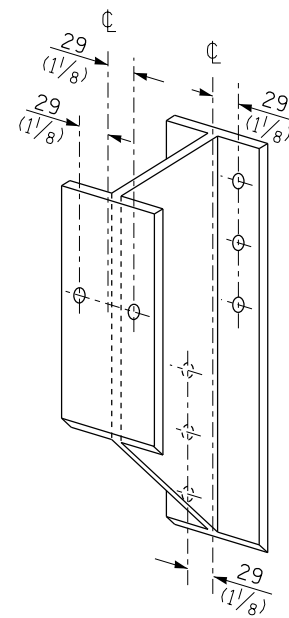
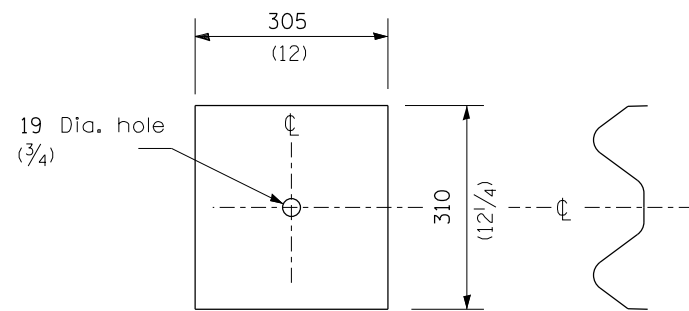


**STEEL POST CONSTRUCTION**



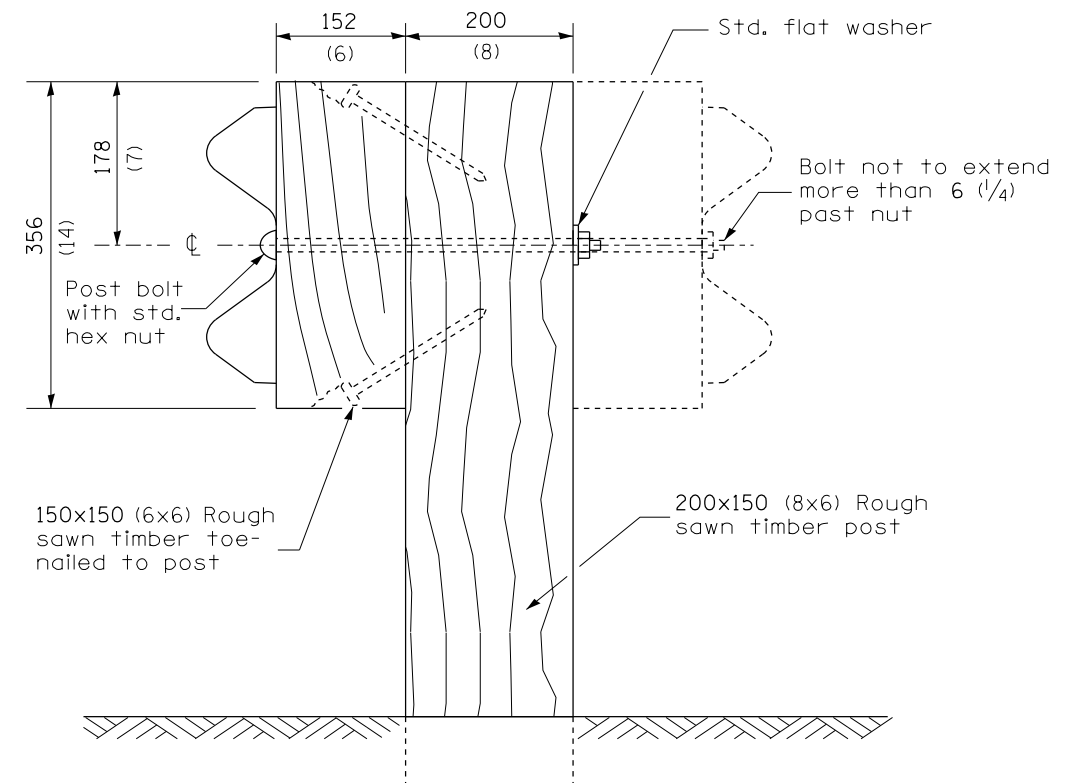
**STEEL BLOCK-OUT DETAIL**



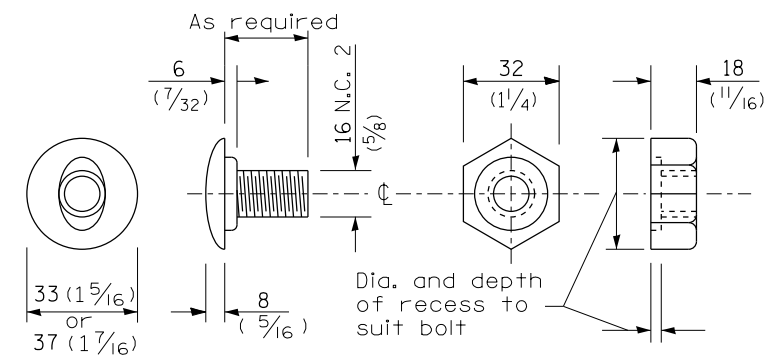
NOTE

Plate A shall be placed between rail element and block-out at non-splice mounting points only when steel block-outs are used.

**PLATE A**



**WOOD POST CONSTRUCTION**



**POST OR SPLICE BOLT & NUT**

FILE NAME =	USER NAME = sparksgw	DESIGNED -	REVISED -
ct:\pw\work\p\id\sparksgw\0381776\0672082-sht-630001-06-SteelPlateBeamGrdrail.dgn		DRAWN -	REVISED -
Default	PLOT SCALE = 26.0000 ' / in.	CHECKED -	REVISED -
	PLOT DATE = Mar-27-2014 02:18:50PM	DATE -	REVISED -

**STATE OF ILLINOIS  
DEPARTMENT OF TRANSPORTATION**

**PRE-MGS HIGHWAY STANDARD 630001-06  
STEEL PLATE BEAM GUARDRAIL  
EFFECTIVE 4-1-06**

(SHEET 2 OF 4)

F.A. RTE.	SECTION	COUNTY	TOTAL SHEETS	SHEET NO.
• VA	•••	••	17	7
ILLINOIS FED. AID PROJECT			CONTRACT NO. 72G82	

SCALE: SHEET OF SHEETS STA. TO STA.

••• D6 CABLE/GUARDRAIL 2015

•• VAR