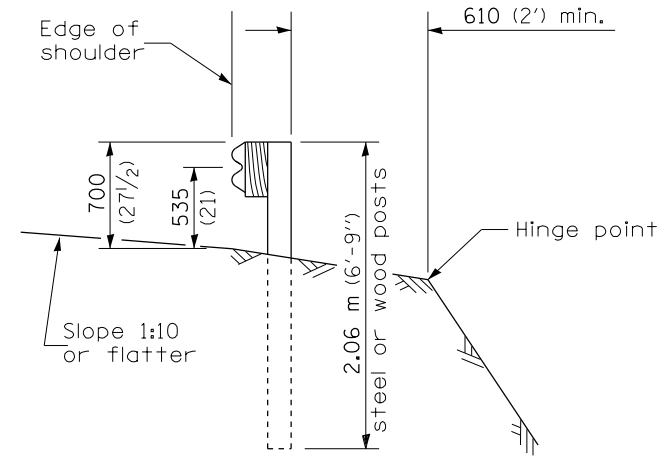
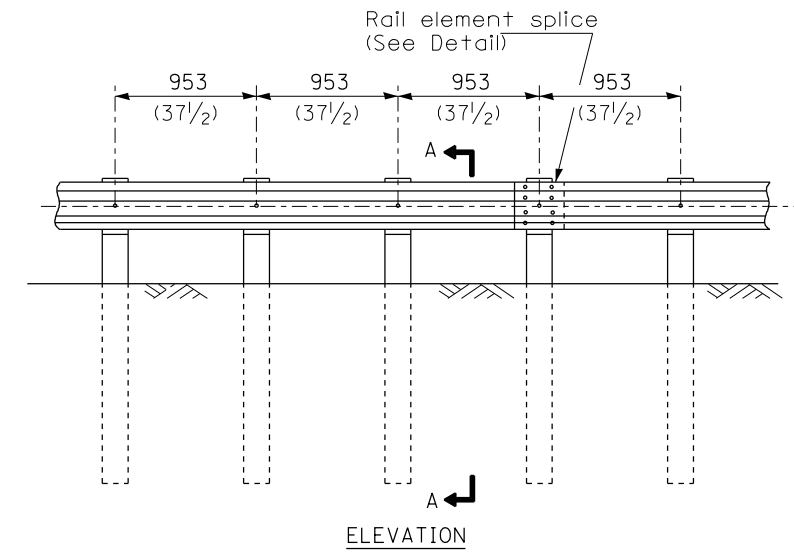


TYPE A

1.905 m (6'-3") Typical post spacing

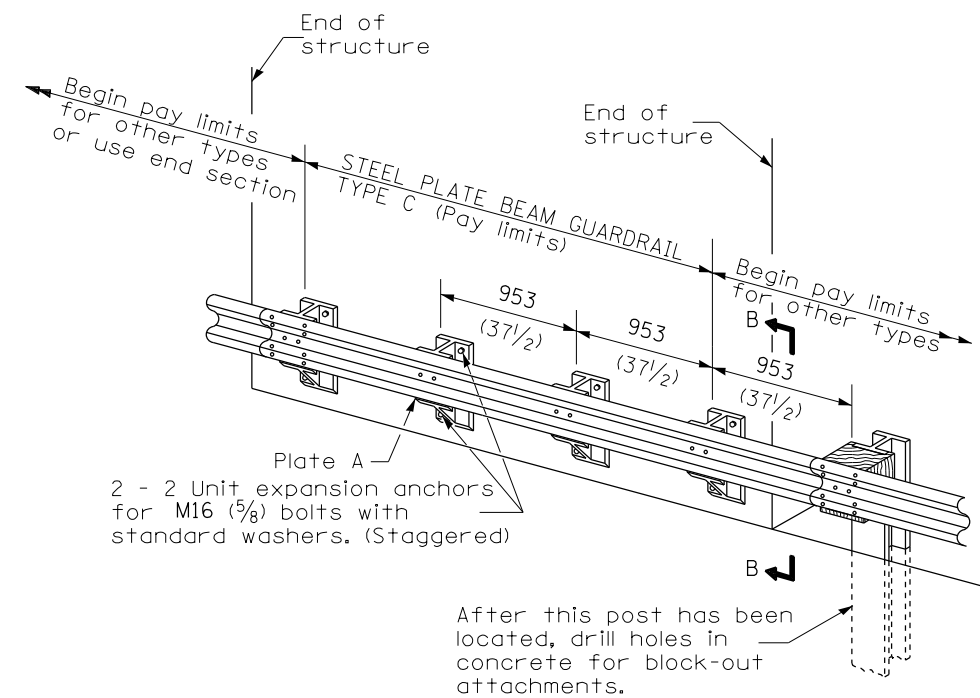


SECTION A-A



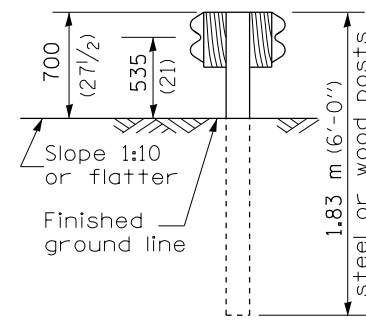
TYPE B

953 (37 1/2) Closed post spacing

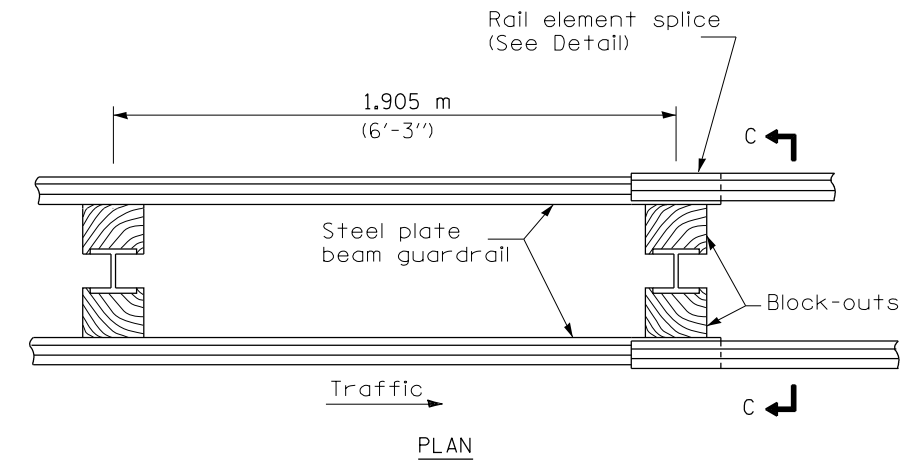


TYPE C

953 (37 1/2) Block-out spacing

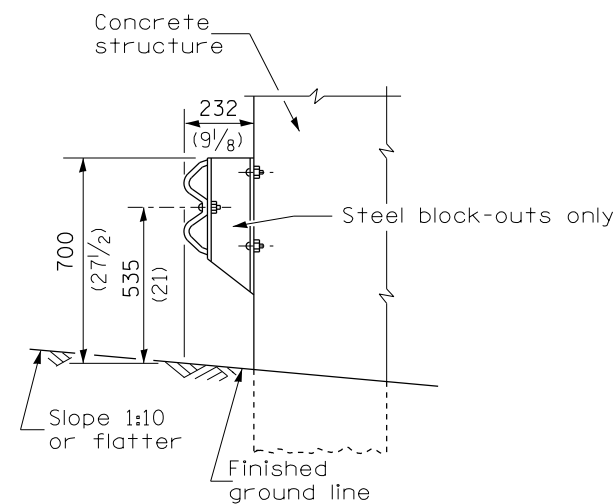


SECTION C-C



TYPE D

Double steel plate beam guardrail
1.905 m (6'-3") typical post spacing



SECTION B-B

GENERAL NOTES

All slope ratios are expressed as units of vertical displacement to units of horizontal displacement (V:H).

All dimensions are in millimeters (inches) unless otherwise shown.

FILE NAME =	USER NAME = sparksgw	DESIGNED -	REVISED -
ct:\pw\work\p\idot\sparksgw\0381776\0672082-sht-630001-06-SteelPlateBeamGrdrail.dgn		DRAWN -	REVISED -
		CHECKED -	REVISED -
		DATE -	REVISED -
Default	PLOT DATE = Mar-27-2014 02:18:50PM		

**STATE OF ILLINOIS
DEPARTMENT OF TRANSPORTATION**

**PRE-MGS HIGHWAY STANDARD 630001-06
STEEL PLATE BEAM GUARDRAIL
EFFECTIVE 4-1-06**

(SHEET 1 OF 4)

F.A. RTE.	SECTION	COUNTY	TOTAL SHEETS	SHEET NO.
VA	17	6
CONTRACT NO. 72G82				

SCALE: SHEET OF SHEETS STA. TO STA.

ILLINOIS FED. AID PROJECT

*** D6 CABLE/GUARDRAIL 2015

•• VAR