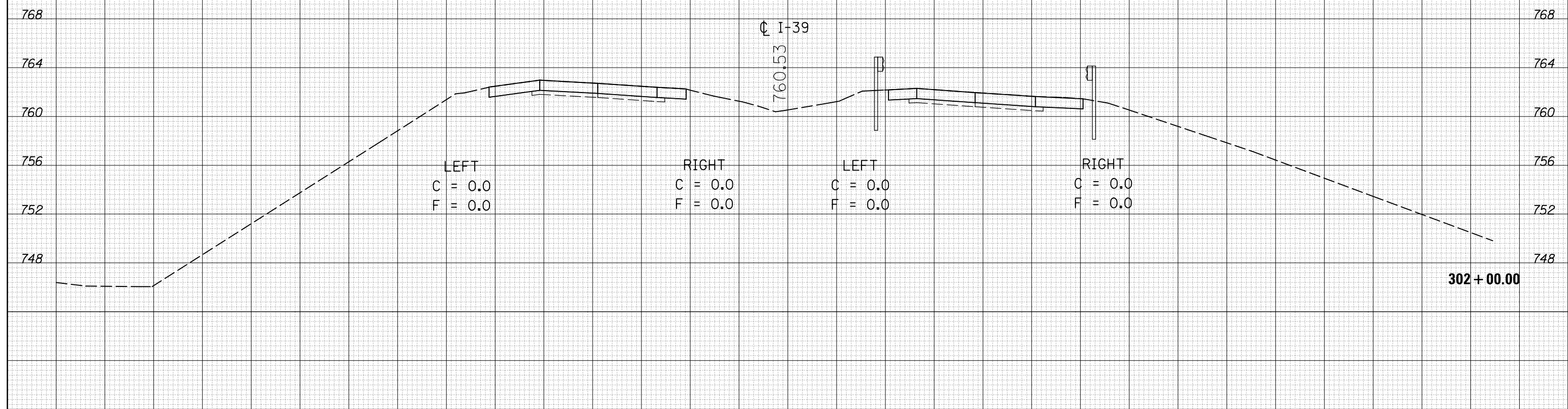
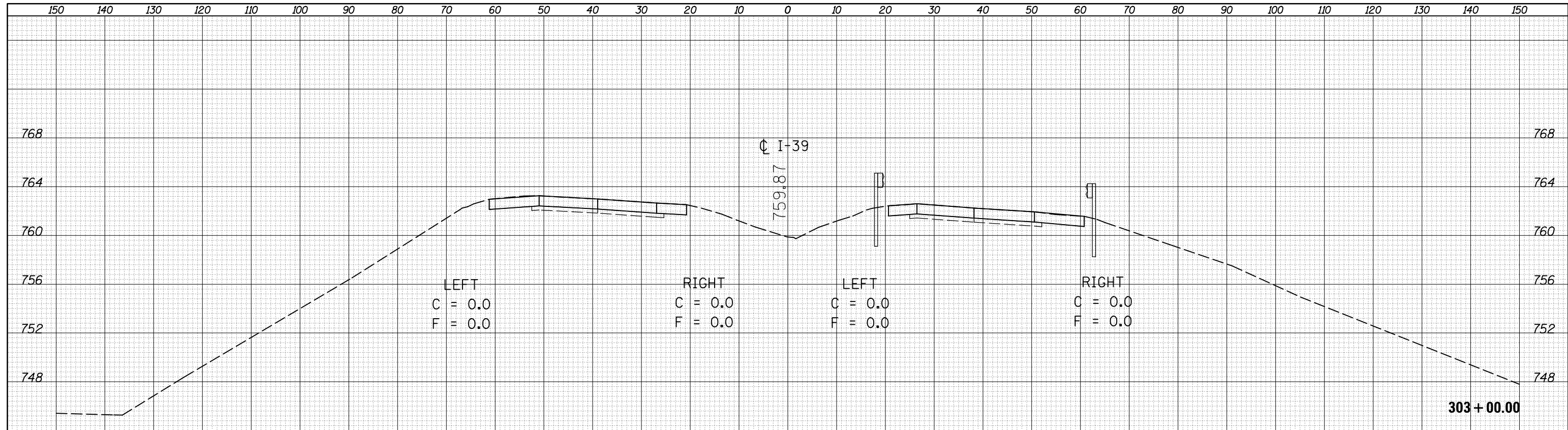


DATE	
BY	
FINAL SURVEY NO.	
SURVEYED	
PLOTTED	
TEMPLATE	
AREAS CHECKED	
NOTE BOOK	
AREAS CHECKED	

DATE	
BY	
ORIGINAL SURVEY NO.	
SURVEYED	
PLOTTED	
TEMPLATE	
AREAS CHECKED	
NOTE BOOK	
AREAS CHECKED	



FILE NAME =
 c:\pw_work\pwidot\berganaj\d8373050\0570A28-SH

USER NAME = berganaj
 DESIGNED -
 DRAWN -
 CHECKED -
 DATE -

REVISED -
 REVISED -
 REVISED -
 REVISED -

STATE OF ILLINOIS
 DEPARTMENT OF TRANSPORTATION

CROSS SECTION SHEETS
 (I-39 - CRC SECTION)

SCALE: SHEET 31 OF 31 SHEETS STA. 302+00.00 TO STA. 303+00.00

F.A.I. RTE.	SECTION	COUNTY	TOTAL SHEETS	SHEET NO.
39	57(2,3)R	McLean	214	213
CONTRACT NO. 70A28			ILLINOIS FED. AID PROJECT	