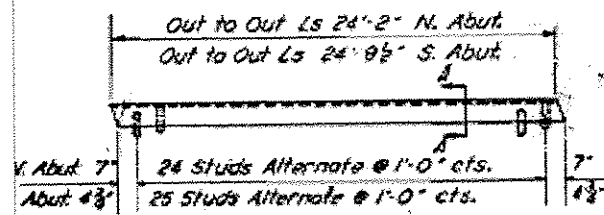


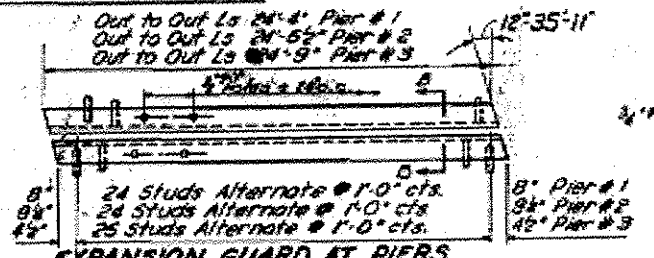
SPAN ONE AND FOUR

CROSS SECTIONS

SPAN TWO AND THREE



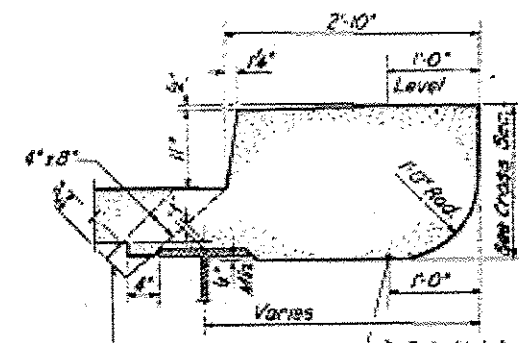
EXPANSION GUARDS AT ABUTS.



EXPANSION GUARD AT PIERS

SECTION A-A

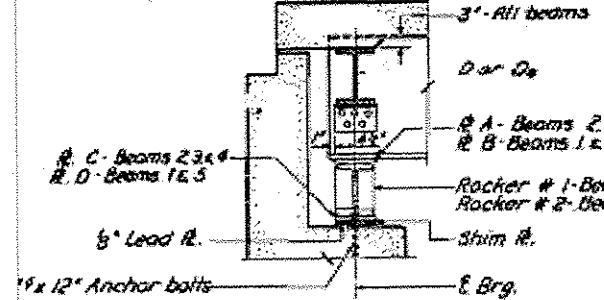
SECTION B-B



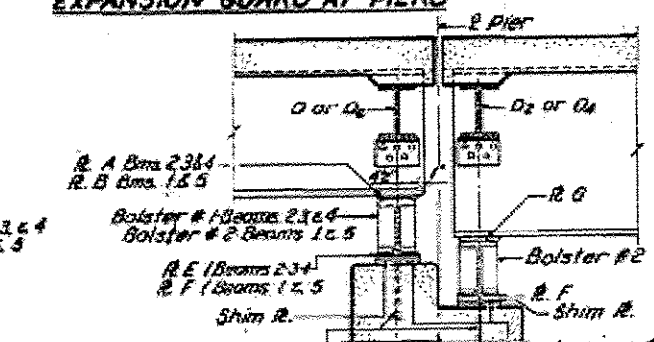
CURB DETAIL

METHOD OF DETERMINING FILLET HEIGHT *F*

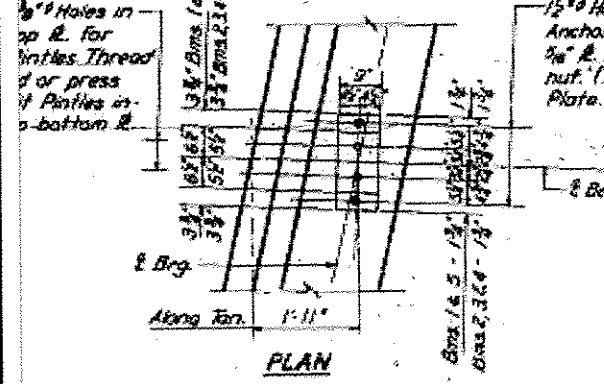
After all structural steel has been erected elevations of the top flanges of the beams shall be taken at intervals as shown on sheet #13. These elevations subtracted from the theoretical grade elevations, corrected for D. L. Deflection, minus floor thickness, equals the fillet heights above top of beam.



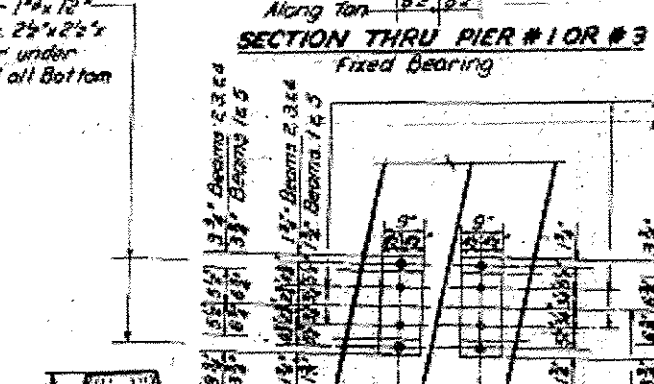
SECTION AT ABUTMENTS



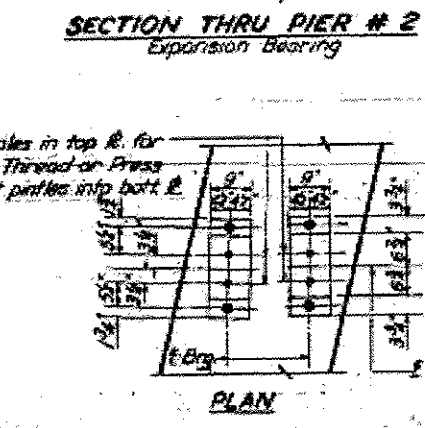
SECTION THRU PIER #2



PLAN



SECTION THRU PIER #1 OR #3



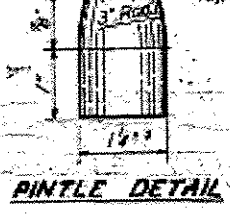
PLAN

Location	Beam 1	Beam 2	Beam 3	Beam 4	Beam 5
North Abut.					
No Brg. Pier 1	9' x 2 1/2' x 1/2"				9' x 2 1/2' x 1/2"
So Brg. Pier 1					
No Brg. Pier 2					
So Brg. Pier 2					
No Brg. Pier 3					
So Brg. Pier 3	9' x 2 1/2' x 1/2"		9' x 2 1/2' x 1/2"		
South Abut.					

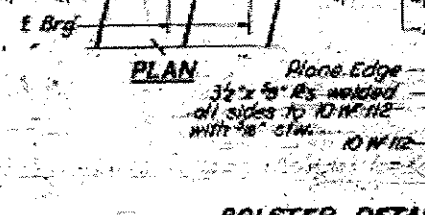
R	Size	Qty	Notes
A	9' x 1 1/2' x 1/2"	8	
B	9' x 1 1/2' x 1/2"	8	
C	9' x 1 1/2' x 1/2"	6	
D	9' x 1 1/2' x 1/2"	4	
E	9' x 1 1/2' x 1/2"	6	
F	9' x 1 1/2' x 1/2"	14	
G	9' x 2 1/2' x 1/2"	20	
H	9' x 1 1/2' x 1/2"	12	

DESIGNED: *O. McElroy*
CHECKED: *Richard A. ...*
DRAWN: *L. Putnam*
CHECKED: *James R. Pense*

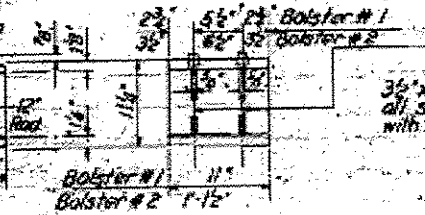
DATE: Nov. 21, 1960



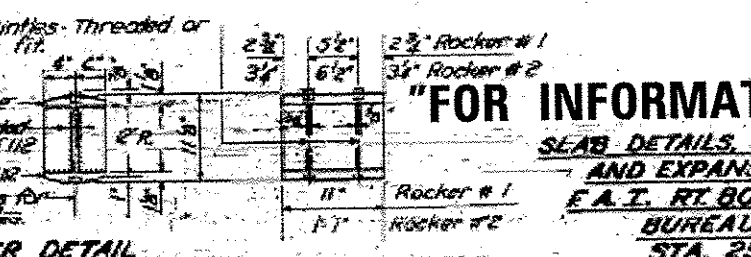
PINTE DETAIL



BOLSTER DETAIL



ROCKER DETAIL



SECTION THRU PIER #2

"FOR INFORMATION ONLY"

SLAB DETAILS, BEARING DETAILS, AND EXPANSION GUARDS
E.A.T. RL 80 SEC. 06-1HB-2
BUREAU COUNTY
STA. 252+46.79