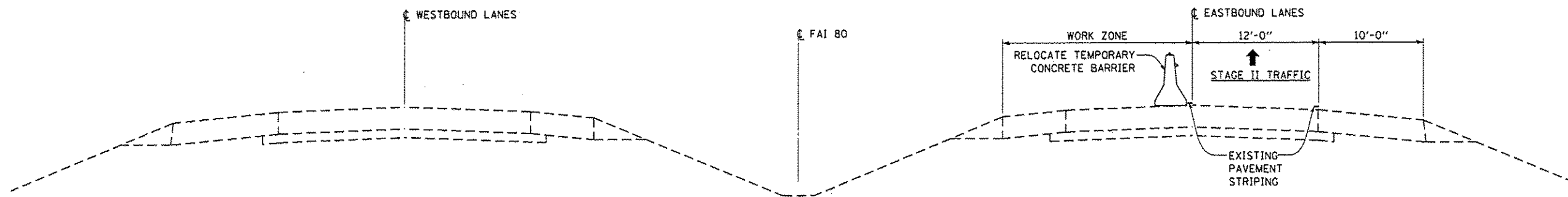
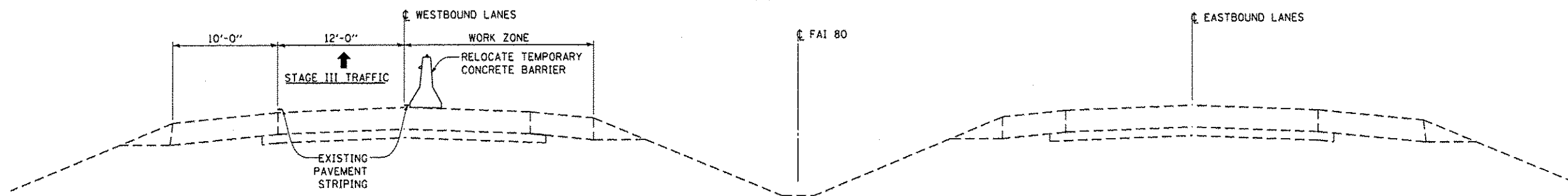


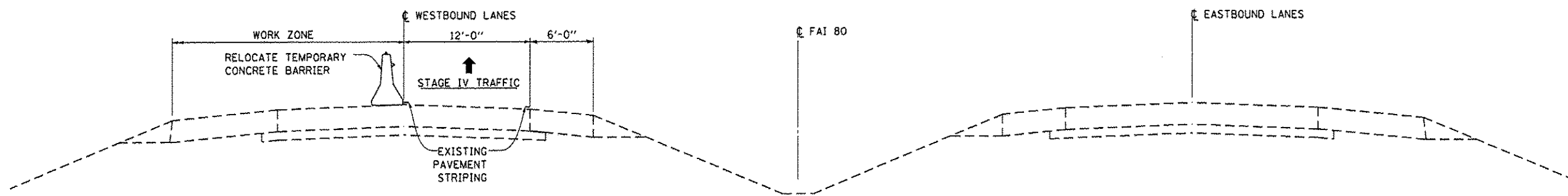
STAGE I



STAGE II



STAGE III



STAGE IV

FILE NAME *	USER NAME * Pataluj	DESIGNED - R WOODSHANK	REVISED -	STATE OF ILLINOIS DEPARTMENT OF TRANSPORTATION	STAGING DETAILS			T.R. RTE.	SECTION	COUNTY	TOTAL SHEETS	SHEET NO.
	cd\pv_work\p\pidot\pataluj\0388662\036693-sht-details.dgn	DRAWN - R WOODSHANK	REVISED -					60B	(60-1HB-2)BP	BUREAU	12	7
MODELNAME	PLOT SCALE * 100.0000 ' / in.	CHECKED - Y PATEL	REVISED -	SCALE:	SHEET NO. 1 OF 4 SHEETS	STA.	TO STA.	ILLINOIS FED. AID PROJECT				
	PLOT DATE * 4/15/2014	DATE - 4/3/2014	REVISED -					CONTRACT NO. 66093				