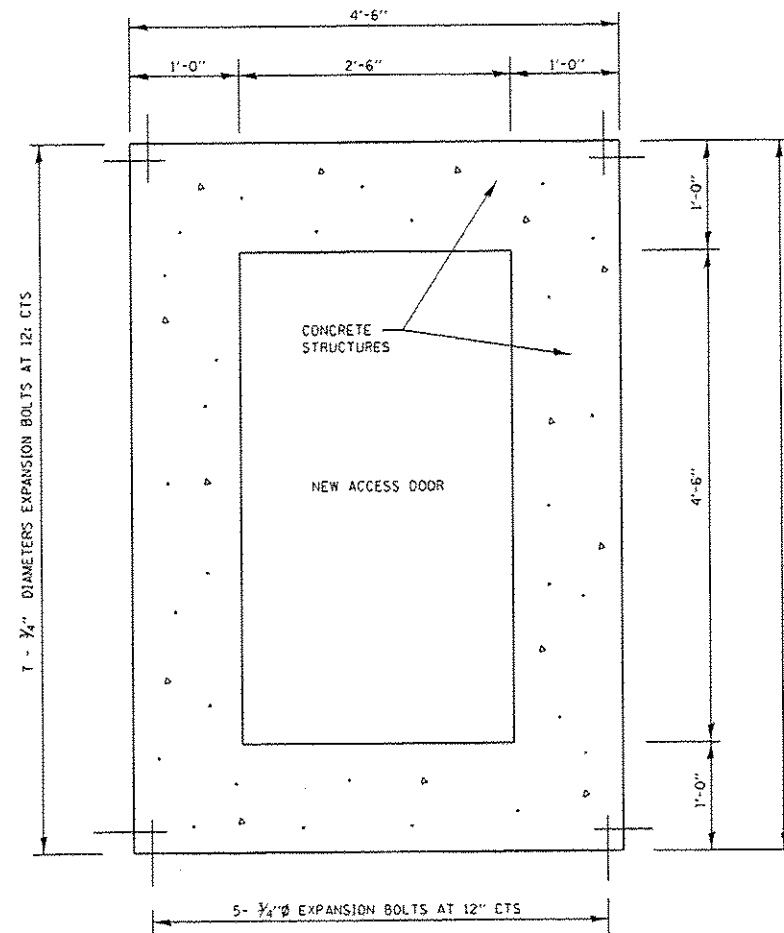
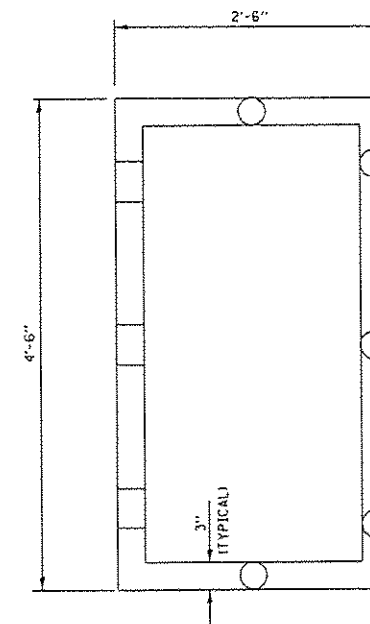


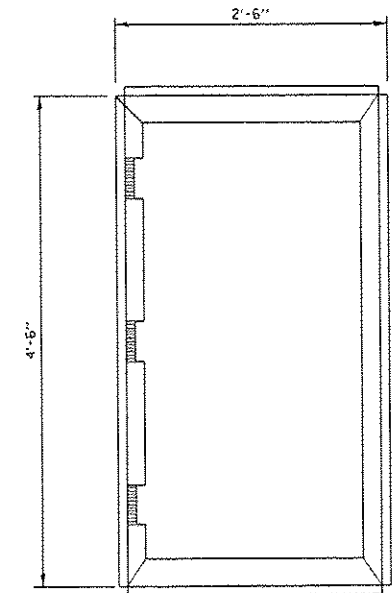
CONCRETE REMOVAL DETAIL



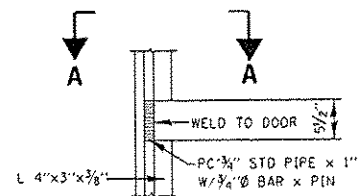
CONCRETE FILL AT ACCESS HOLE



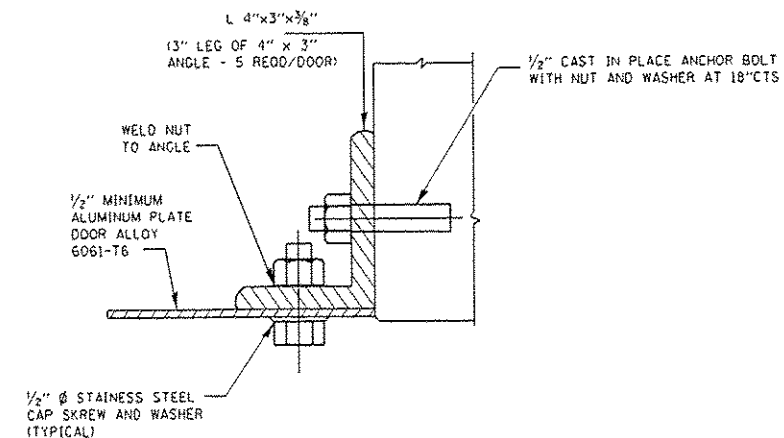
PROPOSED DOOR



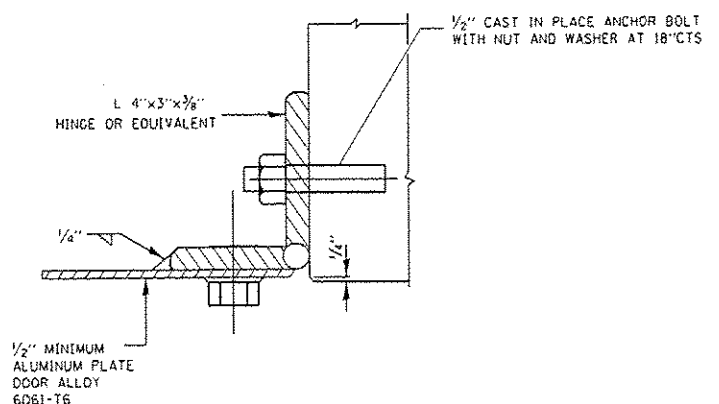
FRAME



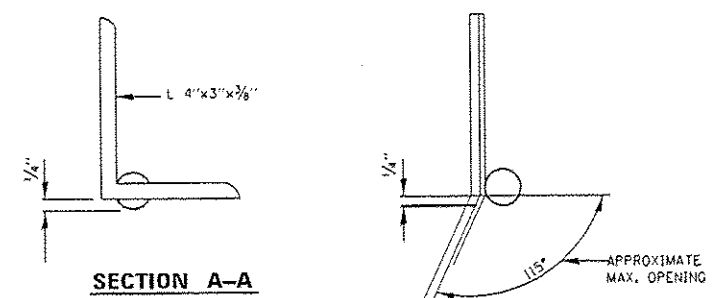
HINGE DETAIL



SECTION B-B

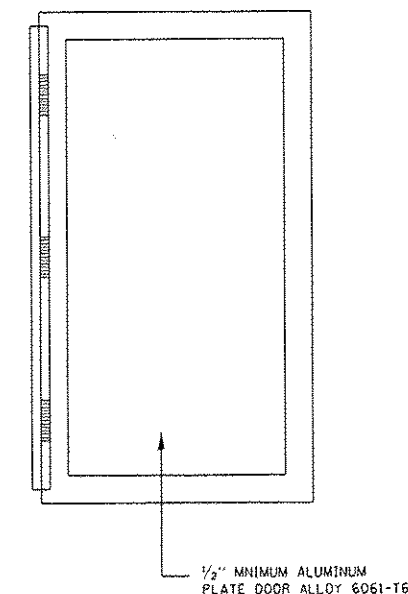


SECTION C-C



SECTION A-A

NOTES:
 EXPANSION BOLTS SHALL BE 3/4" DIAMETER HOOKED BOLTS AND SHALL EXTEND 9" MINIMUM INTO CONCRETE.
 PAINT ALL ALUMINUM SURFACES IN CONTACT WITH CONCRETE WITH EPOXY PAINT.
 COST OF ACCESS DOOR REMOVAL AND REPLACEMENT (2 LOCATIONS) IS INCLUDED IN THE COST OF CONCRETE STRUCTURES.
 FOR ACCESS DOOR LOCATIONS SEE SHEET 10 OF 12



FRAME WITH COVER

LEGEND:
 CONCRETE REMOVAL

FILE NAME =	USER NAME = hardnetbr	DESIGNED - MVT	REVISED - 4/28/14
oi:\p\work\p\oid\hardnetbr\40818167\1016-0285.dgn		DRAWN - MVT	REVISED -
PLOT SCALE = 100.0000 ' / 1"		CHECKED - RTB	REVISED -
Default	PLOT DATE = 5/2/2014	DATE -	REVISED -

**STATE OF ILLINOIS
 DEPARTMENT OF TRANSPORTATION**

U.S. 30 (LINCOLN HIGHWAY) BRIDGE OVER I-57 VAULTED ABUTMENT DOOR DETAILS S.N. 016-0285	
SCALE:	SHEET 11 OF 12 SHEETS STA. TO STA.

P.A.P. RTE.	SECTION	COUNTY	TOTAL SHEETS	SHEET NO.
353	0404-1004HB-BR	COOK	28	14
CONTRACT NO. 60X21				
ILLINOIS FED. AID PROJECT				