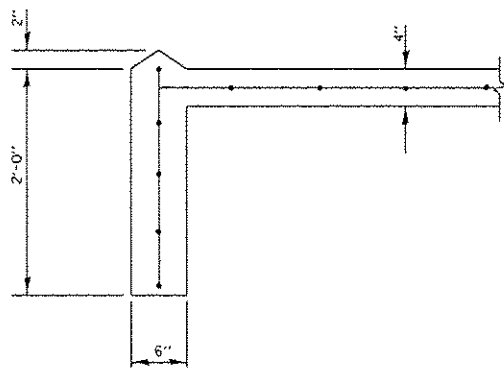
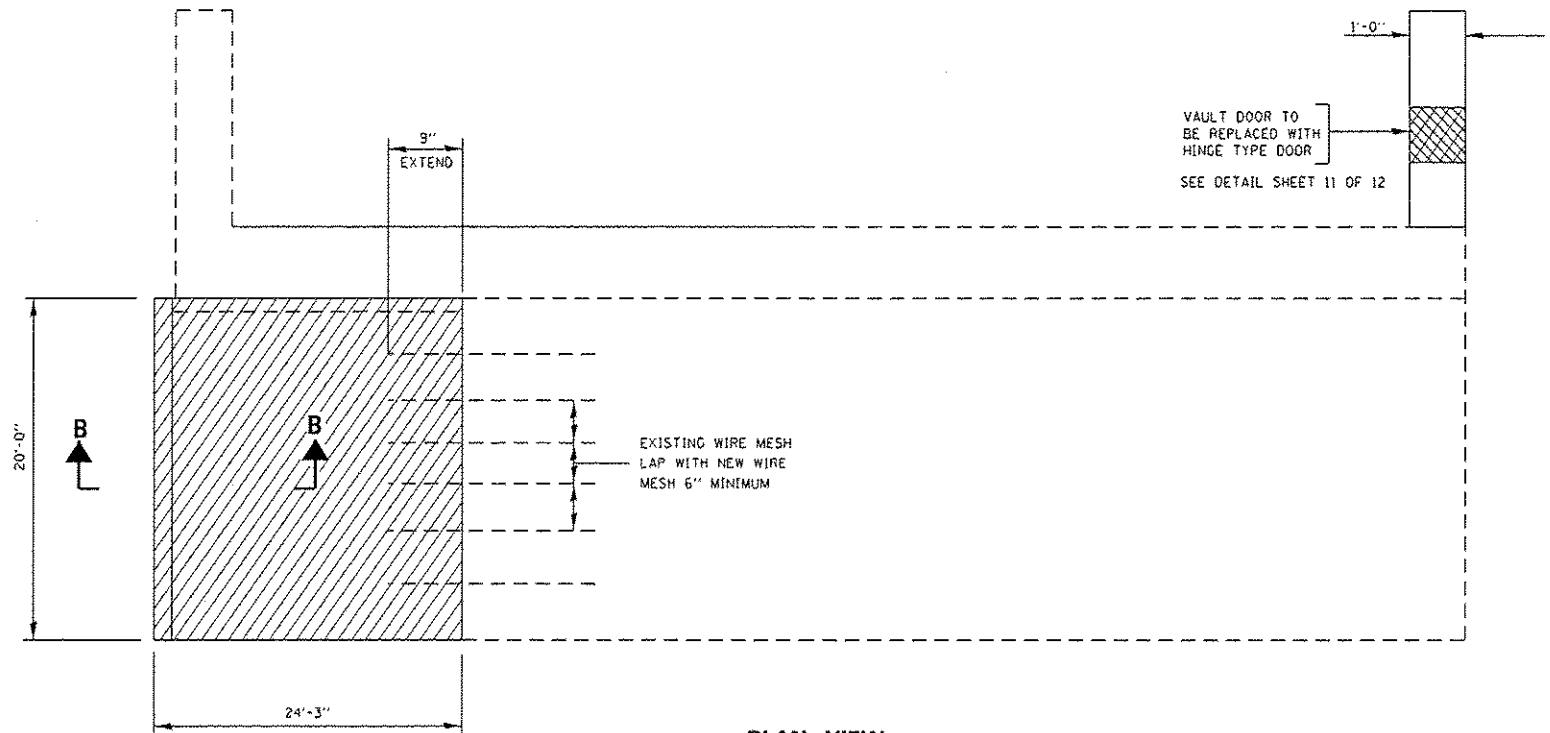


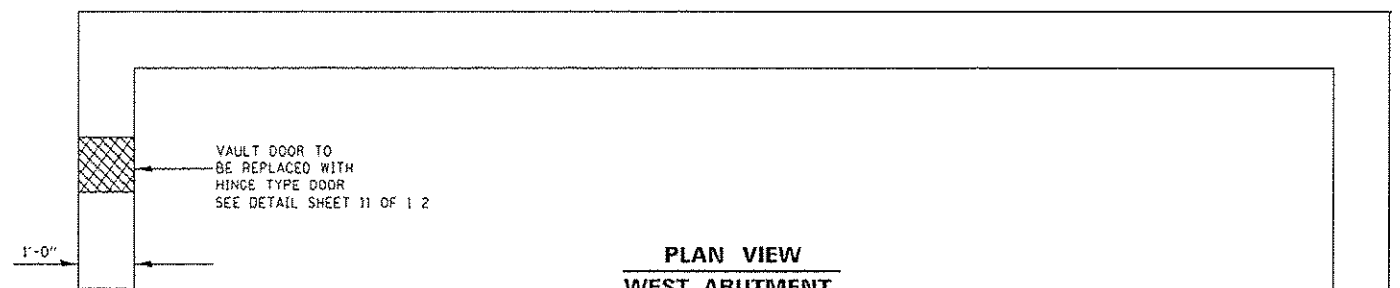
SECTION THRU SLOPEWALL AT VAULTED ABUTMENTS



SECTION B-B



**PLAN VIEW
EAST ABUTMENT**



**PLAN VIEW
WEST ABUTMENT**

LEGEND:

- SLOPEWALL REMOVAL AND SLOPEWALL 4"
- CONCRETE REMOVAL

BILL OF MATERIALS

ITEM	UNIT	QUANTITY
SLOPEWALL 4"	SO.YD.	54
CONCRETE REMOVAL	CU.YD.	1.4
SLOPE WALL REMOVAL	SO.YD.	54
CONCRETE STRUCTURE	SO.YD.	1.4

FILE NAME =	USER NAME = hardnettr	DESIGNED - MVT	REVISED - 4/28/14
c:\pwork\pvidot\hardnettr\0101671\016-0285.dgn		DRAWN - MVT	REVISED -
		CHECKED - RTB	REVISED -
Default	PLOT DATE = 5/2/2014	DATE -	REVISED -

**STATE OF ILLINOIS
DEPARTMENT OF TRANSPORTATION**

**U.S. 30 (LINCOLN HIGHWAY) BRIDGE OVER I-57
SLOPEWALL REPAIR AT EAST ABUTMENT AND VAULT DOOR LOCATIONS
S.N. 016-0285**

F.A.P. RTE.	SECTION	COUNTY	TOTAL SHEETS	SHEET NO.
353	D404-1004HB-BR	COOK	28	13
CONTRACT NO. 60X21			[ILLINOIS] FED. AID PROJECT	

SCALE: SHEET 10 OF 12 SHEETS STA. TO STA.