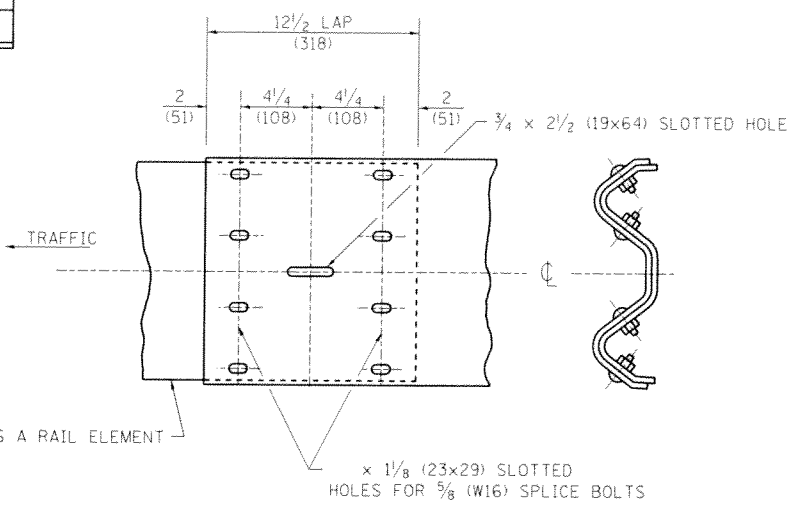
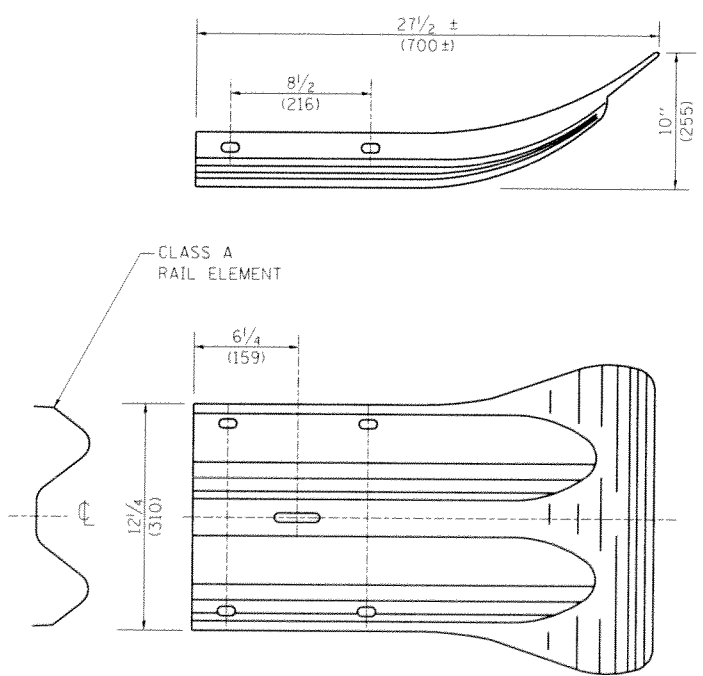


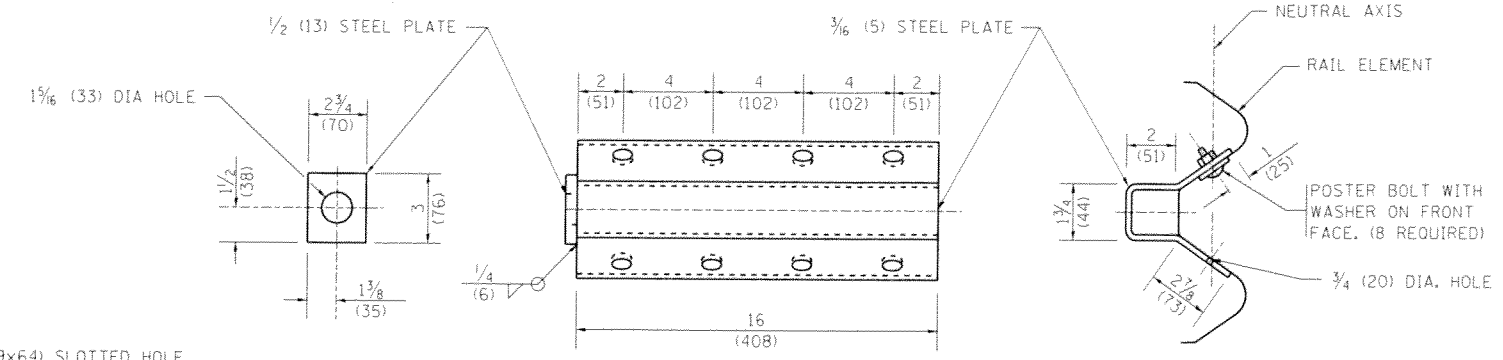
SPLICE PLATE



RAIL ELEMENT SPLICE



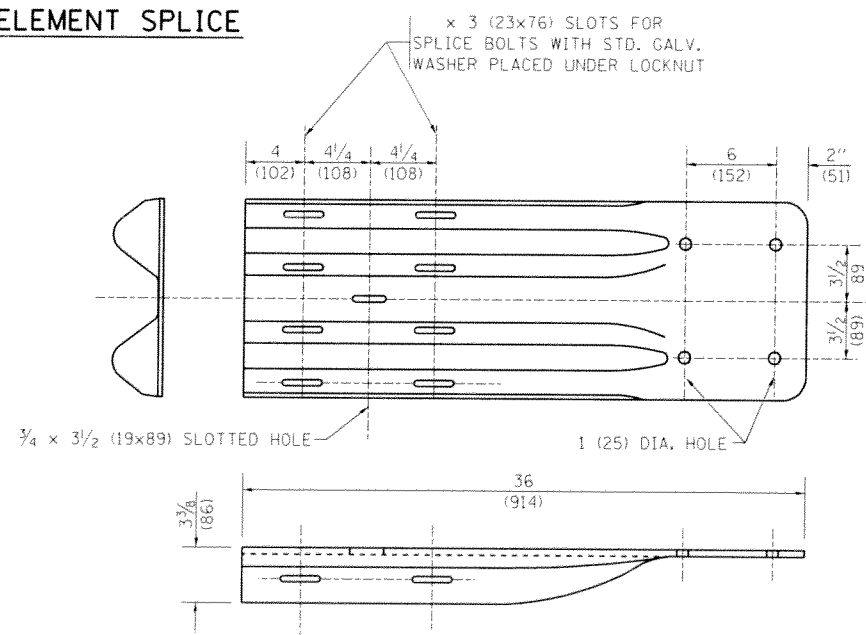
END SECTION



NOTE:

ANCHORE PLATE T SHALL BE USED TO ATTACH CABLE ASSEMBLY TO GUARDRAIL WHEN REQUIRED ON TRAFFIC BARRIER TERMINALS.

ANCHORE PLATE T DETAILS



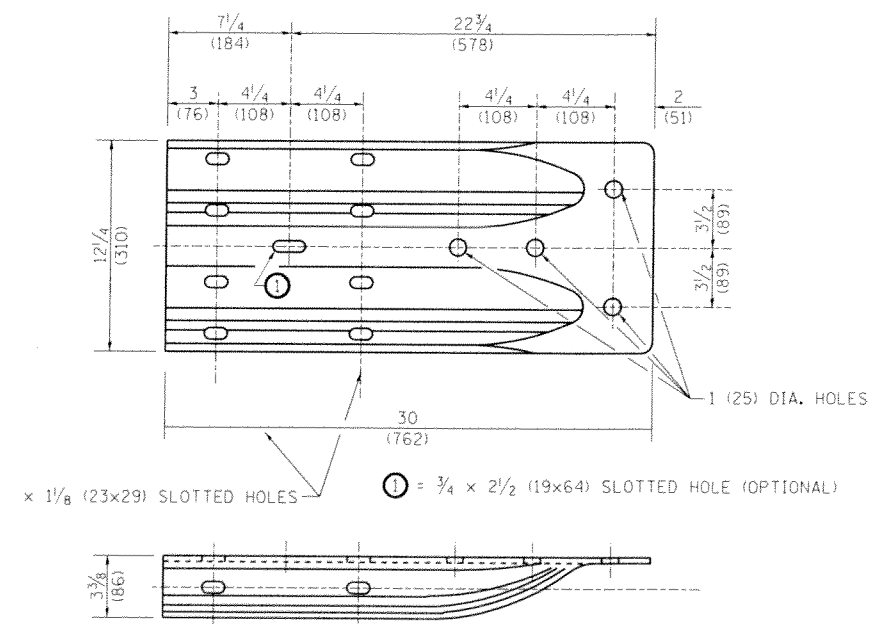
END SHOE

NOTE:

WHEN END SHOE IS ATTACHED TO A BRIDGE PARAPET WHICH HAS AN EXPANSION JOINT, THE BOLTS SHALL BE PROVIDED WITH A LOCKNUT OR DOUBLE NUT AND SHALL BE TIGHTENED ONLY TO A POINT THAT WILL ALLOW GUARDRAIL MOVEMENT.

THE STANDARD END SHOE SHALL BE ATTACHED TO THE CONCRETE WITH PRE-DRILLED OR SELF-DRILLING ANCHOR BOLTS. THE ANCHOR CONE SHALL BE SET FLUSH WITH THE SURFACE OF THE CONCRETE.

EXTERNALLY THREADED STUDS PROTRUDING FROM THE SURFACE OF THE CONCRETE WILL NOT BE PERMITTED.



ALTERNATE END SHOE

FILE NAME =	USER NAME = steedpa	DESIGNED -	REVISED - 10-31-06	STATE OF ILLINOIS DEPARTMENT OF TRANSPORTATION	REMOVE AND REERECT STEEL PLATE BEAM GUARDRAIL			F.A.P. RTE.	SECTION	COUNTY	TOTAL SHEETS	SHEET NO.	
c:\pwork\pwork\stedpa\08329923\Dist\d.dgn		DRAWN -	REVISED -		SCALE: NONE	SHEET NO. 3 OF 4 SHEETS	STA.	TO STA.	557	2013-0481	KANE	24	17
		CHECKED -	REVISED -							BM-21			
		DATE -	REVISED -										
								CONTRACT NO. 60X02					
								FED. ROAD DIST. NO. 1 ILLINOIS FED. AID PROJECT					