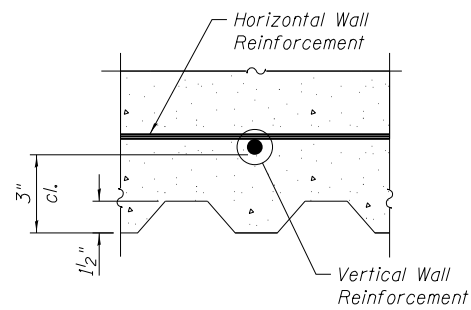
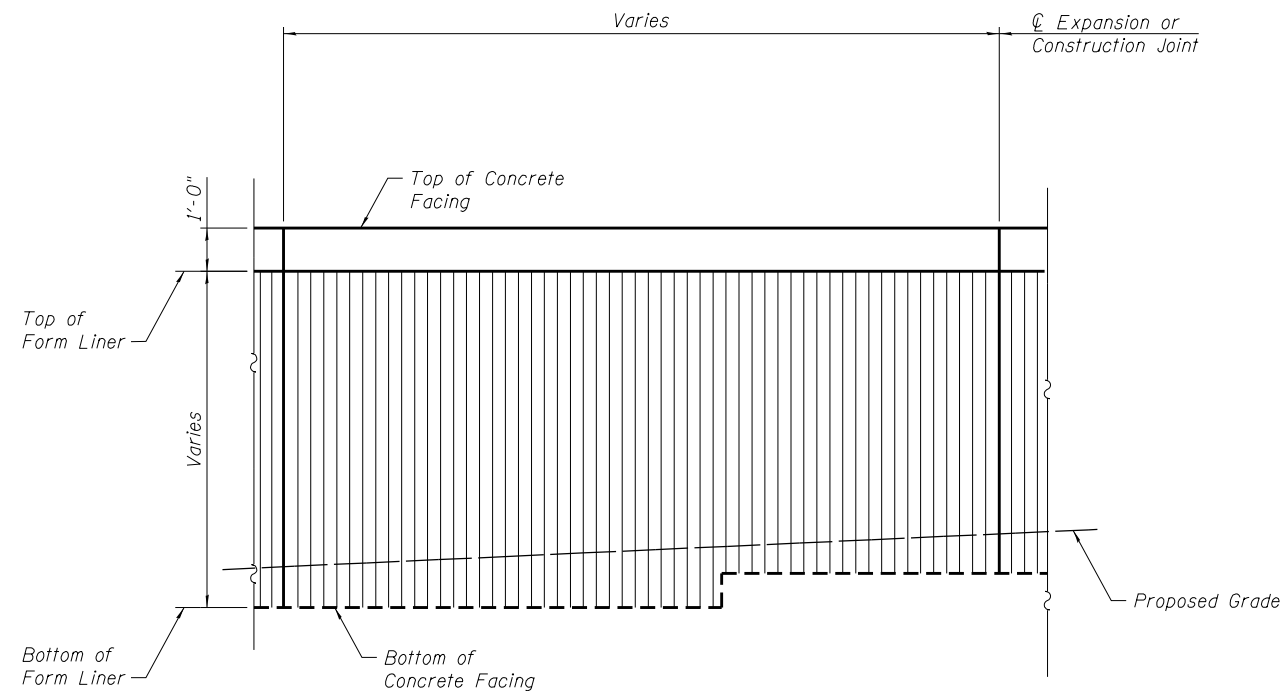


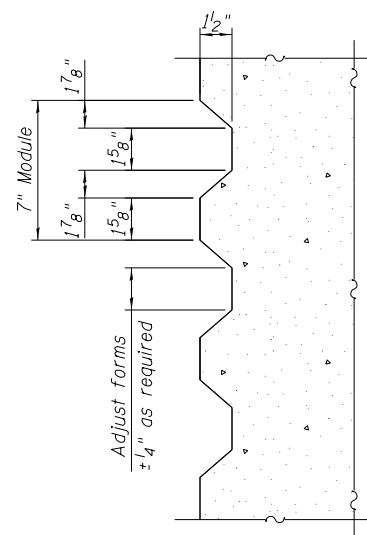
FILE NAME = SA\JOL\6300-6399\6346\052\Micro\CAD\Drawings\Retaining Wall\60N2-sh-805-RUSTDET.dgn



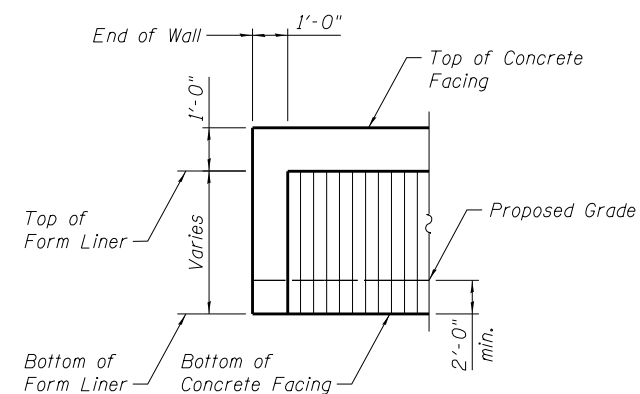
PLAN - FORM LINER



ELEVATION - FORM LINER



FORM LINER DETAIL



END FORM LINER FINISH