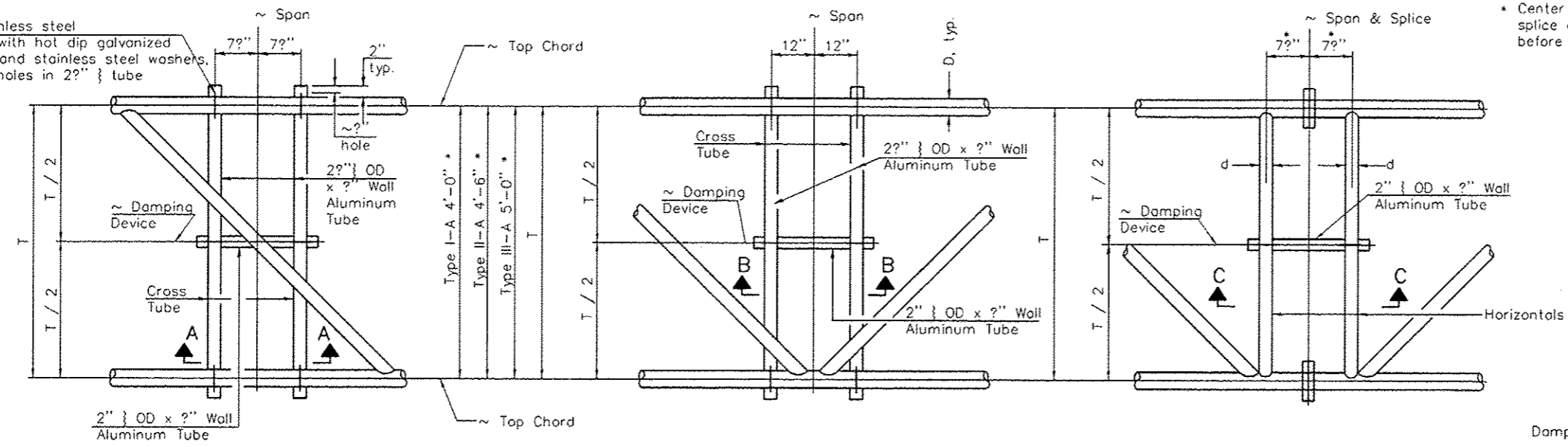


5" } stainless steel  
 U-bolt with hot dip galvanized locknuts and stainless steel washers, typ. ?" } holes in 2" } tube

\* Center of horizontal to center of splice dimension may vary. Verify before drilling holes in mounting tube.



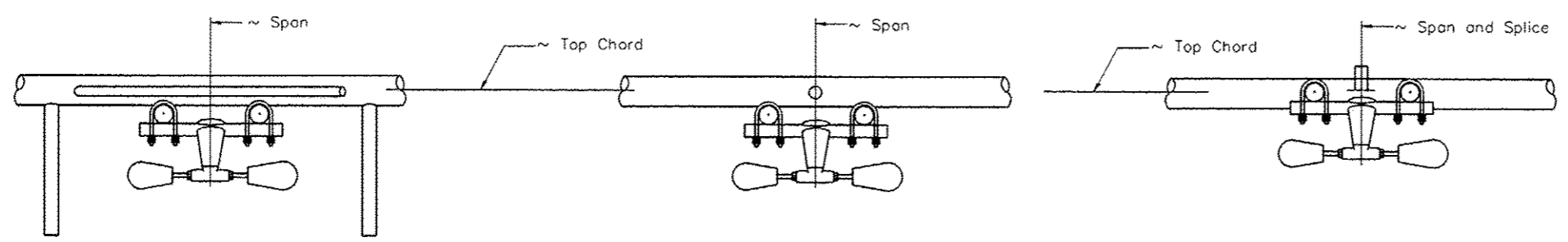
**PLAN DETAIL "A"**  
 ~ Span between Panel Points

**PLAN DETAIL "B"**  
 ~ Span at Panel Point

**PLAN DETAIL "C"**  
 ~ Span at ~ Chord Splice

**NOTES**  
 Damper: One damper per truss. (31 lbs. minimum Stockbridge-Type Aluminum - 29" minimum between ends of weights) Cost included in Overhead Sign Structure...

Materials: Aluminum tubes shall be ASTM B221 alloy 6061 temper T6. Cost included in Overhead Sign Structure...

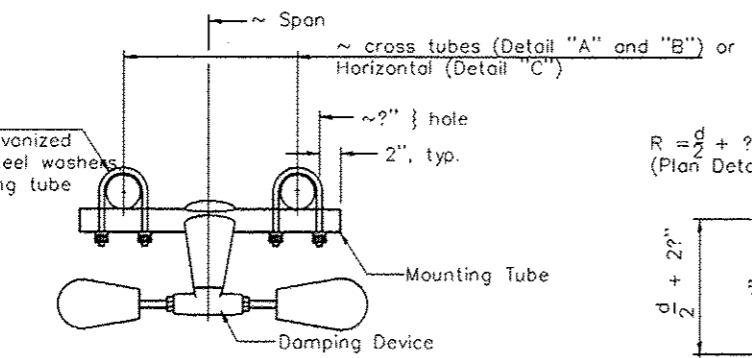


**SECTION A-A**

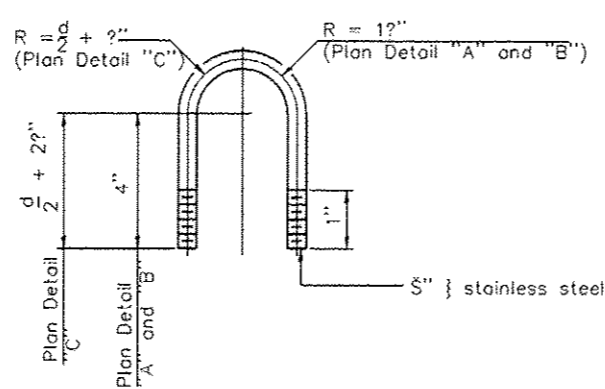
**SECTION B-B**

**SECTION C-C**

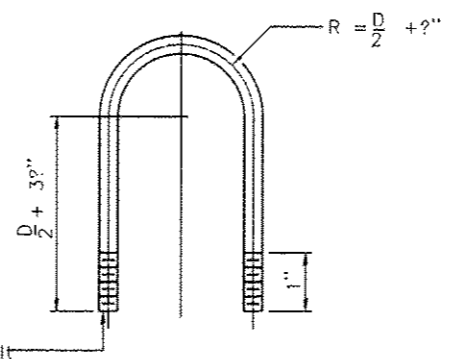
5" } stainless steel  
 U-bolt with hot dip galvanized locknuts and stainless steel washers, typ. ?" } holes in mounting tube



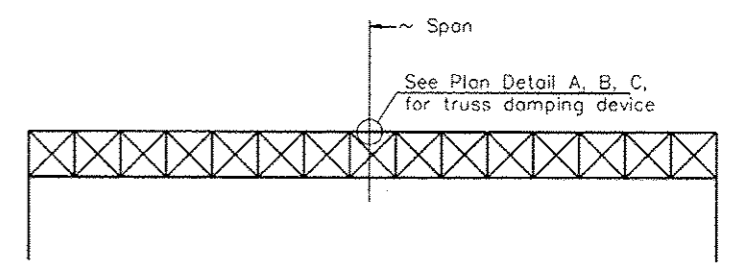
**TRUSS DAMPING DEVICE CONNECTION DETAIL**  
 (Typical)



**DAMPING DEVICE MOUNTING TUBE U-BOLT DETAIL**  
 (Typical)



**TOP CHORD TO CROSS TUBE U-BOLT DETAIL**  
 (Typical - Detail "A" and "B")



**ELEVATION**  
 Aluminum Overhead Sign Truss

OS-A-D

6-1-12

FILE NAME	USER NAME	DESIGNED	REVISED
		CHECKED	REVISED
		DRAWN	REVISED
		CHECKED	REVISED

STATE OF ILLINOIS  
 DEPARTMENT OF TRANSPORTATION

OVERHEAD SIGN STRUCTURE  
 DAMPING DEVICE

SHEET NO. \_\_\_ OF \_\_\_ SHEETS

F.A. RTE.	SECTION	COUNTY	TOTAL SHEETS	SHEET NO.
VAR	04-4 010 SIN STR REPL 14-47	VARIOUS	65	35
CONTRACT NO. 46314			ILLINOIS FED. AID PROJECT	