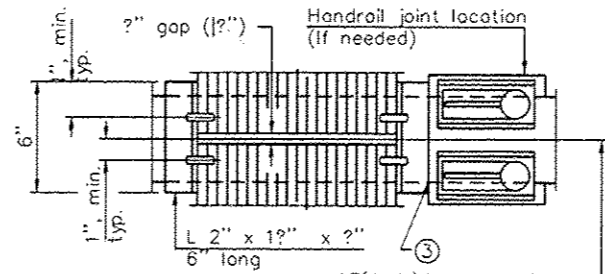
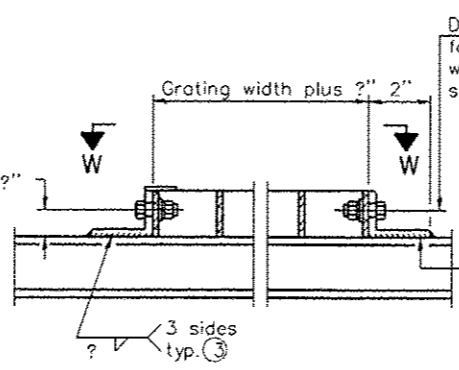


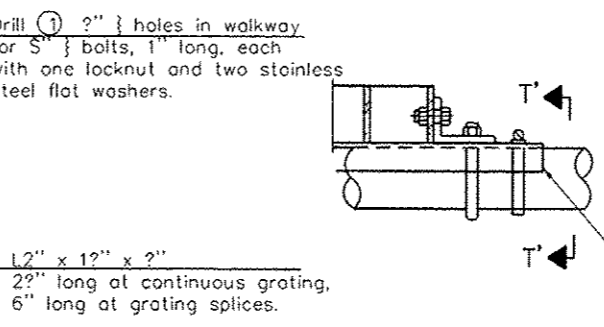
(CONTINUOUS WALKWAY GRATING)



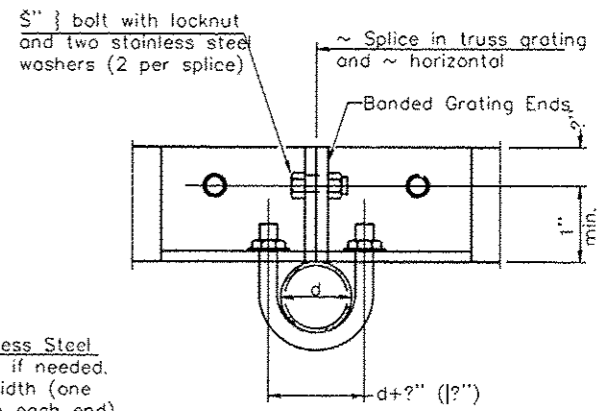
SECTION W-W



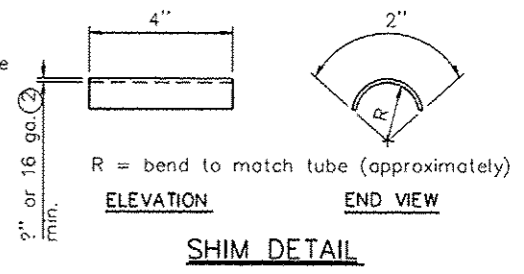
DETAIL W



DETAIL T'



SECTION T'-T'



SPECIFICATIONS FOR STANDARD ALUMINUM GRATING

Main Bearing Bars (MBB) shall be 2" x 1 1/2" on 1" centers and conform to ASTM B211 Alloy 6061-T6.
 Cross bars (CB) shall be 2" x 1" on 4" centers and conform to ASTM B221 Alloy 6063-T5 or 6061-T6.

OR
 Aluminum Grating with modified "I" sections for main bearing bars shall meet the following requirements:
 Main bars shall conform to ASTM B221 Alloy 6061-T6 and have a minimum section modulus equal to 0.0705 in. per bar, a depth of 1 1/2", spaced on 1" centers.
 Cross bars shall conform to ASTM B221 Alloy 6063-T5 or T-42 and spaced on 4" centers.

- Drilling holes in grating may be done in shop or field, based on Contractor's preference and subject to accurate alignment.
- Stainless steel shims shall be placed as shown in Detail T if needed to compensate for alignment variations between horizontal and diagonal pipes beyond adjustment provided by angles. Thicker shims may be used subject to shims performing properly.
- If Handrail Joint present, weld angle to WF(A-N)4 and 2" extension bars. (See Base Sheet OSC-A-8.)
- 1" x 2" x 2" welded to handrail posts to protect locations that contact grating.
- Tube to grating gap may vary from 0 to 2", max. to align walkway, allow for camber, etc.
- Based on actual sign height, s D, given on OSC-A-1.

Structure Number	Station	A	ⓐ B	C	ⓑ D
4-05	494+49	5 5/8'	1 1/2'	7'-0"	7'-7 1/2'
4-07	416+00	5 3/4'	2'-10 1/2"	5'-6"	8'-10 1/2"
4-08	501+00	5 3/4'	2'-10 1/2"	5'-6"	8'-10 1/2"

OSC-A-7

9-15-11

FILE NAME	USER NAME	DESIGNED	REVISD
		CHECKED	REVISD
PLOT SCALE		DRAWN	REVISD
PLOT DATE		CHECKED	REVISD

STATE OF ILLINOIS
 DEPARTMENT OF TRANSPORTATION

CANTILEVER SIGN STRUCTURES - WALKWAY DETAILS
 ALUMINUM TRUSS & STEEL POST

F.A. R.T.E.	SECTION	COUNTY	TOTAL SHEETS	SHEET NO.
VAR	DA-4 OVD SIN STR REPL 14-47	VARIOUS	65	26
CONTRACT NO. 46314				ILLINOIS FED. AID PROJECT

SHEET NO. ___ OF ___ SHEETS