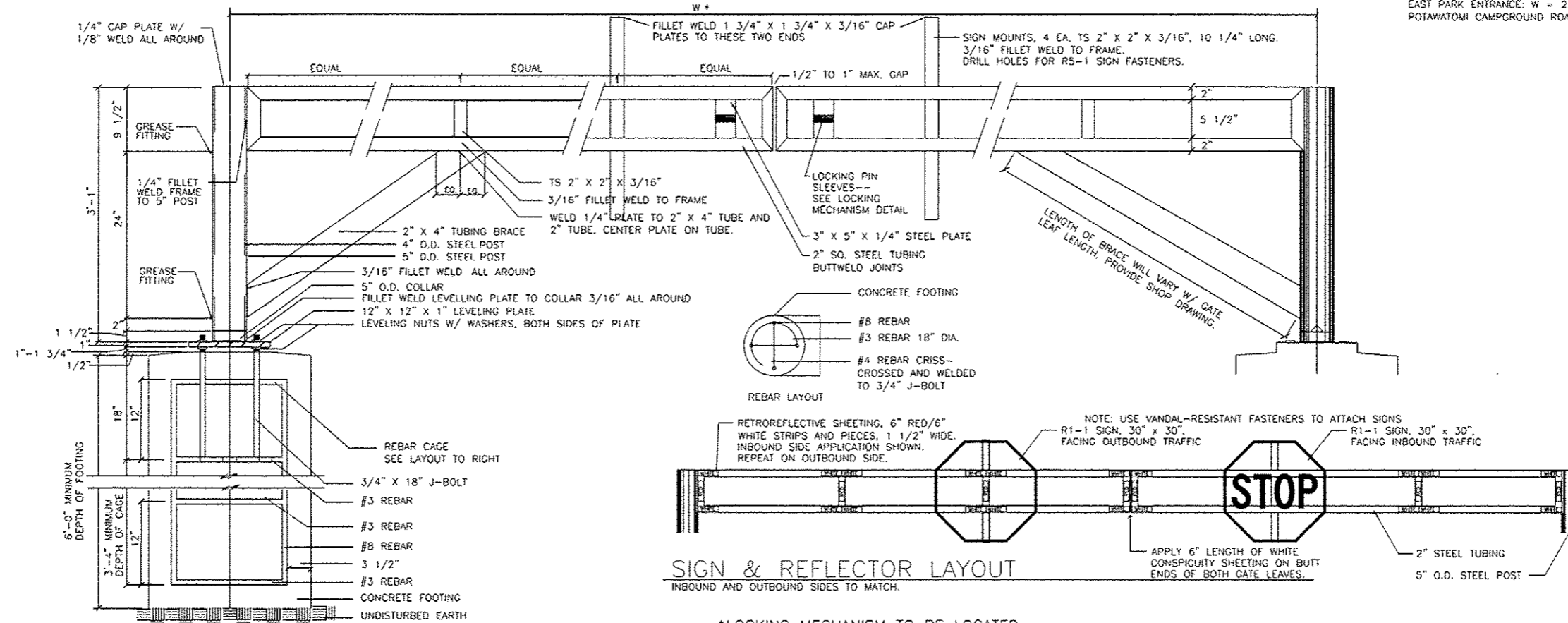
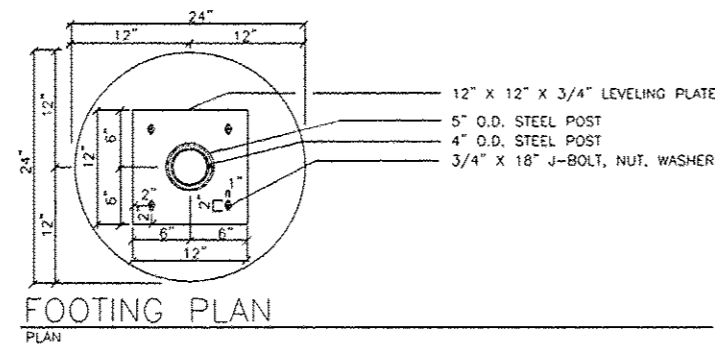


* WIDTHS

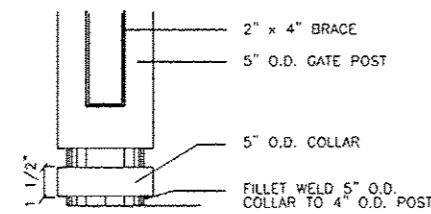
EAST PARK ENTRANCE: W = 22'
 POTAWATOMI CAMPGROUND ROAD: W = 22'



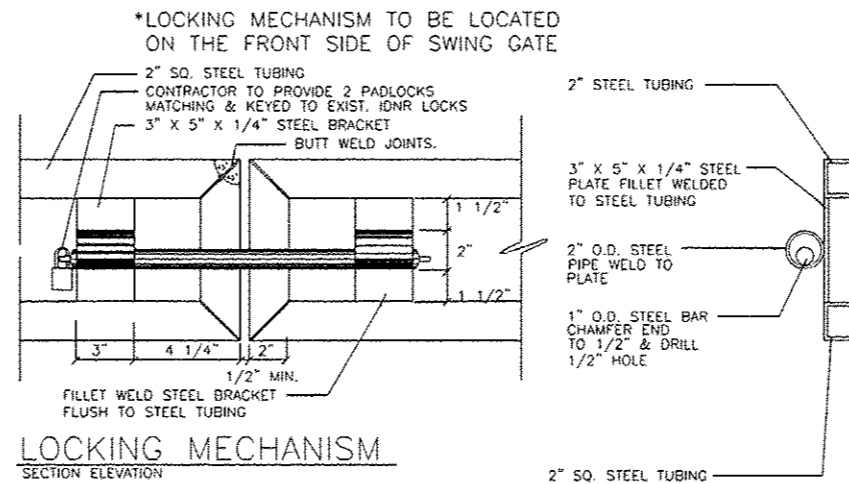
SWING GATE--FRONT SIDE
 REBAR ELEVATION/SECTION



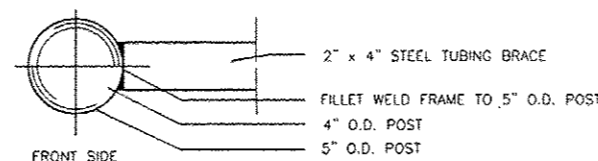
FOOTING PLAN
 PLAN



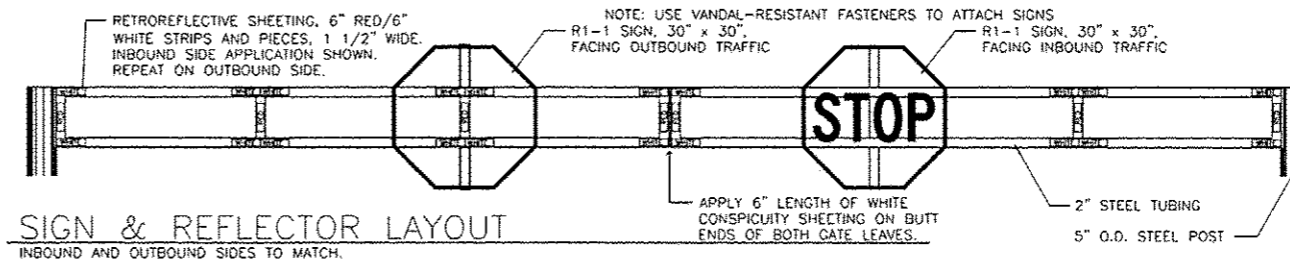
POST, SLEEVE, & COLLAR
 ELEVATION



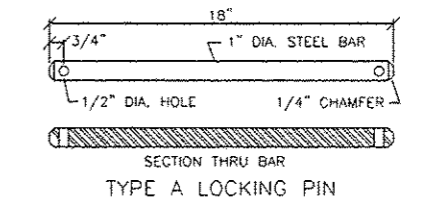
LOCKING MECHANISM
 SECTION ELEVATION



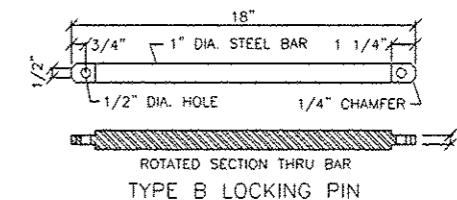
HINGE POST
 SECTION



SIGN & REFLECTOR LAYOUT
 INBOUND AND OUTBOUND SIDES TO MATCH.



TYPE A LOCKING PIN



TYPE B LOCKING PIN

LOCKING PIN
 PROVIDE 2 EA OF 1 TYPE AS SPECIFIED

FILE NAME :	USER NAME = Brad Davnen	DESIGNED -	REVISED -
L:\1007\1106610\10\17\10\00\CADD\Sheets\046302.sht Details.dgn		DRAWN -	REVISED -
DATE	PLOT DATE = 3/28/2014	CHECKED -	REVISED -
		DATE - 3/28/2014	REVISED -

**STATE OF ILLINOIS
 DEPARTMENT OF TRANSPORTATION**

**TUBULAR STEEL GATE DETAIL
 KANKAKEE RIVER STATE PARK**

SCALE: N.T.S. SHEET 1 OF 2 SHEETS STA. TO STA.

F.A. RTE.	SECTION	COUNTY	TOTAL SHEETS	SHEET NO.
	PARK ROADS		69	67
* WILL AND KANKAKEE			CONTRACT NO. 46302	
ILLINOIS FED. AID PROJECT				