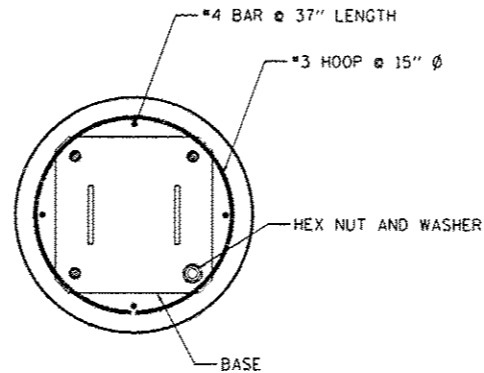
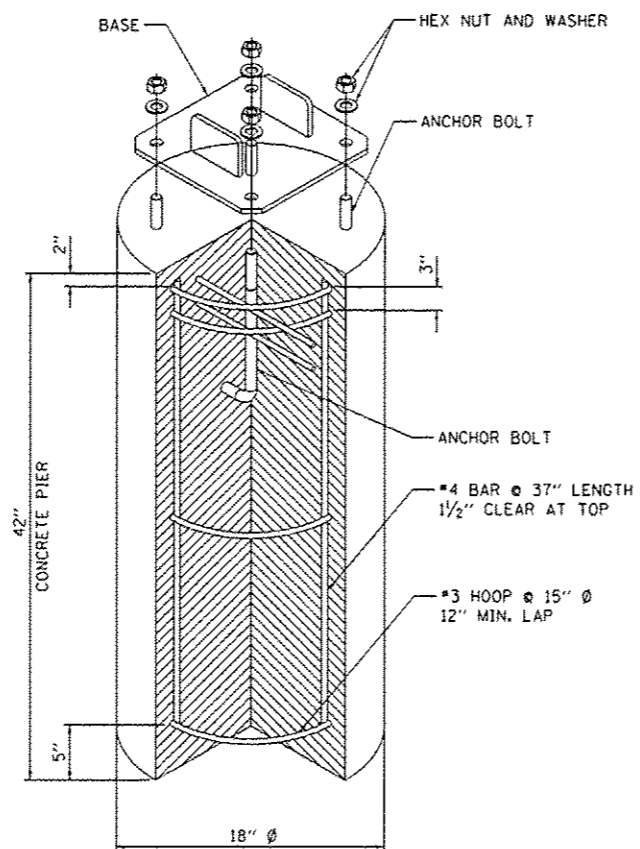


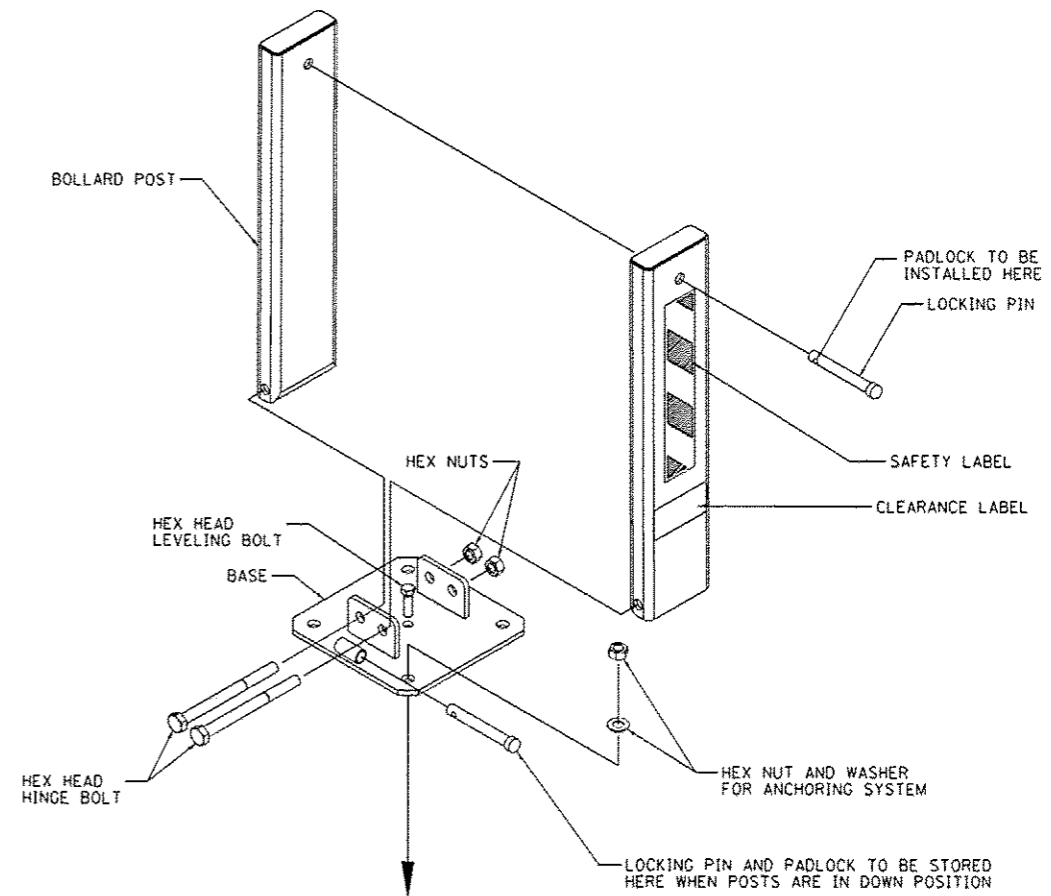
ELEVATION



SECTION



ANCHOR SYSTEM



DOUBLE HINGE BOLLARD POST

FILE NAME :	USER NAME : Brad Downen	DESIGNED -	REVISED -
L:\IDOT\1106610\W017\Draw\CADD\Sheets\046302.sht Details.dgn		DRAWN -	REVISED -
FOLD DOWN BOLLARDS	PLOT SCALE = 100.0000' / 1" =	CHECKED -	REVISED -
	PLOT DATE = 3/28/2014	DATE - 3/28/2014	REVISED -

STATE OF ILLINOIS
DEPARTMENT OF TRANSPORTATION

FOLD DOWN BOLLARD DETAIL
KANKAKEE RIVER STATE PARK

SCALE: N.T.S. SHEET 1 OF 1 SHEETS STA. TO STA.

F.A. RTE.	SECTION	COUNTY	TOTAL SHEETS	SHEET NO.
	PARK ROADS		69	65
• WILL AND KANKAKEE			CONTRACT NO. 46302	
ILLINOIS FED. AID PROJECT				