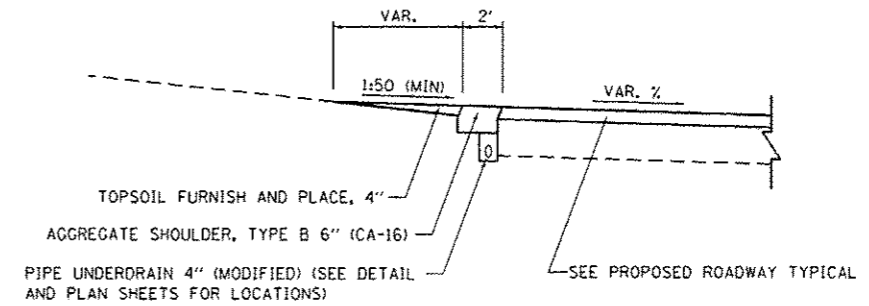


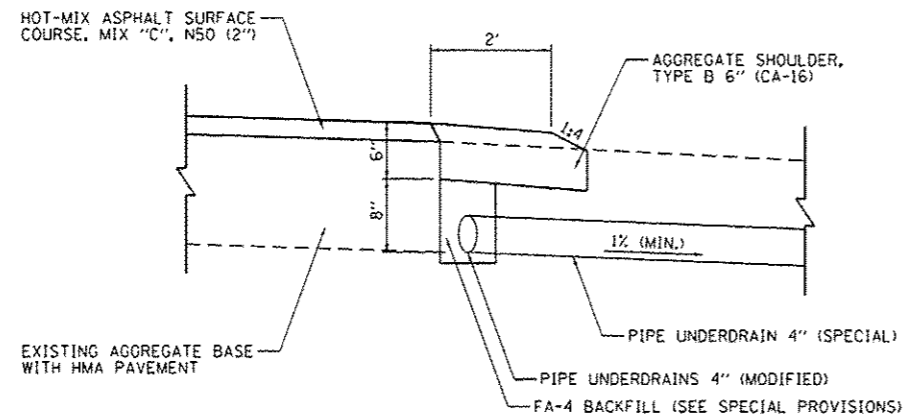
POSITIVE DRAINAGE - TYPICAL #1

POTAWATOMI CAMPGROUND ROAD
 HICKORY HILL
 ISLAND VIEW



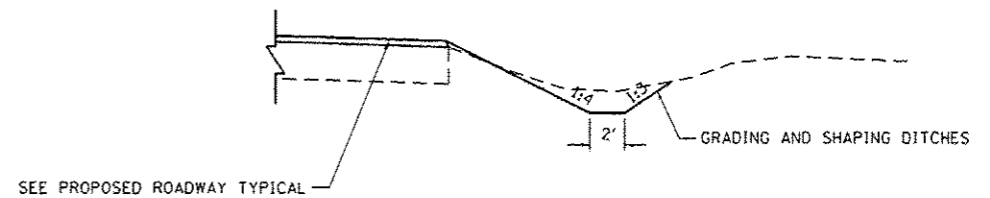
POSITIVE DRAINAGE - TYPICAL #2

OAK
 HAWTHORN
 OSAGE
 HICKORY



PIPE UNDERDRAIN DETAIL

SEE PLAN SHEETS FOR LOCATIONS
 SEE HIGHWAY STANDARD 601001 FOR ADDITIONAL DETAILS



DITCH - TYPICAL

EAST PARK ENTRANCE ROAD
 MAIN PARK ROAD
 POTAWATOMI CAMPGROUND ROAD

SEE PLAN SHEETS FOR DITCH LIMITS AND DETAILS

FILE NAME :	USER NAME : Brad Downen	DESIGNED - MJO	REVISED -
L:\DOT\1186618\WD.17\0-a\NCADD_Sheets\0	P46302_sht_typicals.dgn	DRAWN - RAH	REVISED -
Sheet 5	PLOT SCALE : 10,0000 ' / 1"	CHECKED - BJD	REVISED -
	PLOT DATE : 3/28/2014	DATE - 3/28/2014	REVISED -

STATE OF ILLINOIS
 DEPARTMENT OF TRANSPORTATION

TYPICAL SECTIONS & PAVEMENT STRUCTURE DETAILS
 KANKAKEE RIVER STATE PARK

SCALE: N.T.S. SHEET 5 OF 7 SHEETS STA. TO STA.

F.A. RTE.	SECTION	COUNTY	TOTAL SHEETS	SHEET NO.
	PARK ROADS	*	69	16
* WILL AND KANKAKEE			CONTRACT NO. 46302	
ILLINOIS FED. AID PROJECT				