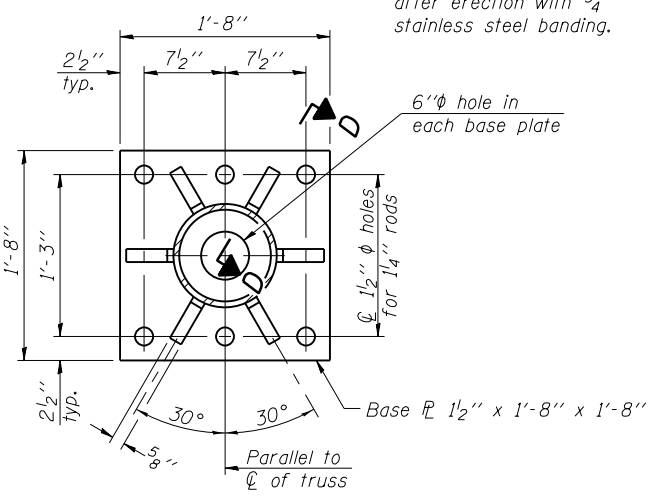
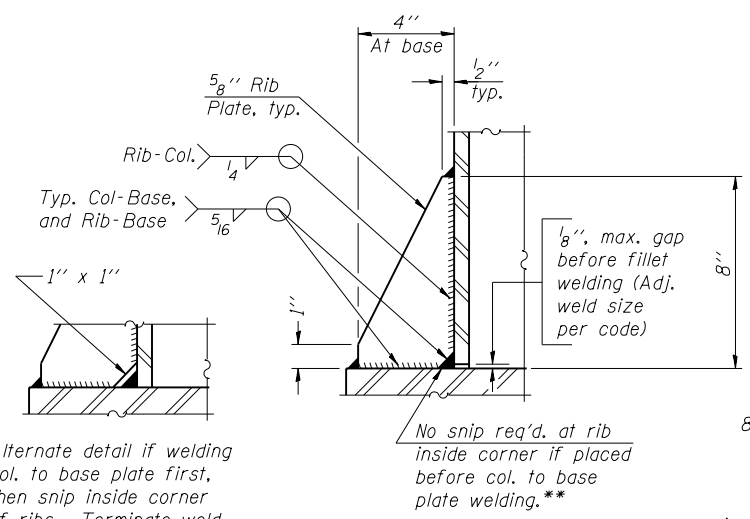


DETAIL B

Ribs shall be cut to fit slope of pipe.

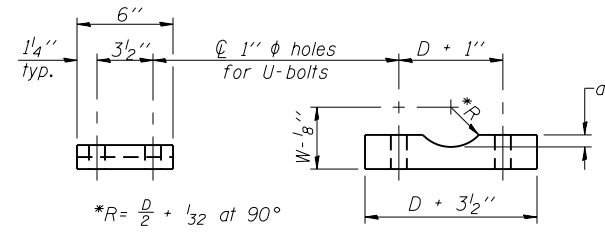


SECTION B-B



SECTION D-D

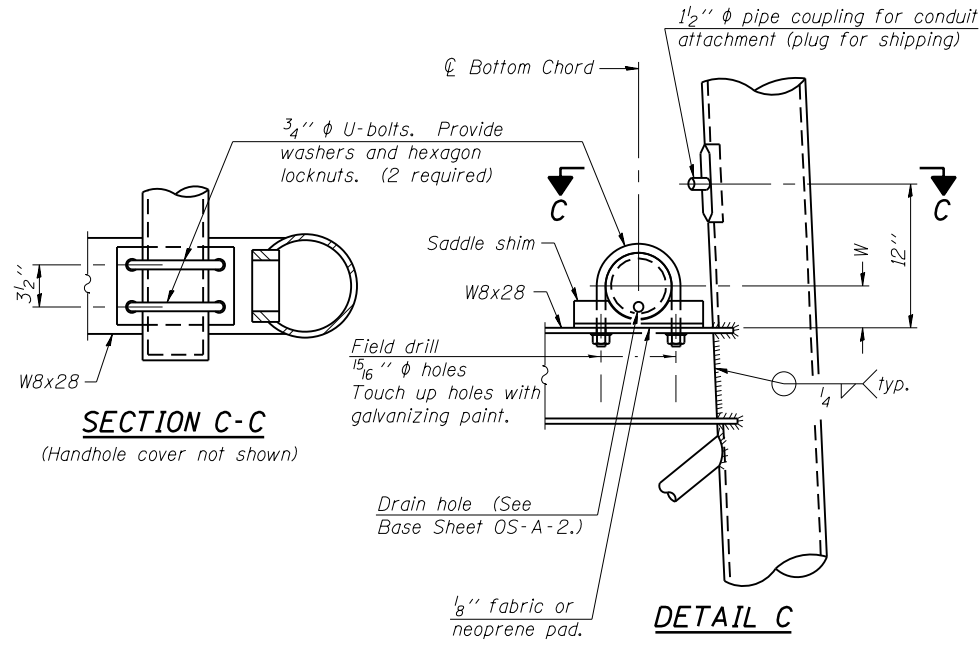
** Alternate detail if welding col. to base plate first, then snip inside corner of ribs. Terminate weld on rib 1/4" from snip.



SADDLE SHIM DETAIL

ASTM B26 Alloy 356-F or ASTM B209 Alloy 6061-T651 (4 required per sign truss)

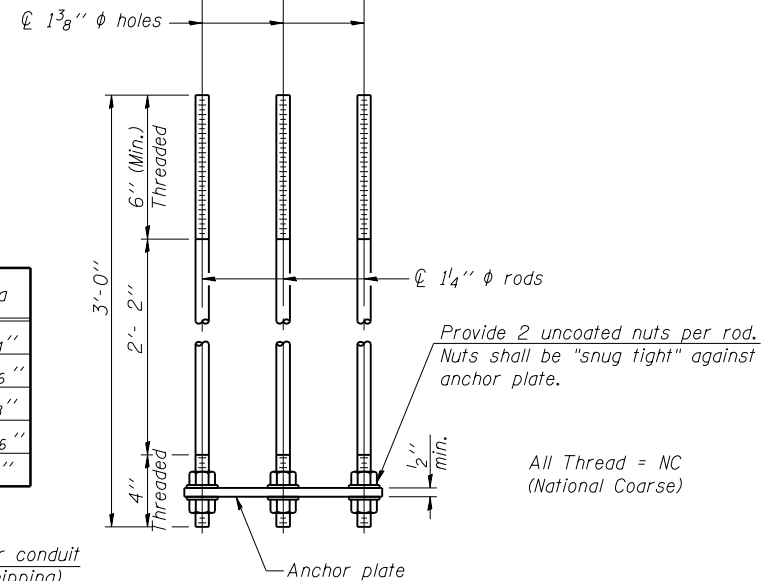
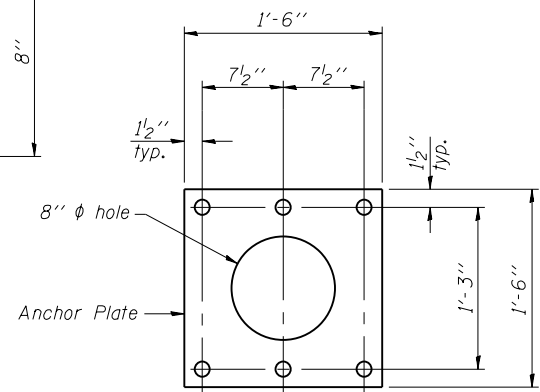
| Truss Chord Nominal Dia. | a |
|--------------------------|--------|
| 5" | 3/4" |
| 5 1/2" | 13/16" |
| 6" | 7/8" |
| 6 1/2" | 15/16" |
| 7" | 1" |



SECTION C-C

(Handhole cover not shown)

DETAIL C

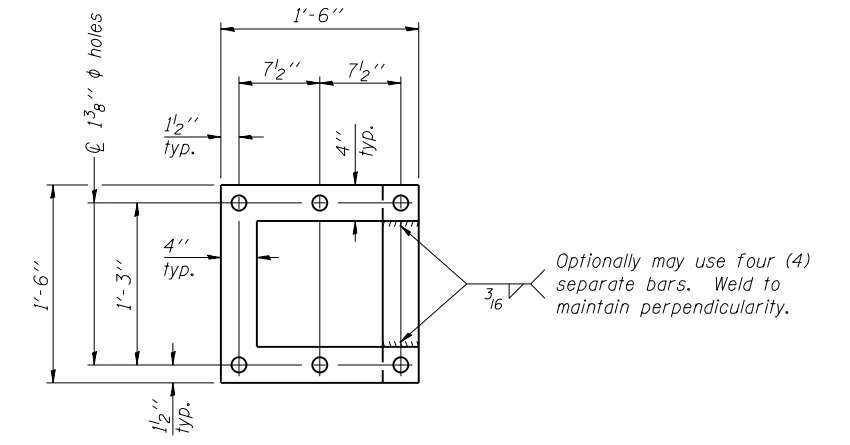


ANCHOR ROD DETAIL

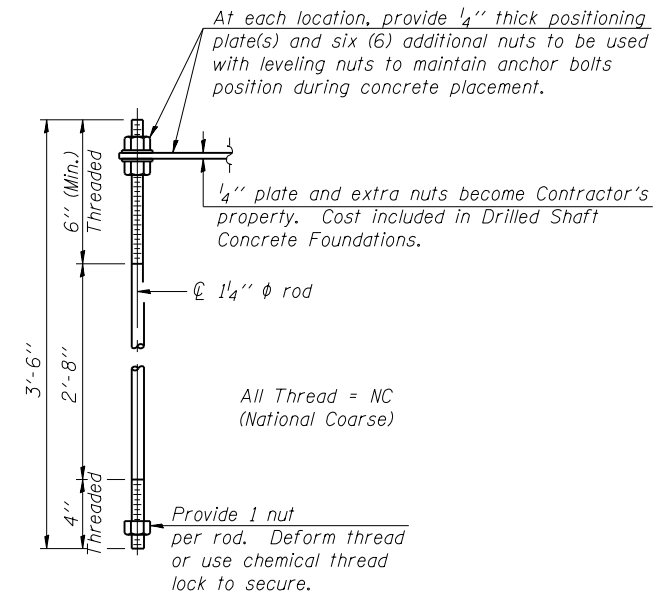
Spread Footing Foundation

Anchor rods shall conform to ASTM F1554 Grade 105. Galvanize upper 12" minimum per AASHTO M232. No welding shall be permitted on rods.

10" ϕ PIPE SUPPORT FRAME DETAILS



POSITIONING PLATE(S)



ANCHOR ROD DETAIL

Drilled Shaft Foundation

N:\PROJ\10020050\00\0020050\01\Design\Structural\CAD\SN-03-CN_-S016.dgn

OS-A-6A

6-1-12



| | | |
|-------------------------------------|---------------|-----------|
| USER NAME = jettanaseo | DESIGNED - NG | REVISED - |
| PLOT SCALE = 0:2.0000 1' = 1/4" in. | CHECKED - BWS | REVISED - |
| PLOT DATE = 1/31/2014 | DRAWN - RD | REVISED - |
| | CHECKED - BWS | REVISED - |

STATE OF ILLINOIS
DEPARTMENT OF TRANSPORTATION

OVERHEAD SIGN STRUCTURES
SUPPORT FRAME DETAILS - ALUMINUM TRUSS

SHEET NO. S-16 OF S-26 SHEETS

| | | | | |
|------------------------------|---------|--------|--------------------|-----------|
| F.A.I. RTE. | SECTION | COUNTY | TOTAL SHEETS | SHEET NO. |
| VAR. | . | ** | 45 | 35 |
| • D-2 OVD SIN STR REPL 14-27 | | | CONTRACT NO. 46288 | |
| ILLINOIS FED. AID PROJECT | | | | |

WINNEBAGO & OGLE