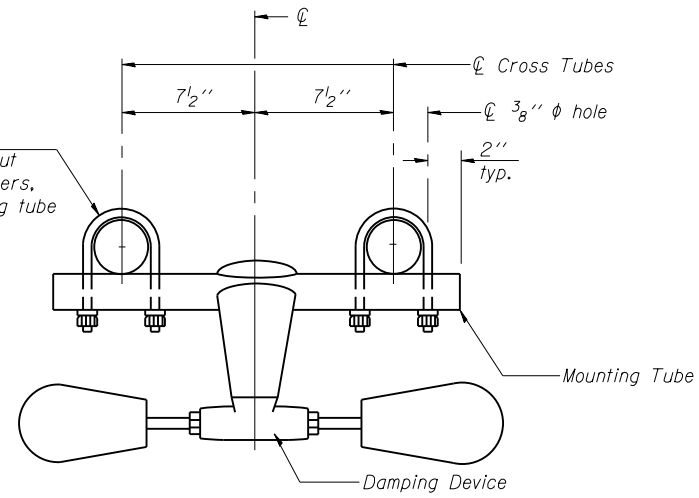
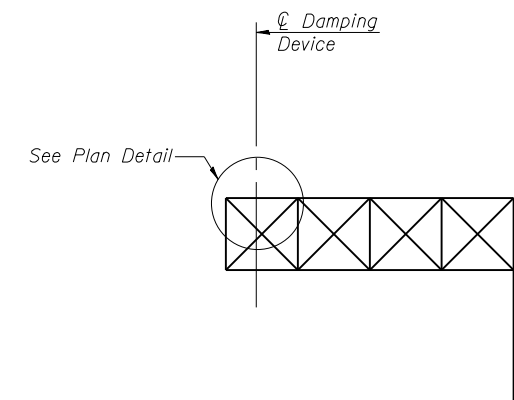


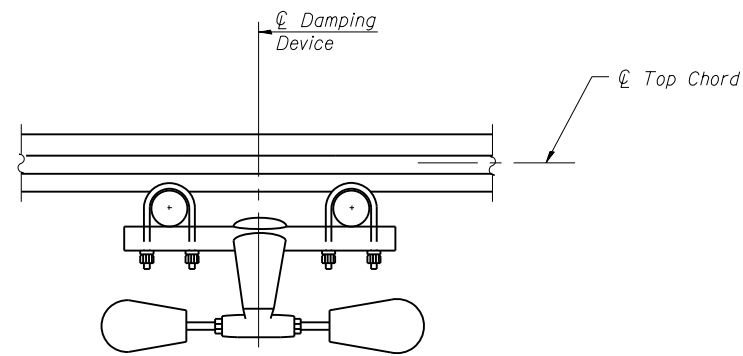
**PLAN DETAIL**



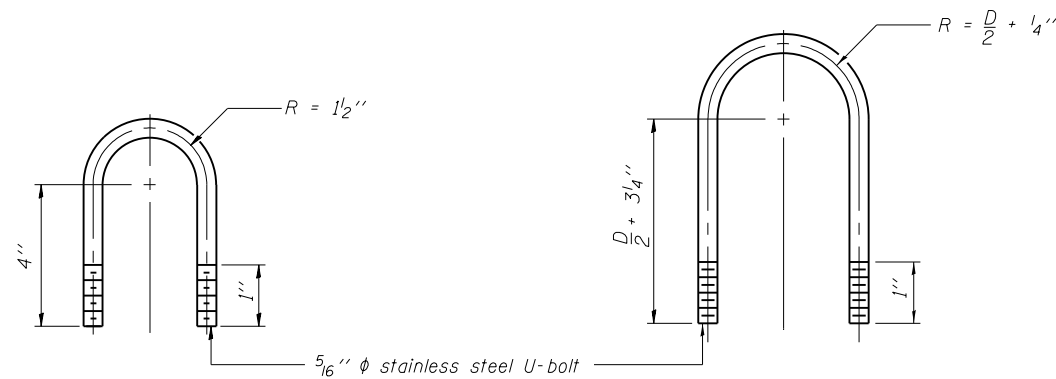
**TRUSS DAMPING DEVICE CONNECTION DETAIL**



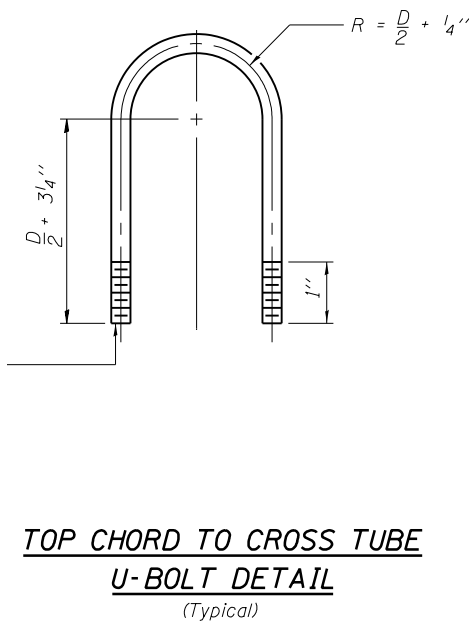
**ELEVATION**  
Aluminum Cantilever Sign Structure



**SECTION A-A**



**DAMPING DEVICE MOUNTING TUBE U-BOLT DETAIL**  
(Typical)



**TOP CHORD TO CROSS TUBE U-BOLT DETAIL**  
(Typical)

**GENERAL NOTES**

- Damper: One damper per truss. (31 lbs. Stockbridge-Type Aluminum-29\"/>
- Materials: Aluminum tubes shall be ASTM B221 alloy 6061 temper T6

N:\PROJ\10020080\002008001\Design\Structural\CAD\SN-021-CN\_-S0003.dgn

OSC-A-D

6-1-12



USER NAME = jettanaseo	DESIGNED - NG	REVISED -
	CHECKED - BWS	REVISED -
PLOT SCALE = 0:2.0000 1' = 1/4\"/>	DRAWN - RD	REVISED -
PLOT DATE = 1/31/2014	CHECKED - BWS	REVISED -

**STATE OF ILLINOIS  
DEPARTMENT OF TRANSPORTATION**

**CANTILEVER SIGN STRUCTURE  
DAMPING DEVICE**

SHEET NO. S-3 OF S-26 SHEETS

F.A.I. RTE.	SECTION	COUNTY	TOTAL SHEETS	SHEET NO.
VAR.	.	..	45	22
• D-2 OVD SIN STR REPL 14-27			CONTRACT NO. 46288	
ILLINOIS FED. AID PROJECT				