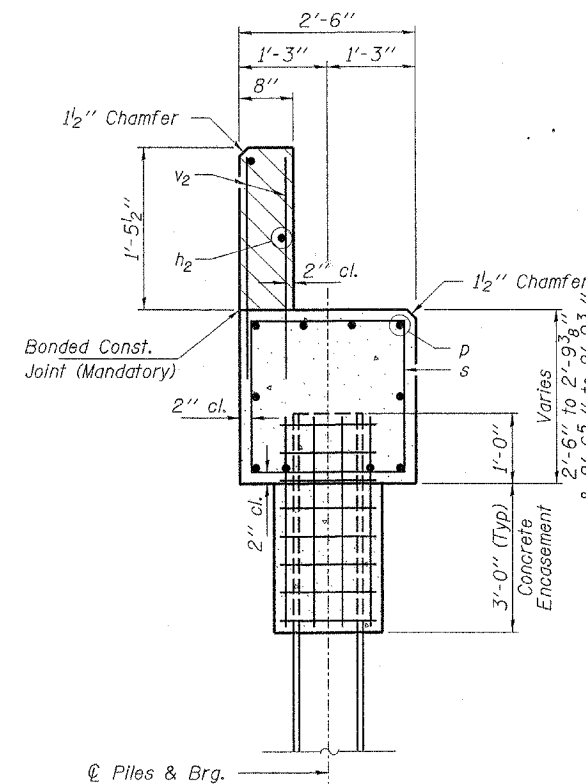
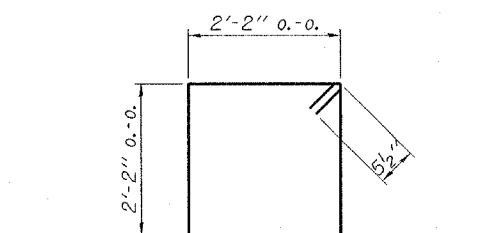


PLAN

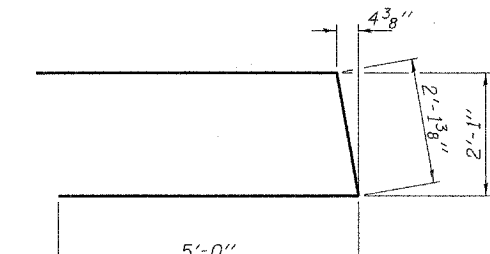


SECTION A-A

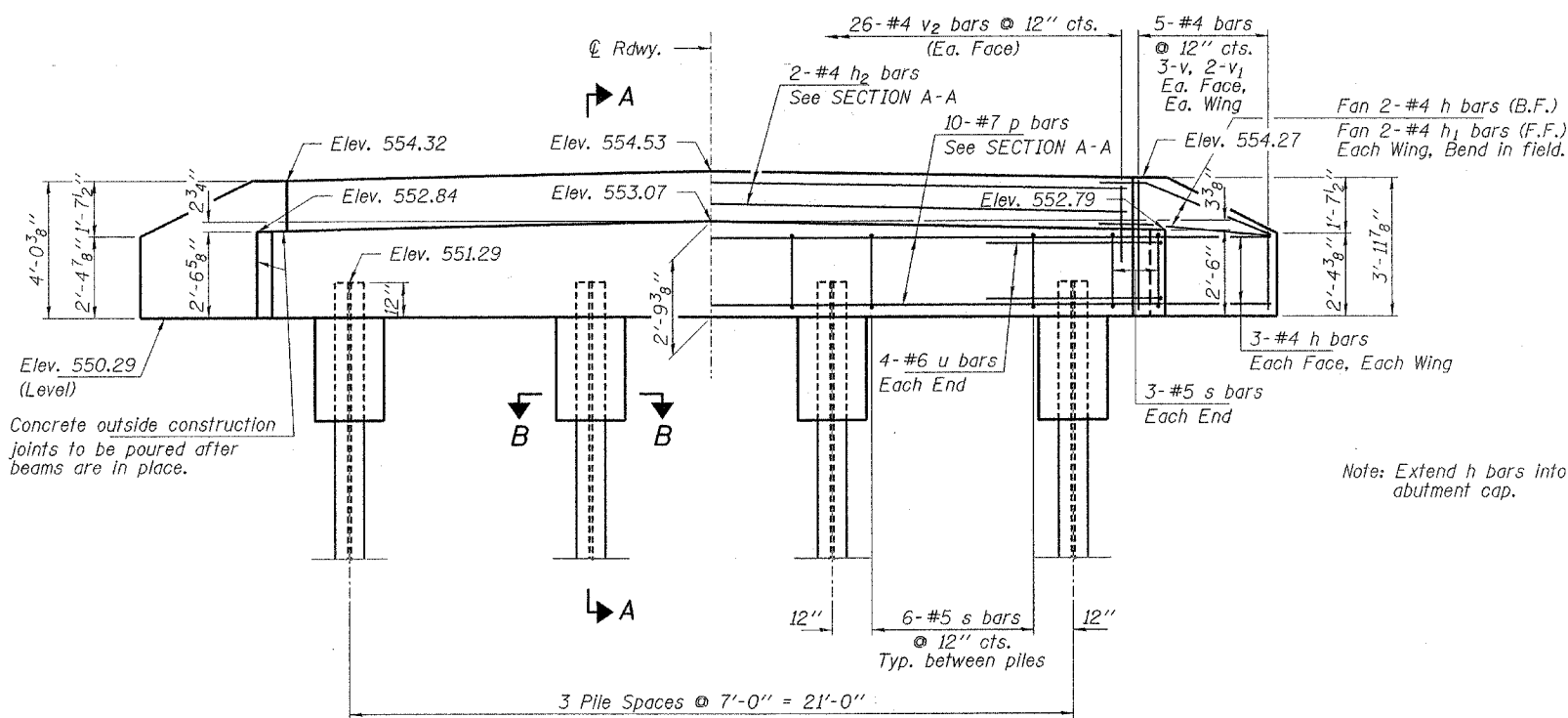
Hatched area to be poured after beams are in place.



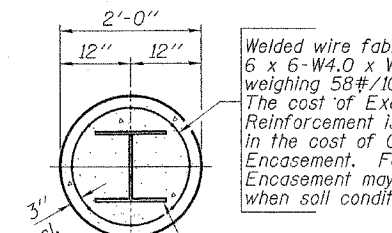
BAR s



BAR u



ELEVATION
(Looking East)



SECTION B-B

Welded wire fabric 6 x 6-W4.0 x W4.0 weighing 58#/100 sq. ft. The cost of Excavation and Reinforcement is included in the cost of Concrete Encasement. Forms for Encasement may be omitted when soil conditions will permit.

Steel Pile HP10x42

Note: Extend h bars into abutment cap.

PILE DATA

Type.....Steel HP10x42
 No. Req'd.....4
 Allowable Resistance Available.....112 Kips/Pile
 Nominal Req'd Bearing.....336 Kips/Pile
 Est. Length.....20 Ft./Pile

Notes: The Steel H-Piles shall be according to ASHTO M270 Grade 50.
 See Sheet 14 for pile details.

BILL OF MATERIAL - E. ABUT.

BAR	NO.	SIZE	LENGTH	SHAPE
h	16	#4	5'-6"	—
h ₁	4	#4	4'-0"	—
h ₂	2	#4	25'-7"	—
p	10	#7	25'-7"	—
s	24	#5	9'-7"	□
u	8	#6	12'-2"	U
v	12	#4	3'-2"	—
v ₁	8	#4	2'-2"	—
v ₂	52	#4	2'-4"	—
Concrete Structures			Cu. Yd.	8.2
Concrete Encasement			Cu. Yd.	1.4
Reinforcement Bars			Pound	1,130
Steel Piles HP10x42			Foot	80

HAMPTON, LENZINI & RENWICK, INC.
 CIVIL & STRUCTURAL ENGINEERS
 LAND SURVEYORS
 3085 STEVENSON DRIVE, SUITE 201
 SPRINGFIELD, ILLINOIS 62703
 (217) 546-3400

ELGIN • SPRINGFIELD

PROJECT NUMBER: 12-87-0018-1 DATE: 01/23/08
 DESIGNED: R.J.P. CHECKED: S.W.M. DRAWN: D.T.M.

EAST ABUTMENT
SECTION 06-03113-00-BR
CLARKSBURG ROAD DISTRICT
SHELBY COUNTY

STRUCTURE NO. 087-3561 / STATION 10+00