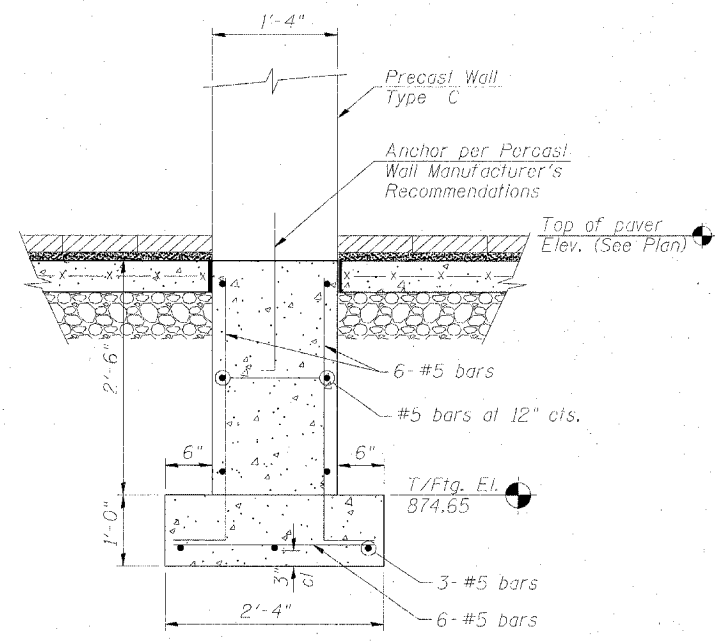
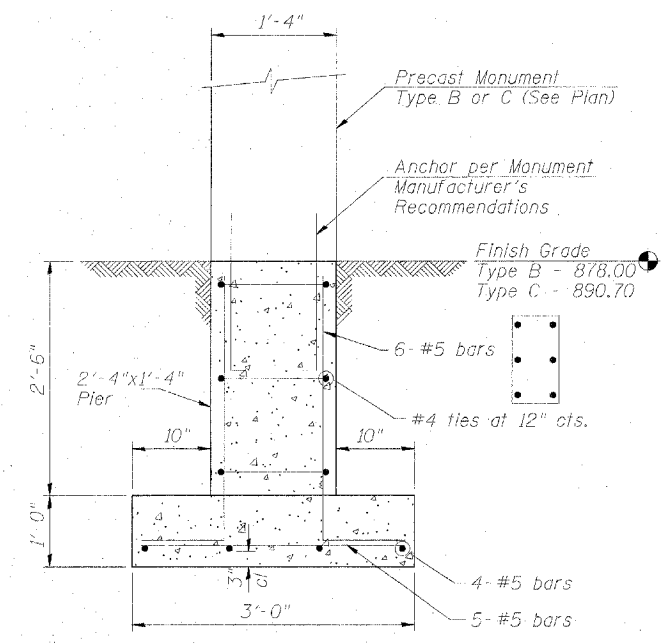


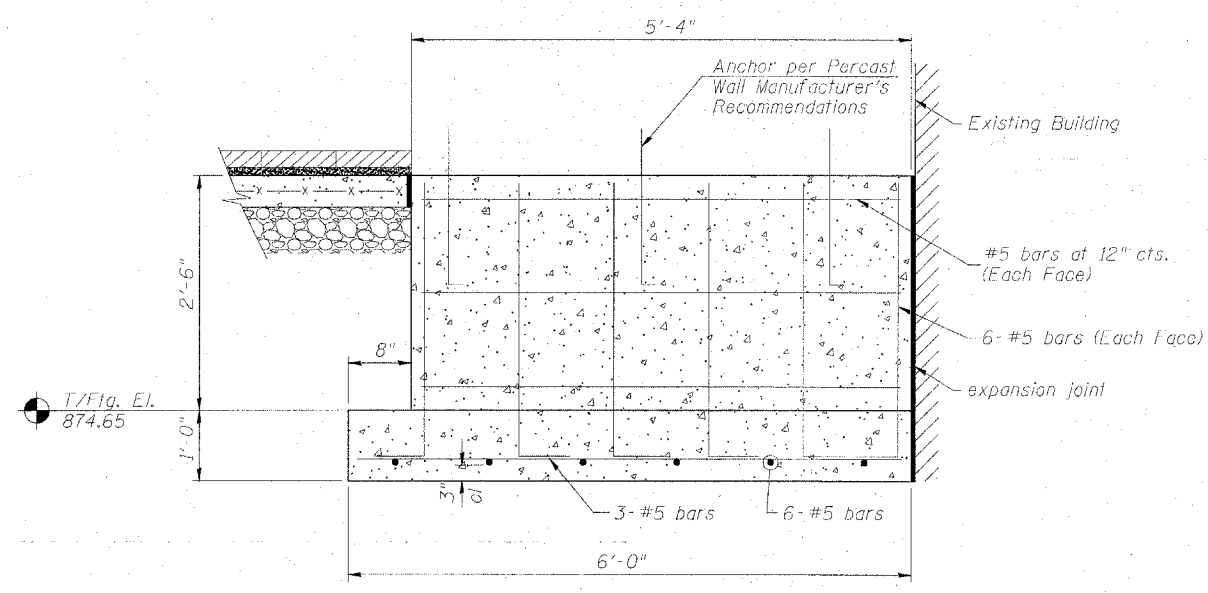
SECTION H-H
PRECAST WALL TYPE D FOUNDATION



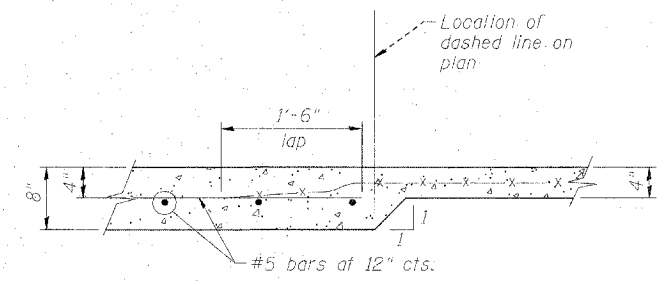
SECTION J-J
PRECAST WALL TYPE C FOUNDATION



SECTION K-K
MONUMENT TYPE B FOUNDATION
MONUMENT TYPE C FOUNDATION



SECTION L-L
PRECAST WALL TYPE C FOUNDATION



SECTION M-M
TYPICAL THICKENED SLAB DETAIL

FLN 12/26/01 Hussar0041
MEM 04/10/08 04/10/08
DRAWN MCM
REVIEWED FLN
I:\Projects\15515\15515\15515\CADD\Struct\Sheet\15515-PCAST WALL.FIN.dwg

FILE NAME -	USER NAME = MWH	DESIGNED - FLN	REVISED -
15515-PCAST WALL.FIN.dwg		DRAWN - MCM	REVISED -
	PLOT SCALE = AS SHOWN	CHECKED - FLN	REVISED -
	PLOT DATE = 04/14/2008, 11:34 AM	DATE - 04/10/08	REVISED -

STATE OF ILLINOIS
DEPARTMENT OF TRANSPORTATION

FOUNDATION DETAILS		F.A.P. RTE.	SECTION	COUNTY	TOTAL SHEETS	SHEET NO.
EAST LINCOLN HIGHWAY		567	06-00173-00-LT	DEKALB	41	39
LIGHTING AND STREETSCAPE				CONTRACT NO.	87337	
DEKALB, IL				ILLINOIS DEP 32095		