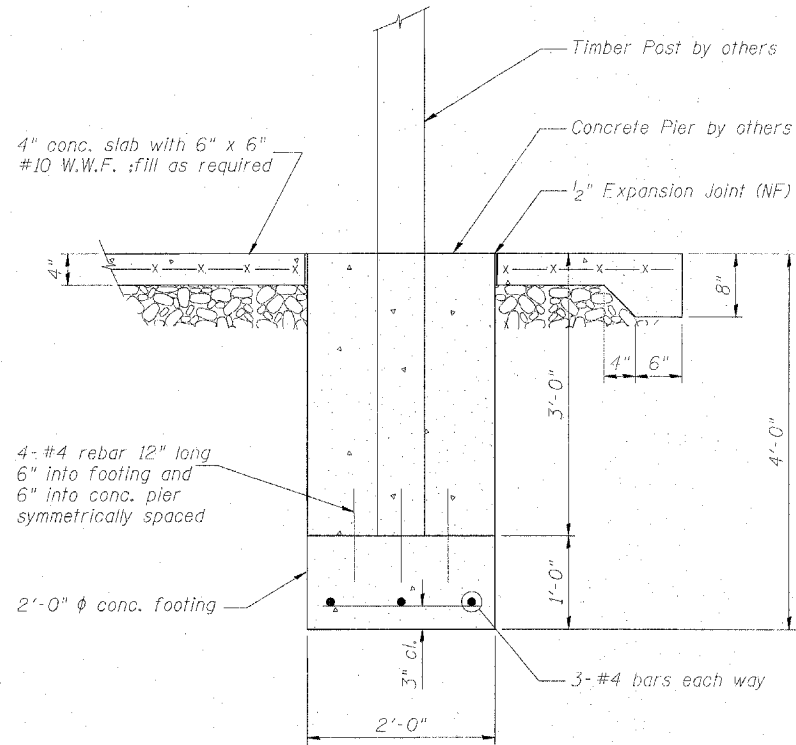
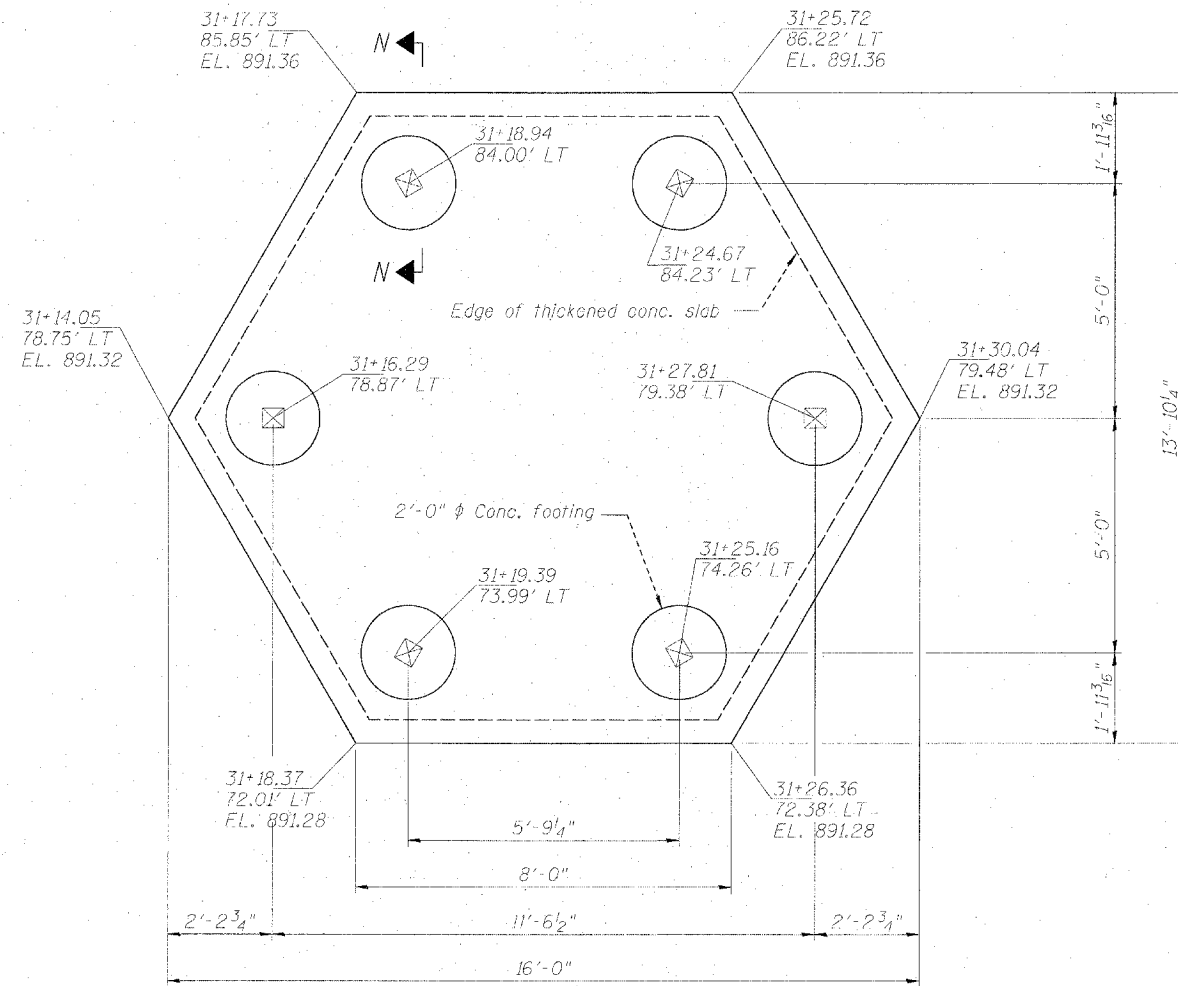




Hanson Professional Services Inc.  
 © Copyright Hanson Professional Services Inc. 2008



**SECTION N-N**  
**GAZEBO POST FOUNDATION**  
 (Designed by Wendler Engineering Services)



**FOUNDATION PLAN**  
 SCALE: 1/2" = 1'-0"

FILE NAME = S:\05Jobs\851561\CADD\Struct\Sheet\S-GAZEBO.dgn  
 LAYOUT: FLN 03/25/08 Huss0041  
 DRAWN: WGM 04/10/08 04:14:2008.11:34 AM  
 REVIEWED: FLN 04/10/08 15:05:08 15:05:08 15:05:08

DESIGNED -	FLN	REVISED -	
DRAWN -	MGM	REVISED -	
CHECKED -	FLN	REVISED -	
DATE -	04/10/08	REVISED -	

**STATE OF ILLINOIS**  
**DEPARTMENT OF TRANSPORTATION**

**FOUNDATION PLAN - GAZEBO SLAB**  
**EAST LINCOLN HIGHWAY**  
**LIGHTING AND STREETScape**  
**DEKALB, IL**

F.A.P. R.T.E.	SECTION	COUNTY	TOTAL SHEETS	SHEET NO.
567	06-00173-00-LT	DEKALB	41	38
		CONTRACT NO. 87337		

SCALE: AS SHOWN SHEET NO. OF SHEETS STA. TO STA.

FAP 567 ILLINOIS IVEP 32025