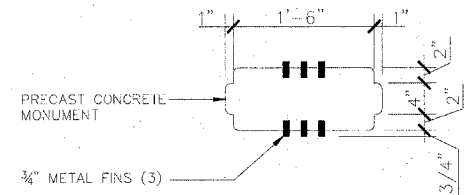
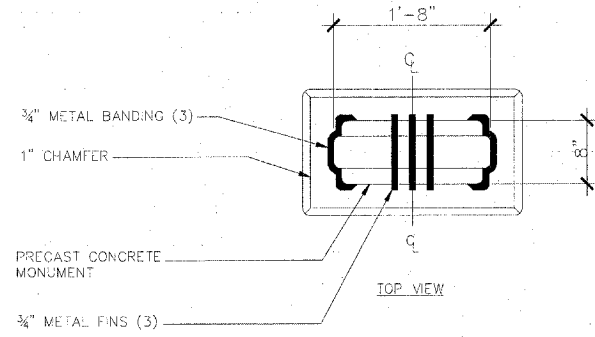




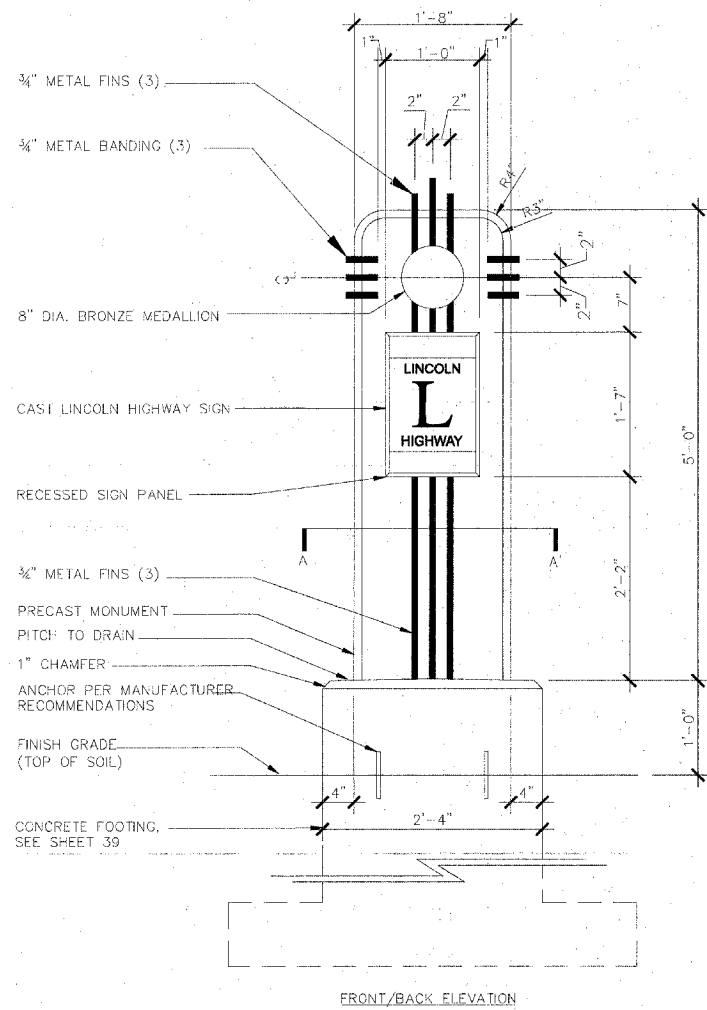
SAA 10/27/09 08:11:00 H:\ssu00411
 DRAWN SAA 10/27/09 08:11:00 C:\PVA\2008_01\33 PM
 REVIEWED CPS 10/27/09 08:11:00 I:\05 Jobs\051501\ACAD\00\Room\Sheet\SAA\VP-D.DGN



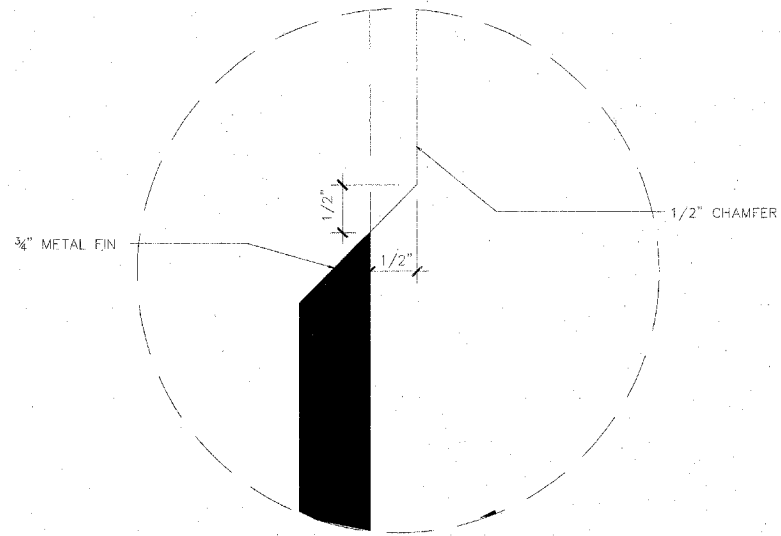
SECTION A-A'



TOP VIEW



FRONT/BACK ELEVATION



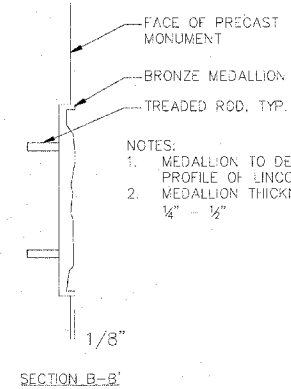
RECESSED SIGN PANEL SECTION

NTS



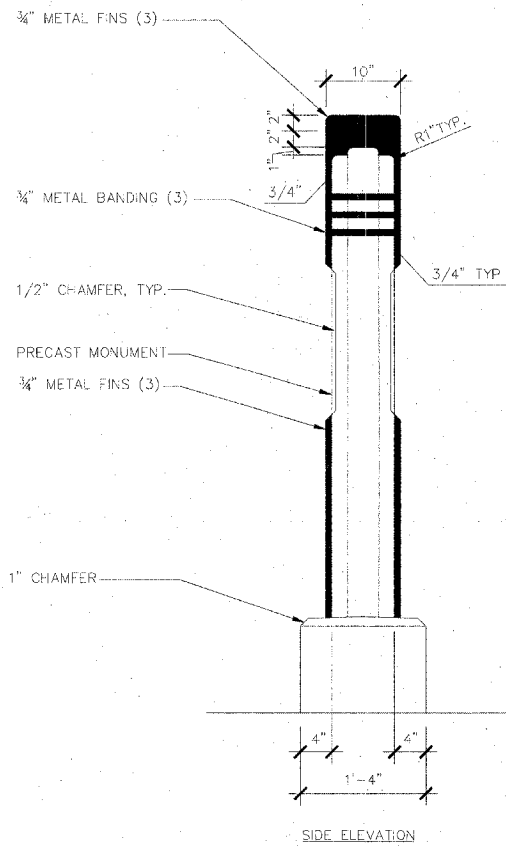
8" BRONZE MEDALLION ENLARGEMENT

SCALE 3" = 1'-0"



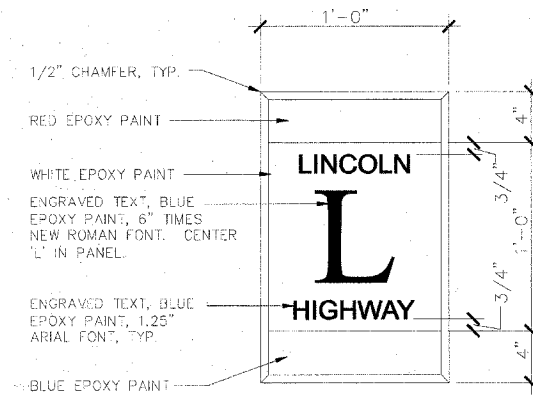
SECTION B-B'

- NOTES:
1. MEDALLION TO DEPICT BUST PROFILE OF LINCOLN
 2. MEDALLION THICKNESS VARIES FROM 1/4" - 1/2"



SIDE ELEVATION

- NOTE:
1. MONUMENT MANUFACTURER TO SUBMIT SHOP DRAWINGS OF TOWER FOR APPROVAL PRIOR TO FABRICATION.



CAST LINCOLN HIGHWAY SIGN

SCALE 2" = 1'-0"

MONUMENT - TYPE C
(DOUBLE SIDED) STATION: 30+84 LT

SCALE 1" = 1'-0"

STATE OF ILLINOIS
DEPARTMENT OF TRANSPORTATION

LANDSCAPE DETAILS - MONUMENT TYPE C
EAST LINCOLN HIGHWAY
LIGHTING AND STREETSCAPE
DEKALB, IL

SCALE: AS SHOWN SHEET NO. OF SHEETS STA. TO STA.

F.A.P. RTE.	SECTION	COUNTY	TOTAL SHEETS	SHEET NO.
567	06-00173-00-LT	DEKALB	41	24
CONTRACT NO. 87337				
FAP 567	ILLINOIS IEP 32025			