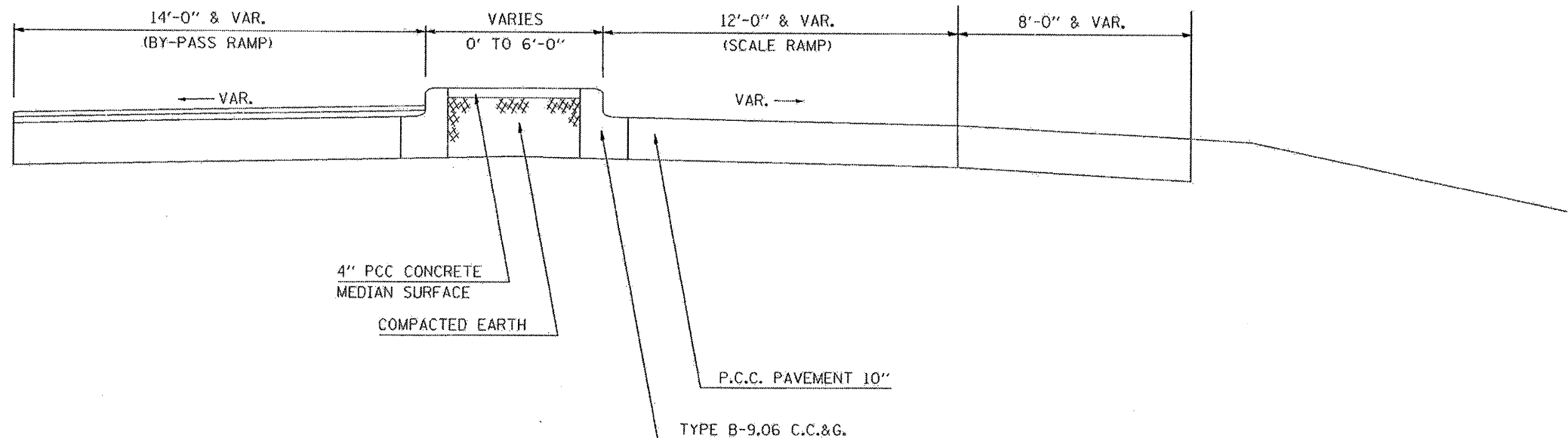


EXISTING TYPICAL CROSS SECTION

WEIGH STATION - RAMPS

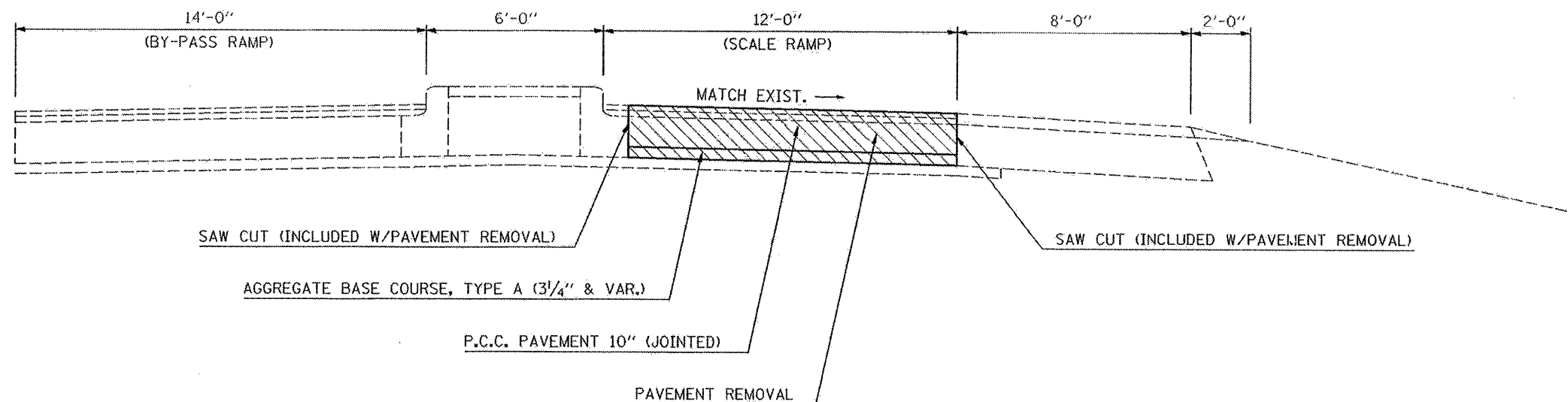
STATION 12+08.81 TO STATION 12+38.81
STATION 13+72.24 TO STATION 13+92.24



PROPOSED TYPICAL CROSS SECTION

WEIGH STATION - RAMPS

STATION 12+08.81 TO STATION 12+38.81
STATION 13+72.24 TO STATION 13+92.24



FILE NAME = c:\projects\p202908\vd02908shs.dgn	USER NAME = ditzlerso	DESIGNED -	REVISED -	STATE OF ILLINOIS DEPARTMENT OF TRANSPORTATION	TYPICAL SECTIONS	F.A.I RTE. 80	SECTION (81-1WS-2IM-1)	COUNTY ROCK ISLAND	TOTAL SHEETS 18	SHEET NO. 6
PLOT SCALE = 50,000 / IN.		DRAWN -	REVISED -	SCALE: SHEET NO. OF SHEETS STA. TO STA.		FED. ROAD DIST. NO. ILLINOIS FED. AID PROJECT CONTRACT NO. 64D93				
PLOT DATE = Wed Mar 12 13:12:09 2008		CHECKED -	REVISED -							
		DATE -	REVISED -							