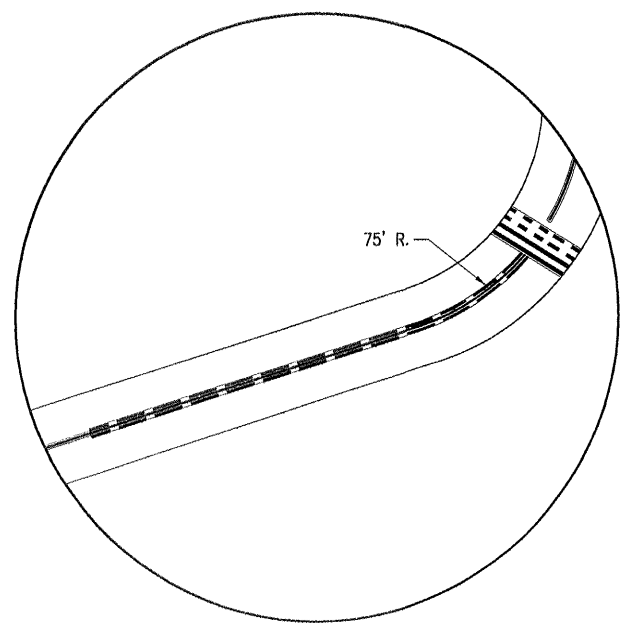
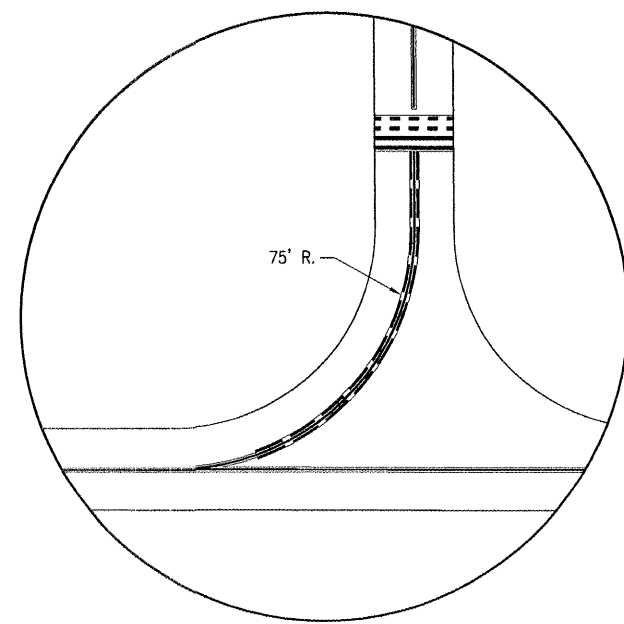
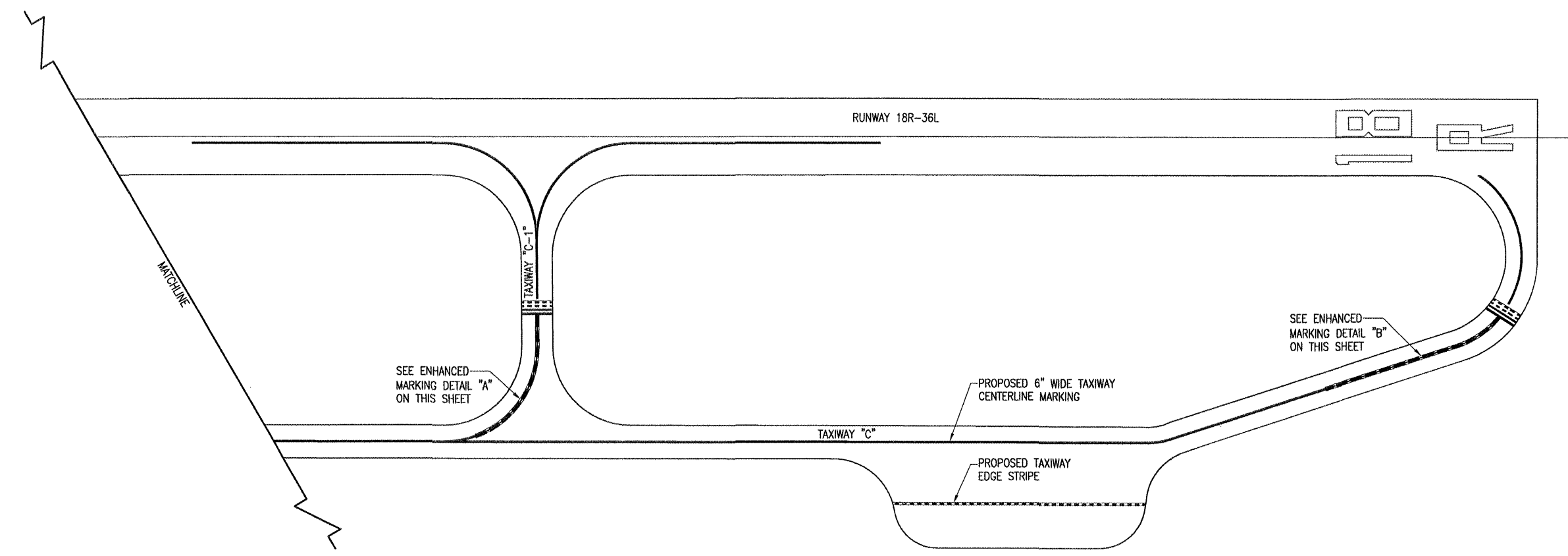
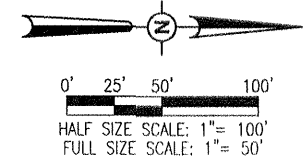


MAY 12, 2009 11:36 AM KINCAID0394
 I:\AIRPORTS\SIA-CARBONDALE\08A0067\CADD\AIRPORT\SHEET\R-151.MRK.DWG - Layout1 (10)

SO078



- LEGEND**
- EXISTING PAVEMENT
 - EXISTING PAVEMENT MARKING
 - PROPOSED PAVEMENT MARKING



DATE	REVISION	BY

SOUTHERN ILLINOIS AIRPORT
 MURPHYSBORO / CARBONDALE, ILLINOIS

SIA
 SOUTHERN ILLINOIS AIRPORT

IL PROJ.: MDH-3692 A.I.P. PROJ.: 3-17-0009-B29

Hanson Project No. 08A0067D_0800	
Revision R-151.MRK.DWG	
Scale 1" = 50'	
Date 01/26/09	
LAYOUT	JSL 04/03/09
DRAWN	BAK 01/26/09
REVIEWED	CAH 04/10/09

HANSON

Hanson Professional Services Inc.
 1525 South Sixth Street
 Springfield, Illinois 62709-2886
 Offices Nationwide

REHABILITATE
 TAXIWAY "B"

PROPOSED
 MARKING
 PLAN