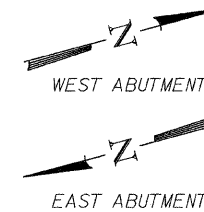
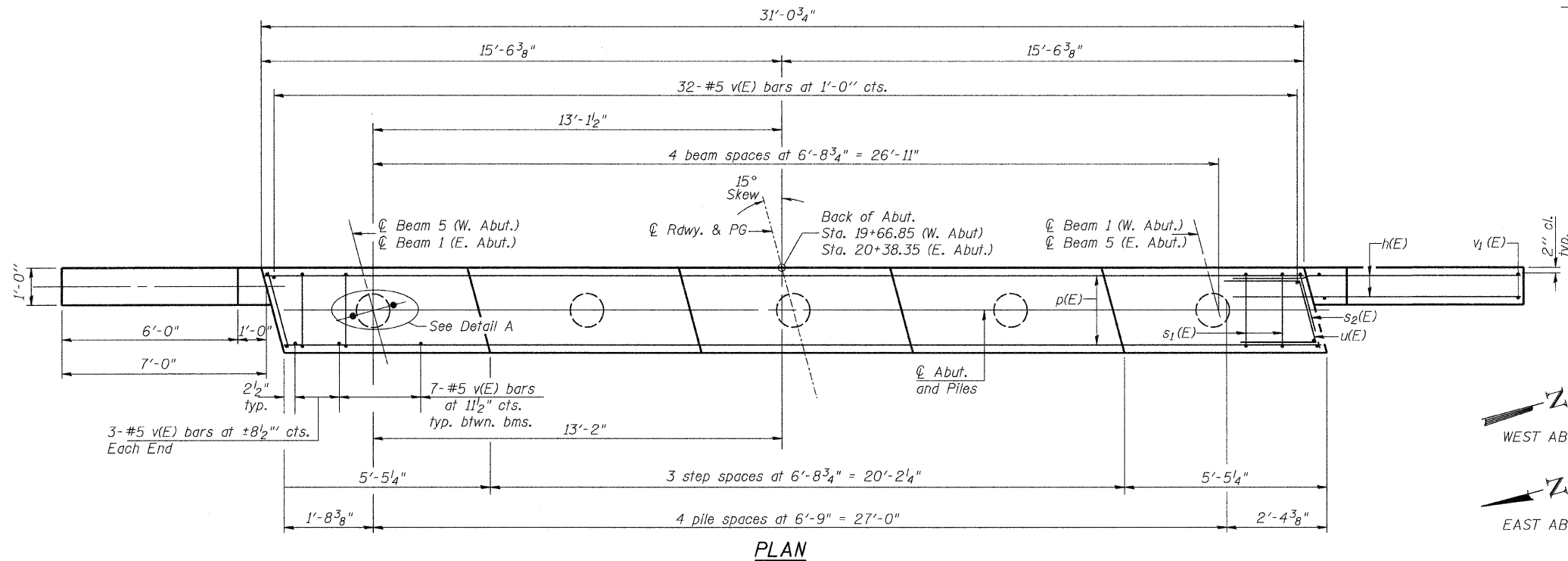
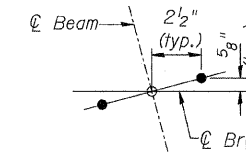
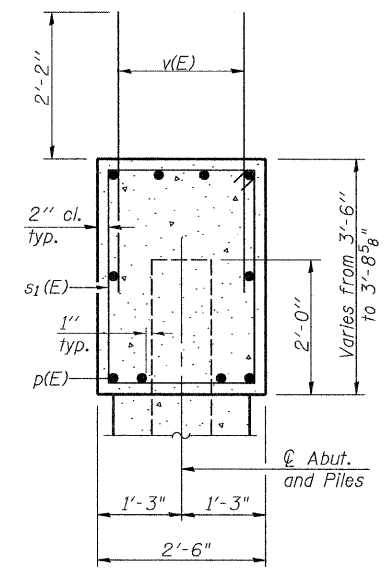
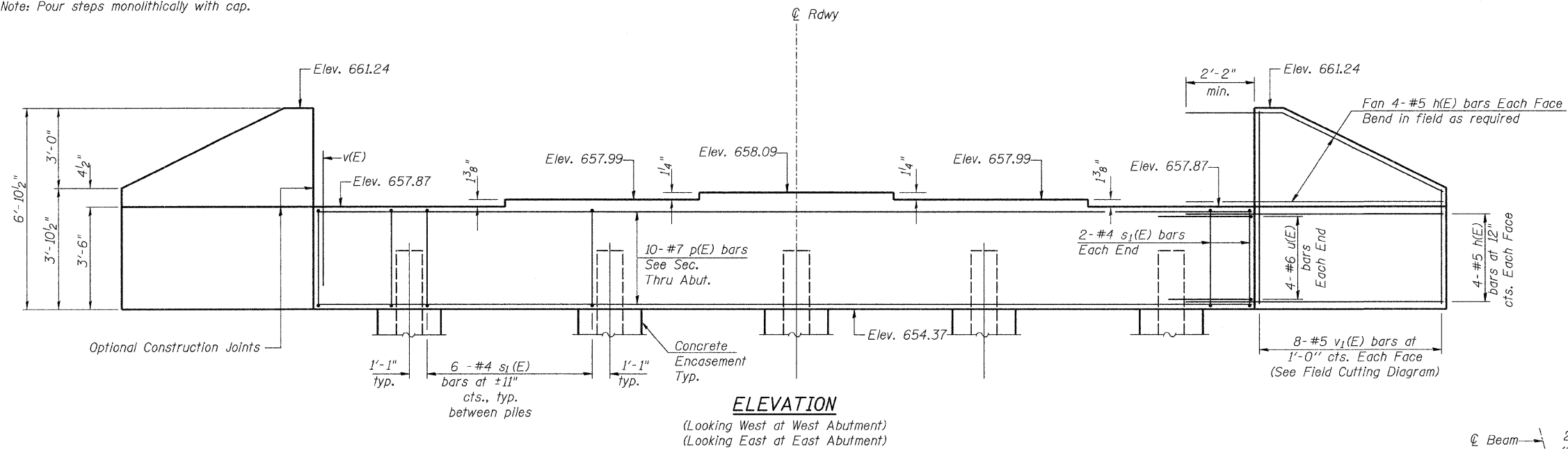
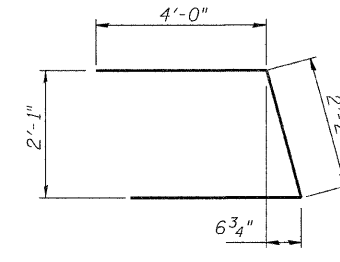
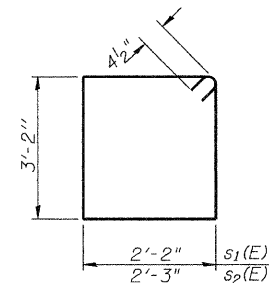
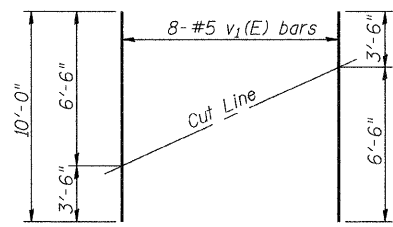


Note: Pour steps monolithically with cap.



**PILE DATA**  
 Type: Metal Shell-12"Øx0.25" walls w/ Pile Shoes  
 Nominal Required Bearing: 280 k  
 Factored Resistance Available: 140 k  
 Est. Length: 51'  
 No. Production Piles: 8 (4 at each abutment)  
 No. Test Piles: 2 (1 at each abutment)



**TWO ABUTMENTS  
BILL OF MATERIAL**

Bar	No.	Size	Length	Shape
h(E)	64	#5	9'-2"	—
p(E)	20	#7	30'-6"	—
s1(E)	56	#4	11'-5"	□
s2(E)	4	#4	11'-7"	□
u(E)	16	#6	10'-2"	∟
v(E)	136	#5	4'-4"	—
v1(E)	32	#5	10'-0"	—
Structure Excavation			Cu. Yd.	115
Concrete Structures			Cu. Yd.	25.9
Reinforcement Bars, Epoxy Coated			Pound	3,510
Furnishing Metal Shell Piles 12"Øx0.25"			Foot	408
Driving Piles			Foot	408
Test Pile Metal Shells			Each	2
Pile Shoes			Each	10
Concrete Encasement			Cu. Yd.	4.6

① See Special Provisions

For details of piles and Concrete Encasement, see sheet 13 of 15.  
 Space reinforcement in cap to miss anchor bolts.

**ABUTMENTS  
COUNTY HIGHWAY 10 OVER  
FOUNTAIN CREEK TRIBUTARY  
SEC. 07-00216-01-BR  
IROQUOIS COUNTY  
STATION 20+02.60**