

## AUTOMATIC FLAPGATE (WITH HEADWALL)

### GENERAL NOTES

THE AUTOMATIC FLAP GATE SHALL BE COMMERCIALY PRODUCED BY A RELIABLE MANUFACTURER. THE GATE MAY BE MADE OF CAST IRON, CAST STEEL, OR OTHER SUITABLE MATERIAL. THE DESIGN MAY DIFFER FROM THE DRAWING IF THE GATE WILL WORK IN A SATISFACTORY, TROUBLE FREE MANNER AND WILL WITHSTAND THE ANTICIPATED WATER PRESSURE. THE GATE SHALL BE APPROVED BY THE ENGINEER.

THE SIZE OF AUTOMATIC FLAP GATES REFERS TO THE DIAMETER OF THE PIPE.

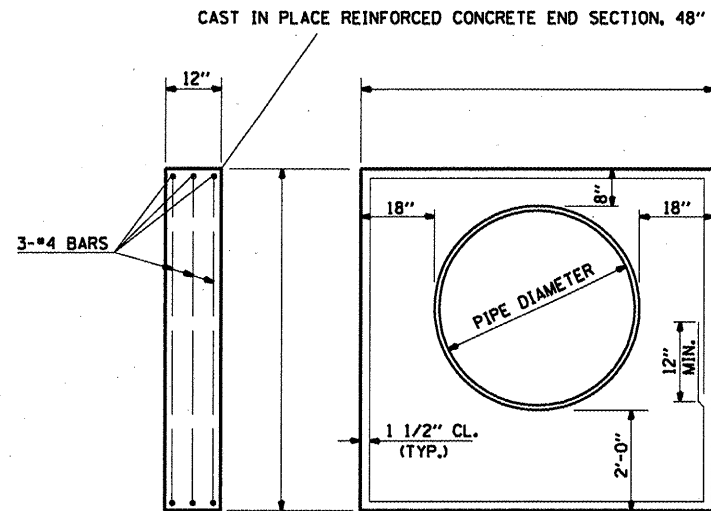
THIS WORK SHALL BE PAID FOR AT THE CONTRACT UNIT PRICE EACH FOR AUTOMATIC FLAP GATES OF THE SIZE SPECIFIED AND SHALL INCLUDE ALL LABOR AND MATERIALS NECESSARY TO COMPLETE THE INSTALLATION.

THE SPECIAL OUTLET HEADWALL SHALL BE PAID FOR AT THE CONTRACT UNIT PRICE FOR CU. YD. FOR CONCRETE HEADWALL AND PER POUND OF REINFORCEMENT BARS AND NO ADDITIONAL COMPENSATION WILL BE ALLOWED EXPOSED EDGES SHALL BE BEVELLED 3/4". CLASS SI CONCRETE SHALL BE USED THROUGHOUT.

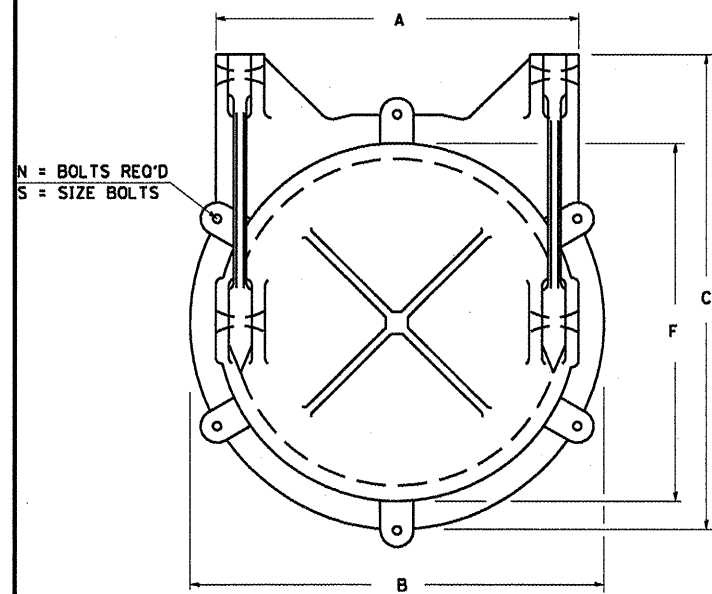
THIS HEADWALL IS NOT DESIGNED FOR RETENTION OF AN EARTH EMBANKMENT.

### TYPICAL DIMENSIONS IN INCHES

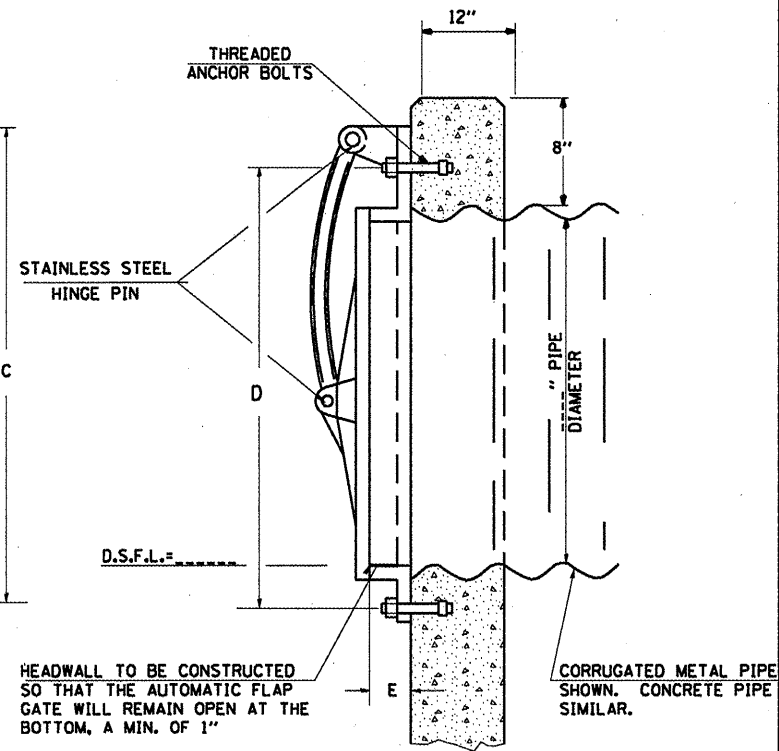
PIPE DIAMETER	A	B	C	D	E	F	N	S
12	13 1/4	15 1/4	18	15 1/4	1 1/4	13 1/4	4	3/4
15	16 1/4	19	21	18 1/4	1 1/4	16 1/4	4	3/4
18	19 1/4	22 1/4	24 1/4	22 1/4	1 1/4	19 1/4	4	3/4
21	22 1/4	25 1/4	27 1/4	25 1/4	1 1/4	22 1/4	4	3/4
24	25 1/4	28 1/4	30 1/4	28 1/4	1 1/4	25 1/4	6	3/4
27	28 1/4	31 1/4	33 1/4	31 1/4	1 1/4	28 1/4	6	3/4
30	31 1/4	34 1/4	36 1/4	33 1/4	1 1/4	31 1/4	6	3/4
36	37 1/4	41 1/4	43 1/4	41 1/4	1 1/4	37 1/4	6	3/4
42	43 1/4	47 1/4	49 1/4	47 1/4	1 1/4	43 1/4	6	3/4
48	49 1/4	54	56 1/4	54	1 1/4	49 1/4	6	1



SPECIAL OUTLET HEADWALL

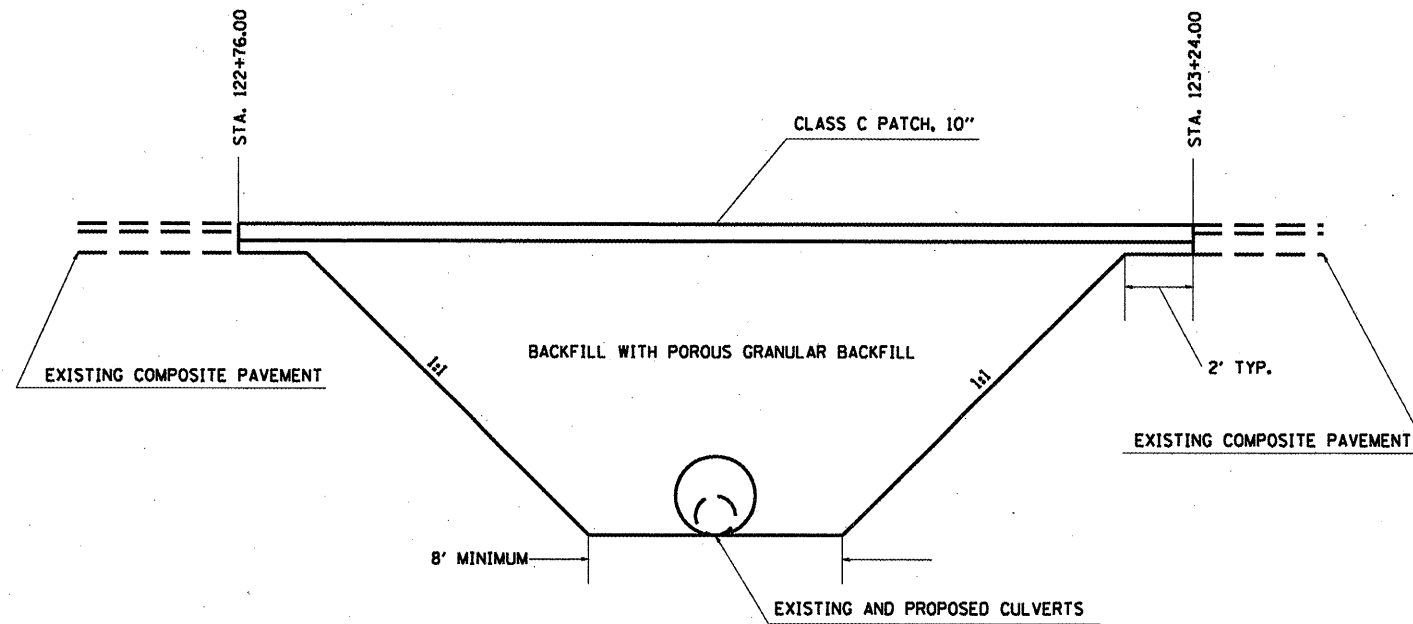


FRONT FACE



SECTION

## TYPICAL PROFILE VIEW OF CULVERT



REVISIONS

REDESIGNED	2-11-33
REVISED	2-11-33
REVISED	2-11-33
REVISED	2-11-33

STD. 9-27.

NOTE: THE STANDARD DETAIL FOR THE CAST IN PLACE END SECTION WILL HAVE TO BE ALTERED TO ALLOW THE BOTTOM PORTION OF THE FLAP GATE TO FUNCTION PROPERLY.

STATE OF ILLINOIS  
DEPARTMENT OF TRANSPORTATION

F.A.S. RTE.	SECTION	COUNTY	TOTAL SHEETS	SHEET NO.
2937	116(1-1)	PULASKI	7	6
CULVERT REPLACEMENT				
FED. ROAD DIST. NO. ILLINOIS FED. AID PROJECT				