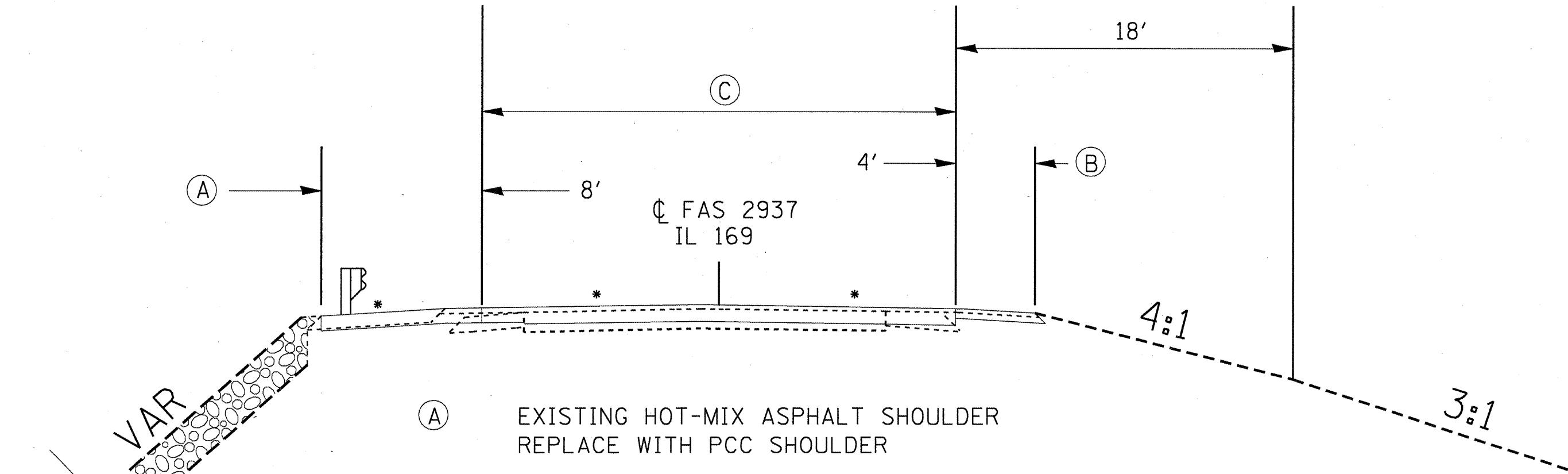


*MATCH EXISTING SLOPES

TYPICAL SECTION



- (A) EXISTING HOT-MIX ASPHALT SHOULDER
REPLACE WITH PCC SHOULDER
- (B) EXISTING AGGREGATE SHOULDER, TYPE B
REPLACE WITH AGGREGATE SHOULDER, TYPE B
- (C) EXISTING 24' HMA PAVEMENT
REPLACE WITH CLASS C PAVEMENT PATCH, 10"
- (D) EXISTING A4 RIPRAP WITH BEDDING STONE AND FILTER FABRIC
REPLACE WITH 22" OF STONE DUMPED RIPRAP A4.