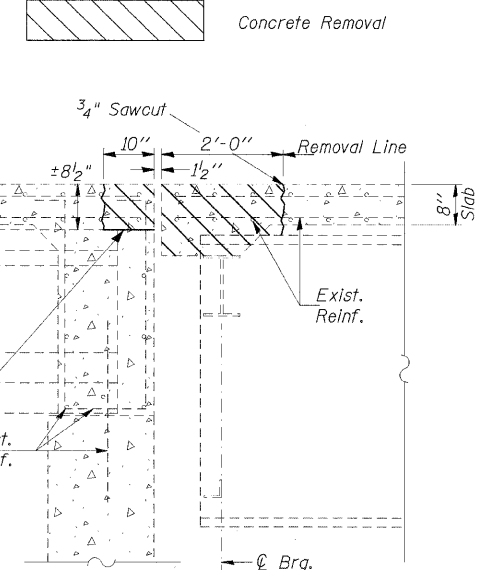
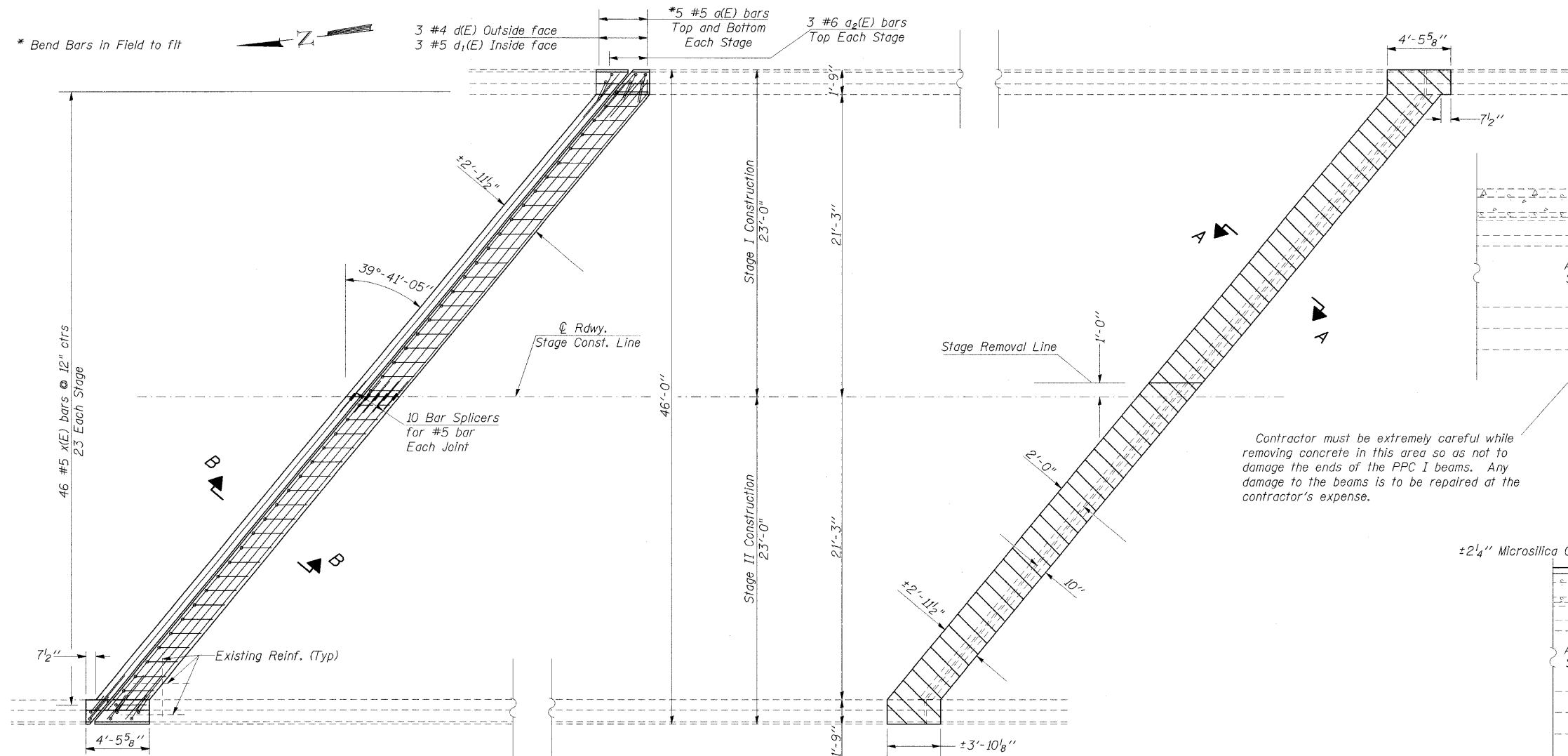
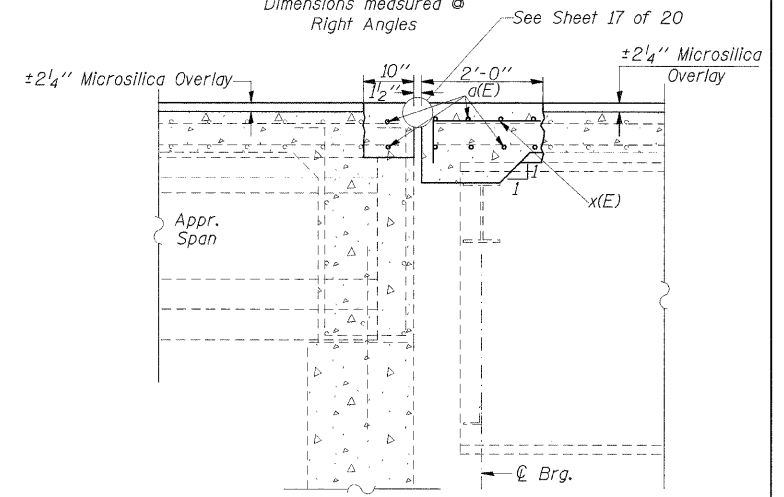


* Bend Bars in Field to fit



SECTION A-A
Dimensions measured @ Right Angles



SECTION B-B
Dimensions measured @ Right Angles

BILL OF MATERIAL (BOTH ABUTS)

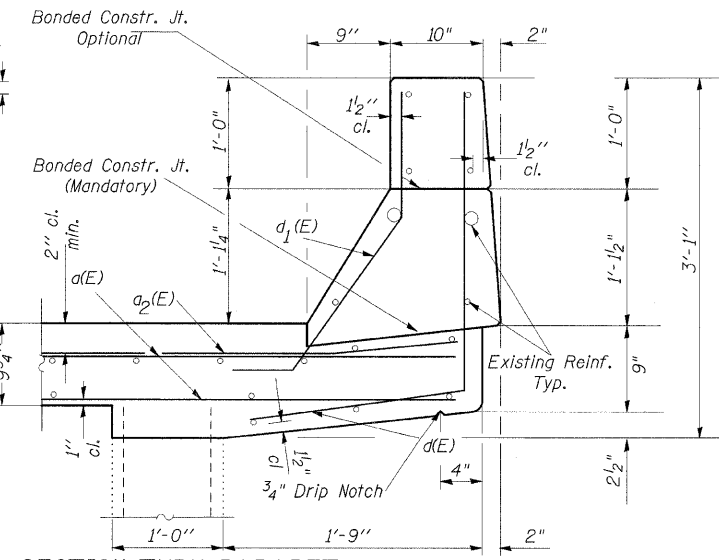
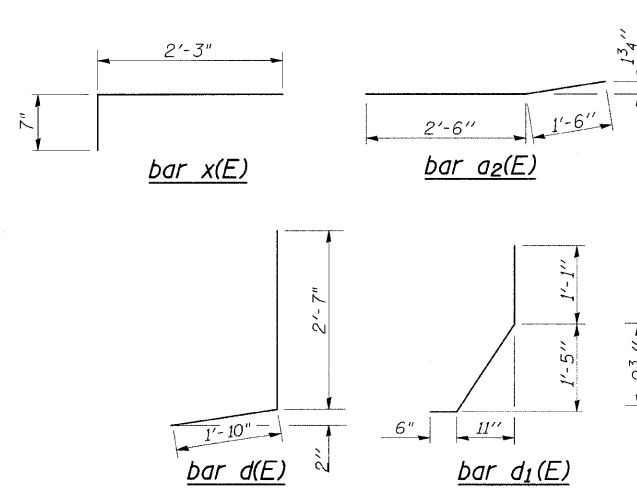
Bar No.	Size	Length	Shape
a(E)	#5	29'-3"	—
a2(E)	#6	4'-0"	—
d(E)	#4	4'-5"	J
d1(E)	#5	3'-3"	J
x(E)	#5	2'-10"	—
Concrete Superstructure		Cu. Yd.	14.2
Concrete Removal		Cu. Yd.	13.3
Reinforcement Bars, Epoxy Coated		Pound	1640

Reinforcement bars designated (E) shall be epoxy coated.

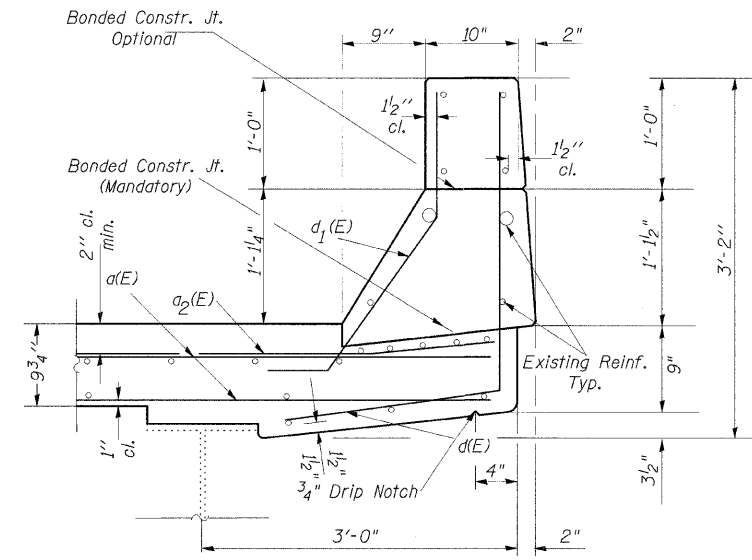
JOINT REPLACEMENT DETAILS
JOHNSON COUNTY
SN 044-0031

NORTH ABUT. PLAN
SHOWING NEW CONCRETE
South Abut. similar by 180° rotation

SOUTH ABUT. PLAN
SHOWING CONCRETE REMOVAL
North Abut. similar by 180° rotation



SECTION THRU PARAPET
Approach Section



SECTION THRU PARAPET
Deck Section

FILE NAME =	USER NAME = cornellm	DESIGNED -	REVISED -
c:\pw\work\p\100T\CORNELLM\dms47925\044-0031-bsmart.dgn		DRAWN -	REVISED -
PLOT SCALE = 1:5000 / IN.		CHECKED -	REVISED -
PLOT DATE = 2/27/2009		DATE -	REVISED -

STATE OF ILLINOIS
DEPARTMENT OF TRANSPORTATION

JOINT REPLACEMENT DETAILS
SN 044-0031

SCALE: SHEET NO. OF SHEETS STA. TO STA.

F.A.I. RTE.	SECTION	COUNTY	TOTAL SHEETS	SHEET NO.
24/57	D9 BSMART FY09-1	JOHNSON/PULASKI	20	15
CONTRACT NO. 78095				
FED. ROAD DIST. NO. ILLINOIS FED. AID PROJECT				