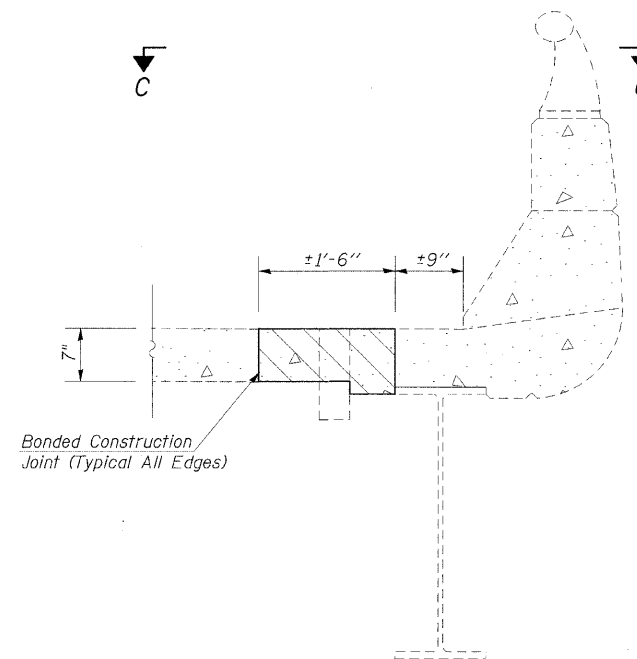
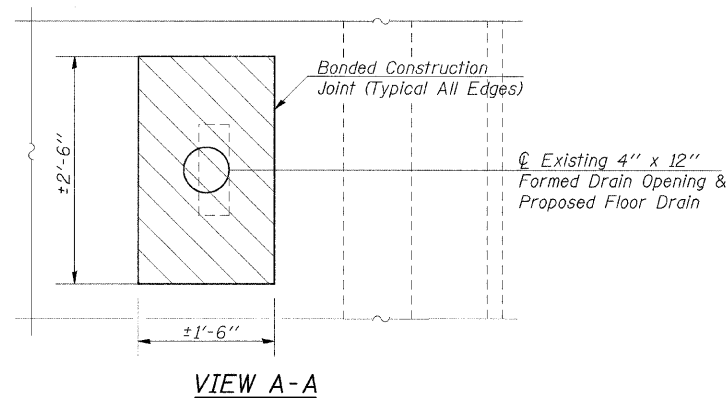


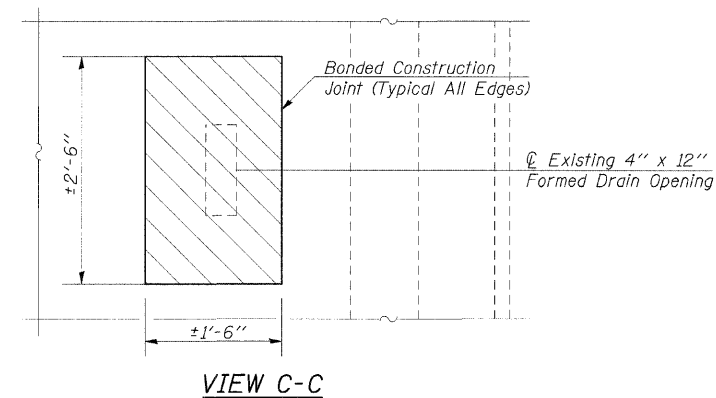
SECTION AT FLOOR DRAIN REPLACEMENT
(20 Locations)



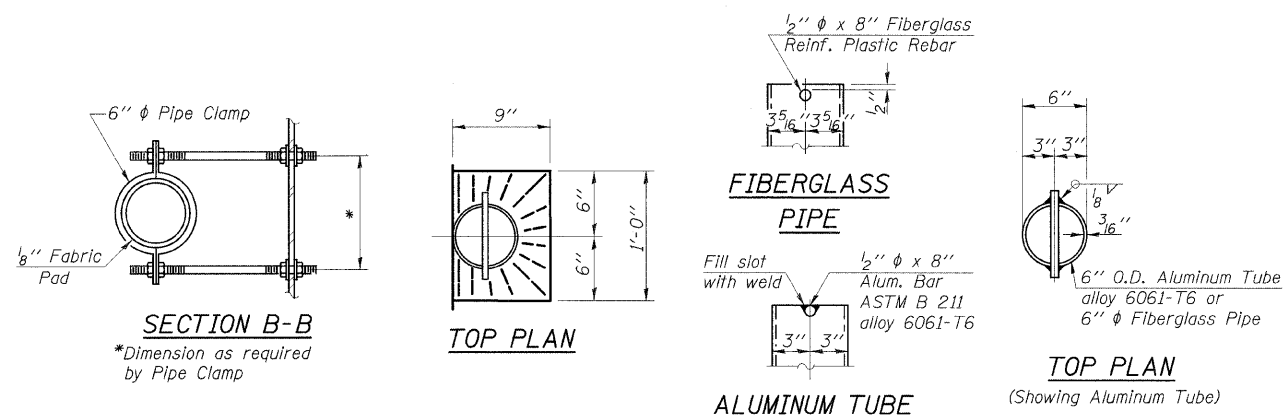
SECTION AT DRAIN ELIMINATION
(20 Locations)



VIEW A-A



VIEW C-C



Notes:

Hatched areas indicate concrete sections to be removed and replaced at new Floor Drains and Drain Elimination locations. Perimeters of concrete removal areas shall be saw cut 3/4" prior to the removal of concrete. Cost of concrete removal and concrete placement included in Deck Slab Repair (Full Depth, Type I).
See sheet 6 of 20 for locations of new Floor Drains and Drain Elimination.
The exterior surfaces of the floor drains shall be painted with the finish coat as specified in the special provisions for Cleaning and Painting New Metal Structures. The exterior surfaces of the drains shall be cleaned according to Society of Protective Coatings Spec. SSPC-SP1 prior to painting.
Fiberglass pipe shall conform to ASTM D 2996, with short-time rupture strength hoop tensile stress of 30,000 p.s.i. minimum.

BILL OF MATERIAL

Item	Unit	Total
Floor Drains	Each	20

FLOOR DRAIN DETAILS
STRUCTURE NO. 077-0027

FILE NAME =	USER NAME = cornellm	DESIGNED -	REVISED -	STATE OF ILLINOIS DEPARTMENT OF TRANSPORTATION	FLOOR DRAIN DETAILS SN 077-0027	F.A.I. RTE.	SECTION	COUNTY	TOTAL SHEETS	SHEET NO.	
c:\pwork\pwork\DOT\CORNELLM\dms47925\04-0031-bsmart.dgn	PLOT SCALE = 4.0000' / IN.	DRAWN -	REVISED -			24/57	D9 BSMART FY09-1	JOHNSON/PULASKI	20	7	
	PLOT DATE = 2/27/2009	CHECKED -	REVISED -			CONTRACT NO. 78095					
		DATE -	REVISED -			SCALE:	SHEET NO. OF SHEETS	STA. TO STA.	FED. ROAD DIST. NO. [ILLINOIS] FED. AID PROJECT		